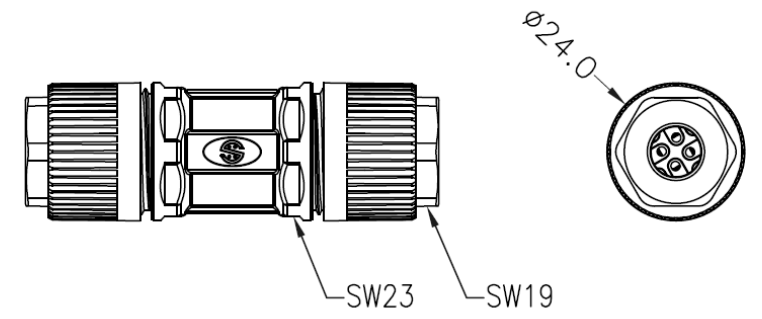
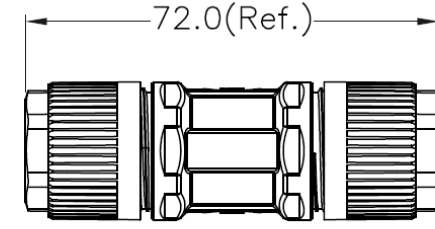
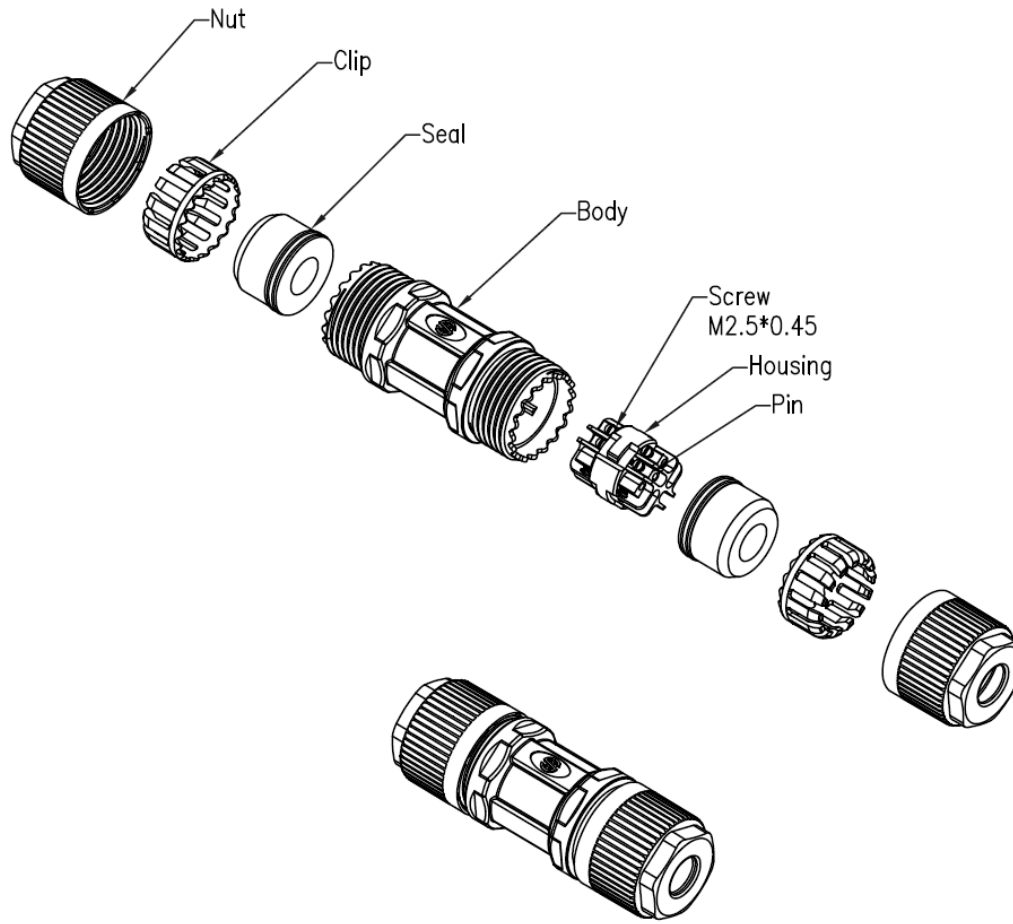
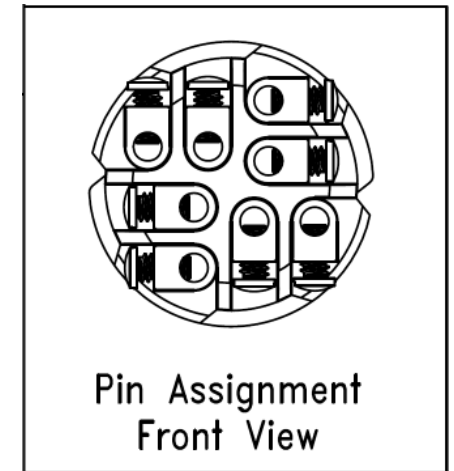


REVISIONS				REV	ZONE	ECO#	DESCRIPTION	DRAW	APPD	DATE
				A			INITIAL RELEASE	KC	-	



NOTES:

1. WATERPROOF RATE: IP68 (NO INGRESS OF DUST/PROTECTED AGAINST HARMFUL EFFECTS CAUSED IN 5 METER WATER WITHIN 30 MINUTES OF MATING)
2. TEMPERATURE RANGE: -25°C TO +85°C
3. CURRENT RATING: 7A MAX
4. CONDUCTOR RANGE: 18AWG~26AWG
5. CABLE DIAMETER: $\phi 6.5 \sim \phi 8.5 \text{mm}$
6. MATERIAL:
HOUSING: NYLON, BLACK
PIN: BRASS, NICKEL PLATED
SCREW: STEEL, NICKEL PLATED
7. SCREW TORQUE: 3.0 Kgf. cm MIN
8. NUT TORQUE: 19.6 Kgf. cm MIN
9. ONE SET UNASSEMBLED IN ONE PE BAG



NOTE: CAD GENERATED DRAWING DO NOT UPDATE MANUALLY.

2A589		A		NTS		SHEET 1 OF 1	
CABLE JOINER, ASSY, 8PIN				PART NUMBER IPJNR-08-SRFT			
UNLESS OTHERWISE SPECIFIED, DIMENSIONS ARE IN MM TOLERANCE EXCEPT AS NOTED: ANGULAR ± ° DECIMAL .XX ± .XX DECIMAL .X ± .X DECIMAL .XXX ± .XXX				THIRD ANGLE PROJECTION			
DATE: 8/23/2019		REV: A		DRAWN: KC		APPD: -	

SURE-SEAL
2180 Hornig Road, Philadelphia, PA 19116

NOTICE OF CONFIDENTIALITY
THIS DRAWING IS THE PROPERTY OF PEI-GENESIS. ALL RIGHTS RESERVED. REPRODUCTION BY ANY MEANS OR DISTRIBUTION TO THIRD PARTIES IS STRICTLY PROHIBITED WITHOUT THE WRITTEN PERMISSION OF AN AUTHORIZED AGENT OF PEI-GENESIS.