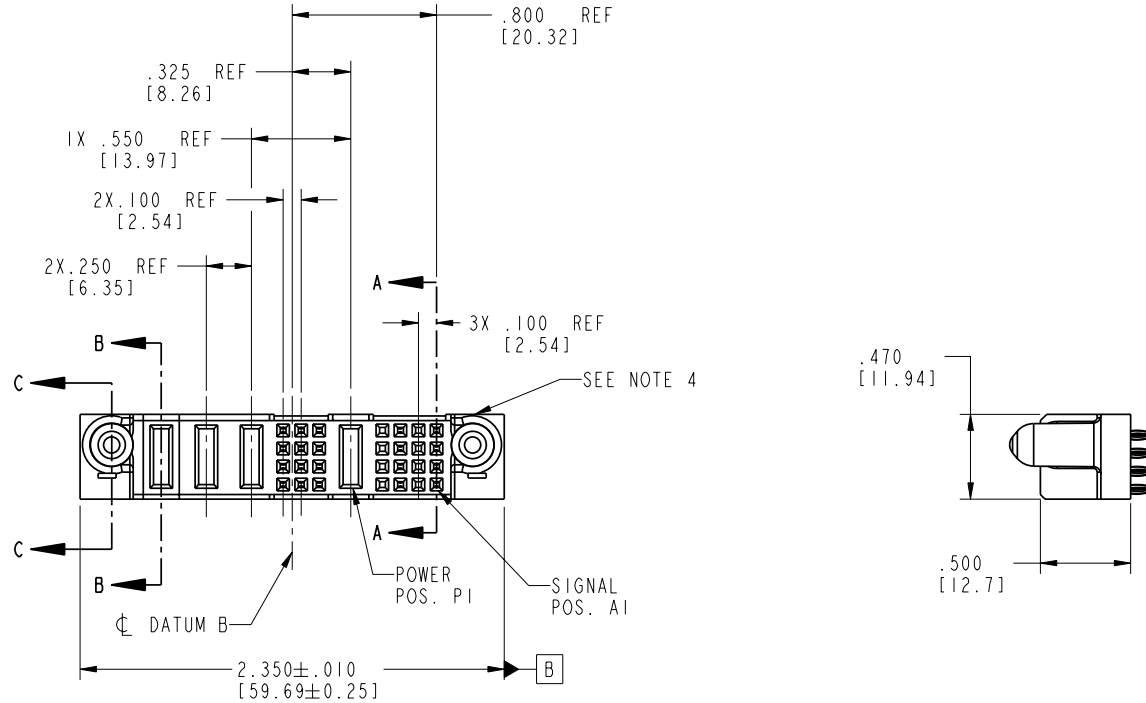


Tous droits strictement réservés. Reproduction ou communication o des tiers interdite sous quelque forme que ce soit sans autorisation écrite du propriétaire. Propriété de c FCI. Droits de reproduction FCI.



All rights strictly reserved. Reproduction or issue to third parties in any form without is not permitted without written authority from the proprietor. Property of FCI. Copyright FCI.

PRODUCT NO.	ROWS	POWER			SIG			PWR			SIG			E1
		E2	P4	P3	P2	7	6	5	P1	4	3	2	1	
51940-125-- NOTE 3	D C A		PF	PC	PC	FFF	FFF	FFF	PC	FFF	FFF	FFF		



CODE	DIM "M" MATING LENGTH	CONTACT TYPE
PC	.042 [1.07]	POWER
F	N/A [N/A]	SIGNAL
PF	.092 [2.34]	POWER
X	OMITTED	OMITTED

mat'l code				SEE NOTE 2		tolerances unless otherwise specified		CUSTOMER		FCI	
lir	ecn no.	dr	date	linear	.XX±.01/0.X±0.3	COPY		www.fciconnect.com			
A	DG05-0029	SLUO	3/9/05		.XXX±.005/0.XX±0.13	projection		title 16S+1P+12S +3P			
B	DG05-0057	SLUO	3/24/05		.XXX±.002/0.XXX±0.051			VERTICAL PF RECEPT			
C	DG06-0181	RYAN	05/12/06	angles	0° ± 2°	INCH/MM		product family PwrBlade		code 213	
				dr	SLUO 3/9/05	scale 1:1		size A		dwg no 51940-125	
				engr	M. MOSTOLLER mm/dd/yy					sheet 1 of 4	
				chr	VICTOR LIN 3/9/05						
				appd	JOSEPH HSIA 3/9/05						
sheet index	revision	C	C	C	C						
	sheet	1	2	3	4						

cage code 22526

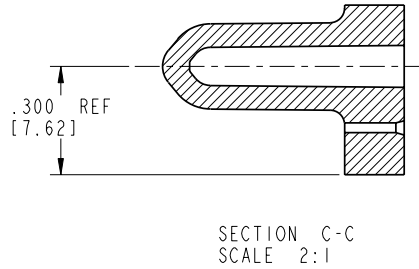
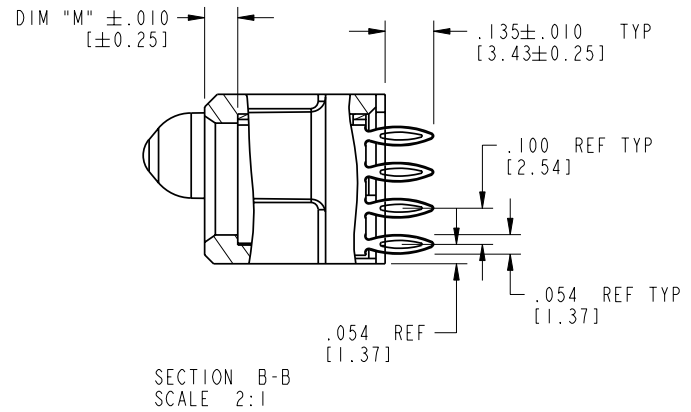
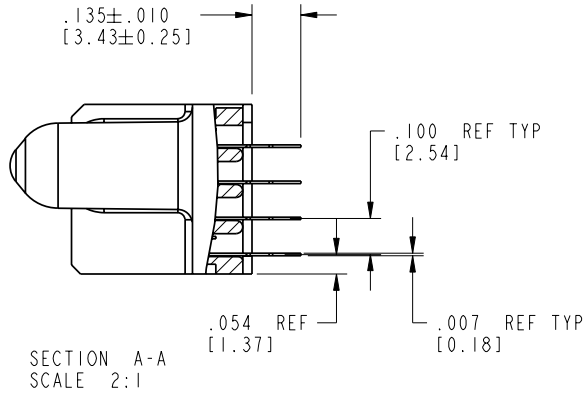
Pro/E

Tous droits strictement reserves. Reproduction ou communication a des tiers interdite sous quelque forme que ce soit sans autorisation écrite du propriétaire. Propriete de c FCI. Droits de reproduction FCI.



All rights strictly reserved. Reproduction or issue to third parties in any form whatever is not permitted without written authority from the proprietor. Property of FCI. Copyright FCI.

PRODUCT NUMBER
51940-125--
NOTE 3



mat'l code SEE NOTE 2				tolerances unless otherwise specified		CUSTOMER		FCI	
lfr	ecn no.	dr	date	linear	.XX±.01/0.X±0.3	COPY		www.fciconnect.com	
B				linear	.XXX±.005/0.XX±0.13	projection	title 16S+1P+12S +3P VERTICAL PF RECEPT		
				linear	.XXX±.002/0.XXX±0.051				
				angles	0°±2°				
				dr	SLUO 3/9/05	INCH/MM	product family	PwrBlade	code
				engr	M. MOSTOLLER mm/dd/yy	scale	size	dwg no	213
				chr	VICTOR LIN 3/9/05	1:1	A	51940-125	sheet
				appd	JOSEPH HSIA 3/9/05				2 of 4
sheet index	revision sheet								

cage code 22526

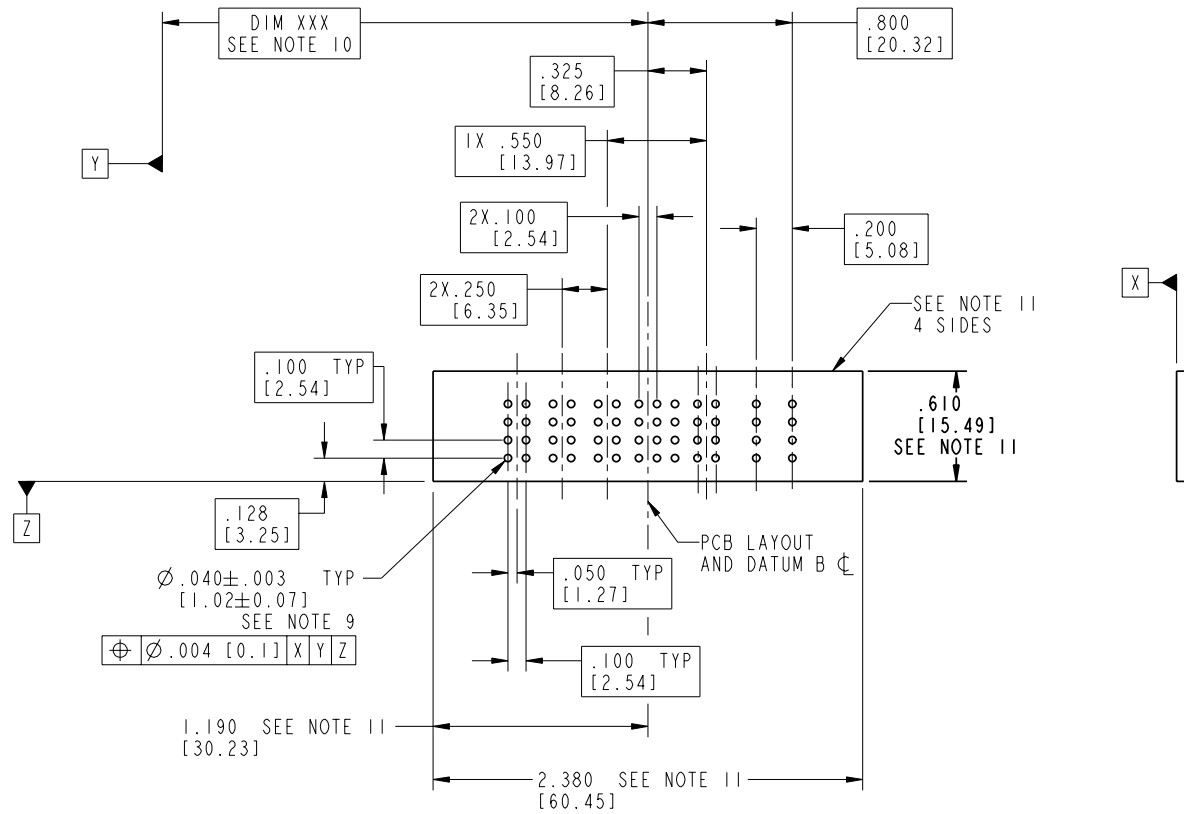
Pro/E

Tous droits strictement reserves. Reproduction ou communication a des tiers interdite sous quelque forme que ce soit sans autorisation écrite du propriétaire. Propriete de c FCI. Droits de reproduction FCI.



All rights strictly reserved. Reproduction or issue to third parties in any form whatever is not permitted without written authority from the proprietor. Property of FCI. Copyright FCI.

PRODUCT NUMBER
51940-125--
NOTE 3



mat'l code				SEE NOTE 2	tolerances unless otherwise specified		CUSTOMER	FCI
lfr	ecn no.	dr	date	linear	.XX±.01/0.X±0.3	COPY	www.fciconnect.com	
B				angles	.XXX±.005/0.XX±0.13	projection	title	
				dr	.XXX±.002/0.XXX±0.051		16S+1P+12S +3P	
				enr		INCH/MM	VERTICAL PF RECEPT	
				chr	M. MOSTOLLER mm/dd/yy	scale	product family	
				appd	VICTOR LIN 3/9/05	1:1	PwrBlade	
					JOSEPH HSIA 3/9/05		code	
sheet index	revision sheet						size	
							dwg no	
							51940-125	
							213	
							3 of 4	

cage code 22526

Tous droits strictement réservés. Reproduction ou communication à des tiers interdite sous quelque forme que ce soit sans autorisation écrite du propriétaire. Propriété de c FCI. Droits de reproduction FCI.



All rights strictly reserved. Reproduction or issue to third parties in any form without written authority from the proprietor. Property of FCI. Copyright FCI.

PRODUCT NUMBER
51940-125--
NOTE 3

NOTES:

1. DIMENSIONS AND TOLERANCES ARE IN ACCORDANCE WITH ASME Y14.5M, 1994 UNLESS OTHERWISE SPECIFIED.

CONNECTOR NOTES:

- 2 HOUSING MATERIAL: UL 94 V-0 GLASS FILLED
HIGH-TEMP THERMOPLASTIC
POWER CONTACT MATERIAL: COPPER ALLOY
SIGNAL PIN MATERIAL: COPPER ALLOY
- 3. PLATING:
SEE PRINT 10064183 FOR PLATING SPEC OF 51940-125; 51940-125LF
- 4 MANUFACTURER'S NAME, P/N, AND DATE CODE TO APPEAR ON THIS SURFACE.
- 5. PRODUCT SPECIFICATION GS-12-149.
APPLICATION SPECIFICATION BUS-20-067.
- 6. PACKAGED IN TRAYS.
PCB NOTES:
7. ALL HOLE DIAMETERS ARE FINISHED HOLE SIZE.
- 8 MOUNTING HOLES, WHERE APPLICABLE, ARE UNPLATED.
- 9 $\varnothing .0453 \pm .0010$ [1.151 \pm 0.025] DRILLED HOLES PLATED WITH .0003 [0.008] MIN SnPb OVER .001 [0.03] TO .003 [0.08] Cu PLATING TO ACHIEVE $\varnothing .040 \pm .003$ [1.02 \pm .07] HOLE.
- 10 "DIM XXX" TO BE DETERMINED BY THE CUSTOMER.
- 11 CONNECTOR KEEP-OUT ZONE.

mat'l code				SEE NOTE 2		tolerances unless otherwise specified		CUSTOMER		FCI	
lfr	ecr no.	dr	date	linear	.XX±.01/0.X±0.3	COPY		www.fciconnect.com		title	
B					.XXX±.005/0.XX±0.13	projection		16S+1P+12S +3P		VERTICAL PF RECEPT	
				angles	.XXX±.002/0.XXX±0.051			product family		PwrBlade	
				dr	0° ± 2°	INCH/MM		size		213	
				engr	SLUO 3/9/05	scale		A		sheet	
				chr	M. MOSTOLLER mm/dd/yy	1:1		51940-125		4 of 4	
				appd	VICTOR LIN 3/9/05						
					JOSEPH HSIA 3/9/05						
sheet index	revision sheet										

cage code 22526

Pro/E