

LOC	DIST	REVISIONS			
P	LTR	DESCRIPTION	DATE	DNW	APVD
A		RELEASED	14FEB2006	RG	PD

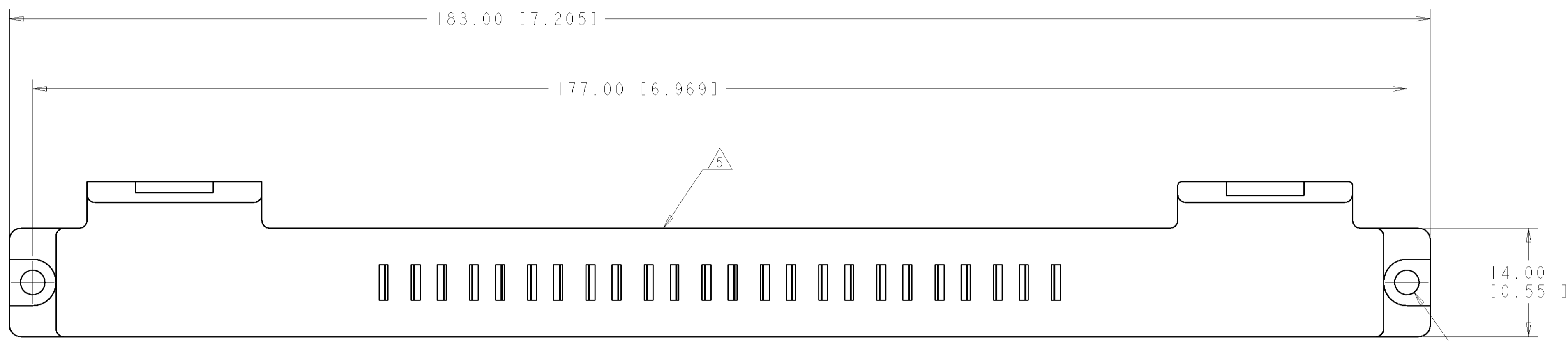
- PART NUMBER CHANGES AND OR DESIGN CHANGES AFFECTING ITEM INTERCHANGEABILITY REQUIRE PRIOR TYCO APPROVAL AND AUTHORIZATION BY REVISION TO THIS DRAWING.
- MATERIAL:
 INSULATORS - THERMOPLASTIC, GLASS REINFORCED, COLOR: BLACK, UL94V-0 FLAMMABILITY RATED.
 POWER CONTACTS - PHOSPHOR BRONZE ALLOY, COPPER ALLOY
 SOLDER SIGNAL PINS-BRASS ALLOY
 CROWN BAND-BERYLLIUM COPPER ALLOY

- FINISH:
 CONTACTS - GOLD PLATE .000030 INCH MIN. THK., OVER NICKEL .000050 INCH MIN. THK
 SOLDER TAILS, TIN .000100 INCH MIN. THK. OVER NICKEL .000040 MIN THK.

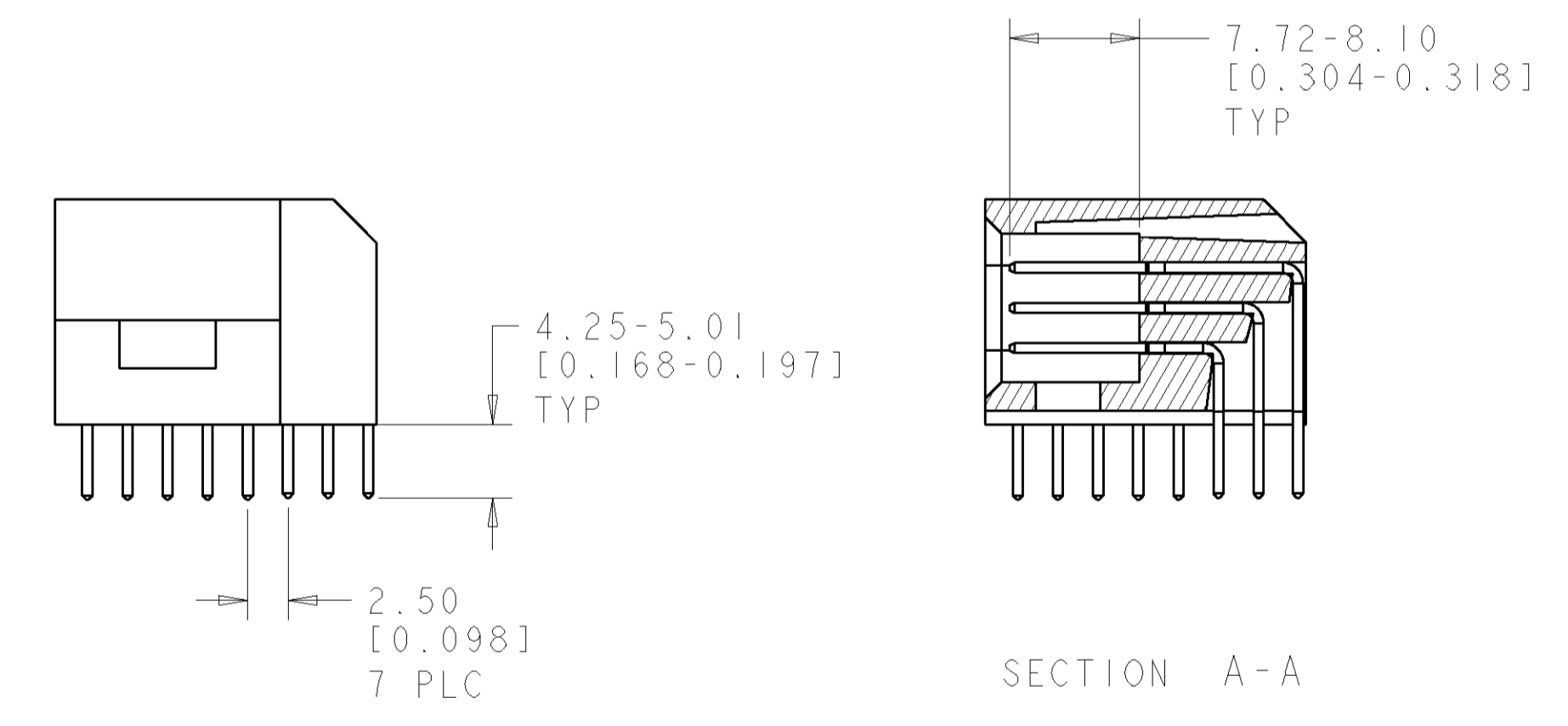
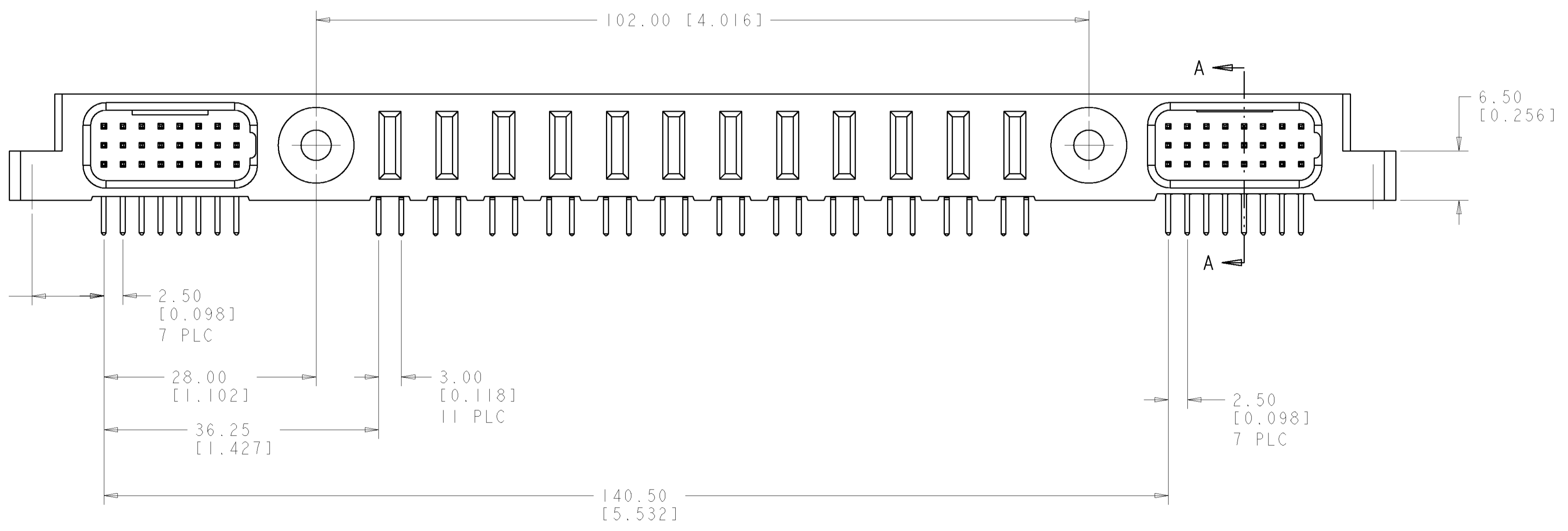
- MOUNTING FLANGES ACCEPT M3 OR #4-40 SCREWS, (USER SUPPLIED)
- ITEMS PROVIDED TO THIS SPECIFICATION TO BE PERMANENTLY IDENTIFIED PER THE FOLLOWING IDENTIFIER LABEL

YEAR WEEK
 TYCO PART NO. DATE CODE (e.g. 0106)
 XXXXXXXX-X XXXX

- REFERENCE ELCON SERIES 279-0273-10100



Ø3.00 [0.118] MIN
 (CLEARANCE HOLE)



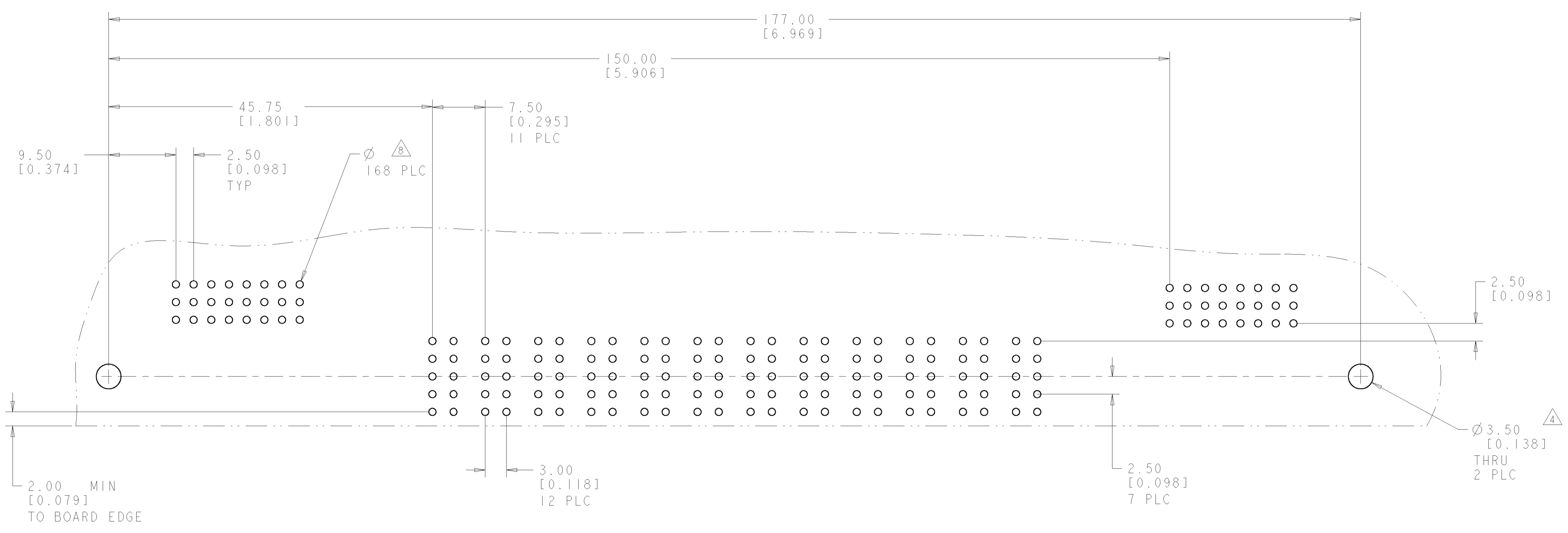
ELCON FLATPAQ

AS SHOWN	6646727-1
DESCRIPTION	PART NUMBER

DIMENSIONS: mm [INCHES]		TOLERANCES UNLESS OTHERWISE SPECIFIED: 0 PLC ±.3 [1.012] 1 PLC ±.15 [0.006] 2 PLC ±.15 [0.006] 3 PLC ±.15 [0.006] 4 PLC ±.15 [0.006] ANGLES ±.5		DWN R. GRZYBOWSKI 19APR06 ENR S. FLICKINGER 19APR06 APVD S. FLICKINGER 19APR06		Tyco Electronics Harrisburg, PA 17105-3608	
MATERIAL -		FINISH -		WEIGHT -		NAME PIN CONNECTOR, RIGHT ANGLE, SOLDER TAILS	
CUSTOMER DRAWING		SCALE 3:1		SHEET 1 OF 3		REV A	

LOC	DIST	REVISIONS			
P	LTR	DESCRIPTION	DATE	DRN	APVD
-	-	SEE SHEET 1	-	-	-

CONNECTOR	EQUIVALENT CATALOG MODULE #	SIZE NO.	CONTACT QTY	MATING PIN	MAX. CURRENT (PER CONTACT)	CONTACT SPACING	VOLTAGE RATING
PIN	DEDICATED HOUSING	POWER	8	12	1.25 X 7.00 [.049 X .276]	7.50 [.2953]	250 VOLTS
		SIGNAL	22	48	.64 [.025] SQ.	2.50 [.0984]	125 VOLTS
		LEFT MOUNTING FLANGE					
		RIGHT MOUNTING FLANGE					

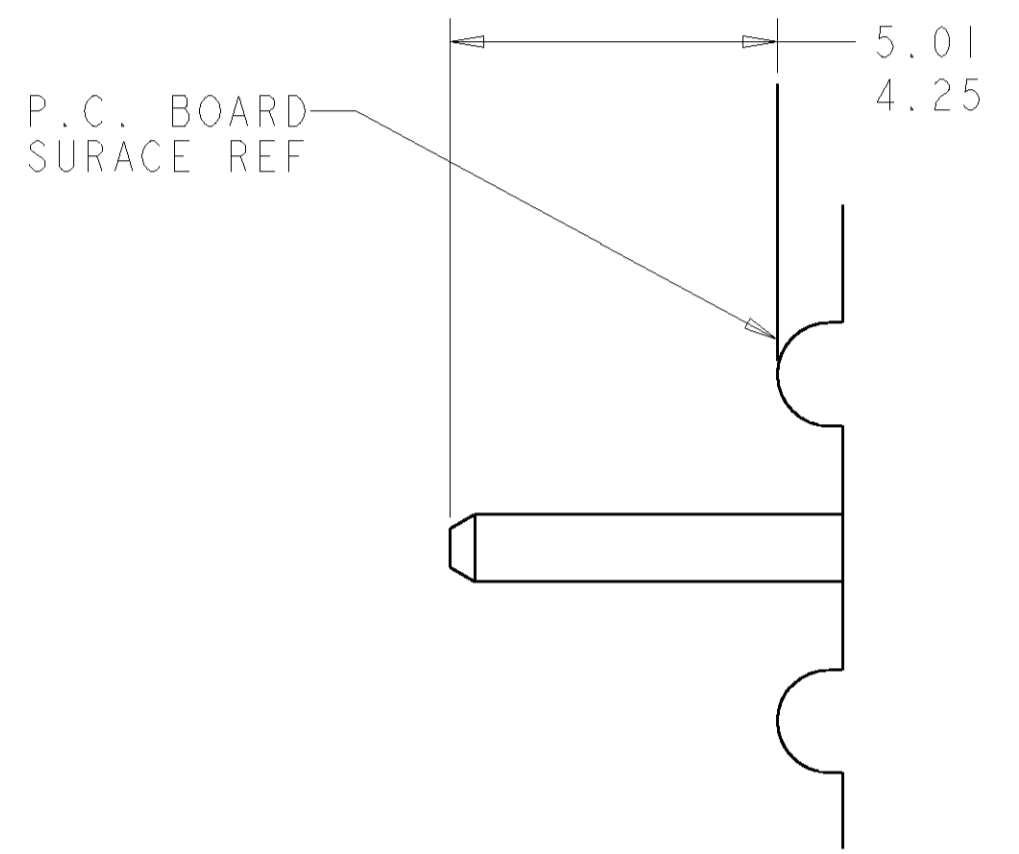


PRINTED CIRCUIT LAYOUT
 COMPONENT SIDE

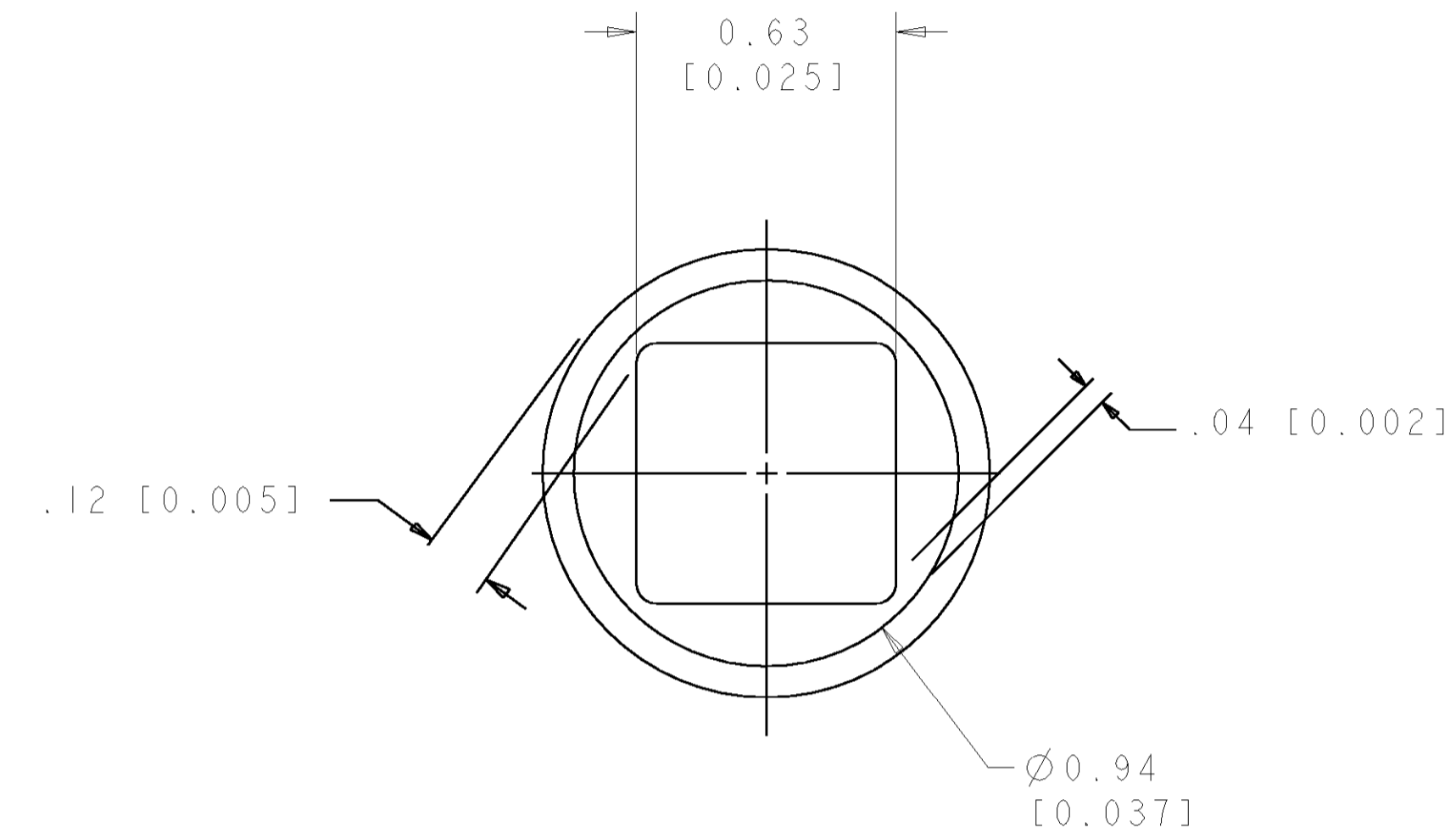
ELCON FLATPAQ

<small>THE DIMENSIONS TO DIMENSIONS SHOWN ON THIS DRAWING ARE GOVERNED BY THE DIMENSIONS OF THE PARTS MANUFACTURED BY THE SUPPLIER AND THE DIMENSIONS OF THE PARTS MANUFACTURED BY THE CUSTOMER. THE DIMENSIONS OF THE PARTS MANUFACTURED BY THE CUSTOMER SHALL BE CONTACTED FOR THE LATEST POSITION.</small>		DRN: B. GRZYBOWSKI 19APR06 CHK: S. FLICKINGER 19APR06 APVD: S. FLICKINGER 19APR06	tyco Tyco Electronics Harrisburg, PA 17105-3608
DIMENSIONS: mm [INCHES] 	TOLERANCES UNLESS OTHERWISE SPECIFIED: 0 PLC ±.3 [.012] 1 PLC ±.15 [.006] 2 PLC ±.15 [.006] 3 PLC ±.15 [.006] 4 PLC ±.15 [.006] ANGLES ±.5	NAME: PIN CONNECTOR, RIGHT ANGLE, SOLDER TAILS PRODUCT SPEC: - APPLICATION SPEC: - WEIGHT: - CUSTOMER DRAWING: -	SIZE: A 00779 C=6646727 SCALE: 3:1 SHEET 2 OF 3 REV A

LOC	DIST	REVISIONS			
P	LTR	DESCRIPTION	DATE	DWN	APVD
-	-	SEE SHEET 1	-	-	-



7. SOLDER PIN DETAIL
SCALE 10 : 1



△ SOLDER TERMINATION AREA
 SCALE 40:1
 RECOMMENDED PRINTED CIRCUIT SOLDER HOLE
 FINISHED HOLE: Ø1.02 [.040] ±.008 [.0003]
 DRILLED HOLE: Ø1.15 [.0453] ±.013 [.0005]
 COPPER PLATE: .025 [.0010] MIN.
 TIN PLATE: .008 [.0003] MIN. (PER SURFACE)

<small>THIS DRAWING IS UNPUBLISHED. RELEASED FOR PUBLICATION. IF IT IS DRANGED TO CHANGE THE ORGANIZATION OR THE ORGANIZATION SHOULD BE CONTACTED FOR THE LATEST EDITION.</small>		DWN R. GRZYBOWSKI 19APR06 CHK S. FLICKINGER 19APR06 APVD S. FLICKINGER 19APR06	tyco Tyco Electronics Harrisburg, PA 17105-3608 Electronics
DIMENSIONS: mm [INCHES]	TOLERANCES UNLESS OTHERWISE SPECIFIED: 0 PLC ±. 1 PLC ±.3 [.012] 2 PLC ±.15 [.006] 3 PLC ±0.000 4 PLC ±0.0000 ANGLES ±.5 FINISH -	NAME S. FLICKINGER PRODUCT SPEC - APPLICATION SPEC - WEIGHT - CUSTOMER DRAWING	PIN CONNECTOR, RIGHT ANGLE, SOLDER TAILS SIZE CAGE CODE DRAWING NO A100779C=6646727 RESTRICTED TO - SCALE 3:1 SHEET 3 OF 3 REV A