

THIS DRAWING IS UNPUBLISHED.

RELEASED FOR PUBLICATION SEP ,2005.

© COPYRIGHT 2005 By -

ALL RIGHTS RESERVED.

LOC	DIST	REVISIONS					
E	B	P	LTR	DESCRIPTION	DATE	DWN	APVD
		D		ECO-15-008351	12JUN2015	RZ	RS

NOTES:

1 SINGLE PACKING: ONE CONNECTOR PER LABELED BAG PACKAGED. LABELED PER TEC-107-115

2 TRAY PACKAGED

3 Ag PLATING

4 THIS ITEM MUST BE WHITE

5. HAND TOOL: 9-1478240-0

6. DIE SET: 9-1478242-0

7. ELECTRICAL CHARACTERISTICS

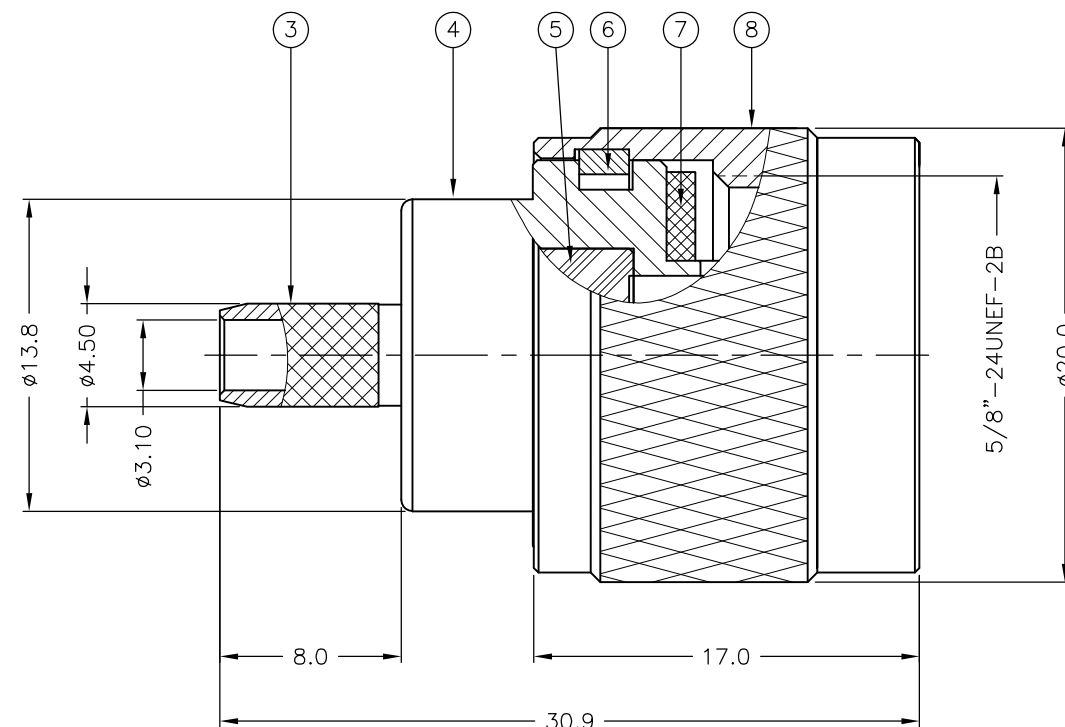
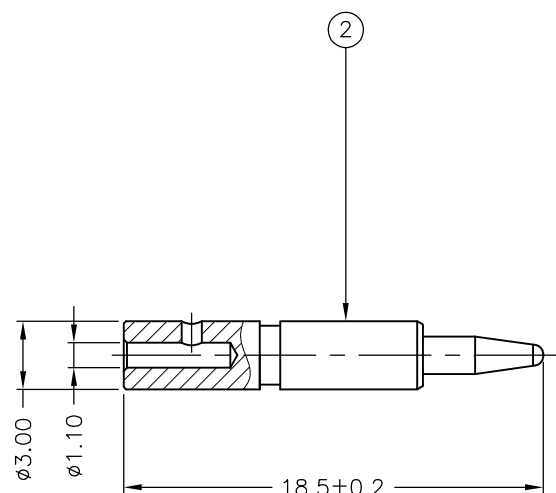
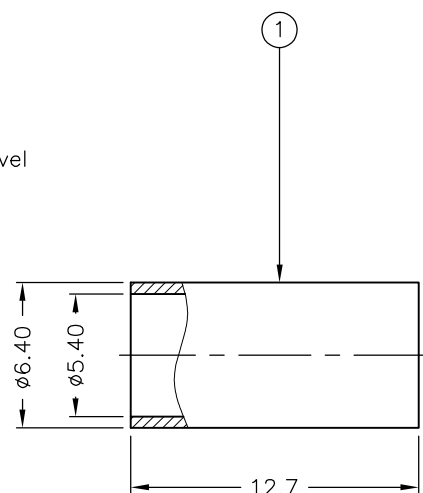
FREQUENCY RANGE:	DC - 11 GHz
NOMINAL IMPEDANCE:	50 Ohm
INSULATION RESISTANCE:	5000 MOhm
WORKING VOLTAGE:	1000 Volts RMS at Sea Level
DIELECTRIC WITHSTAND VOLTAGE:	2500 Volts RMS Max
CONTACT RESISTANCE:	
CENTER CONTACT:	1.00 mOhm Max
OUTER CONTACT:	1.00 mOhm Max
VSWR @ 4GHz:	1.30:1 Max
INSERTION LOSS dB @ x 4 GHz:	0.30 Max

8. MECHANICAL CHARACTERISTICS

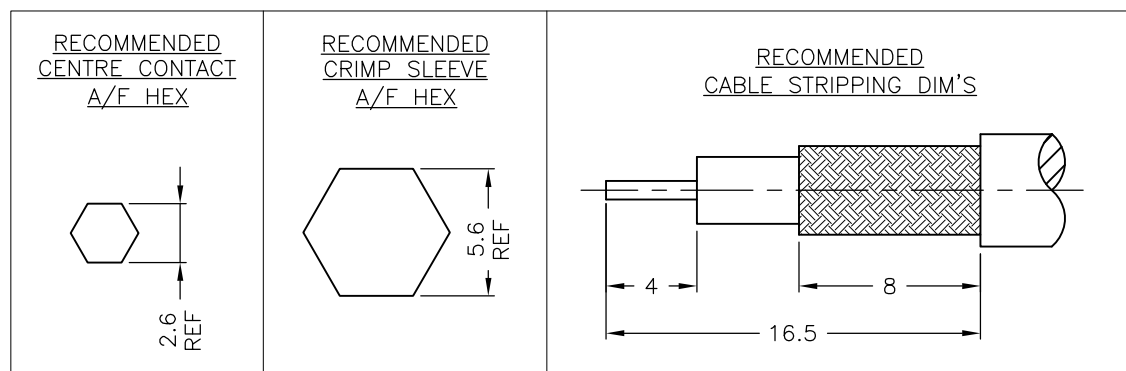
COUPLING NUT RETENTION FORCE:	445N Min
CABLE RETENTION FORCE:	128N Min
DURABILITY:	500 Cycles Min

9. ENVIRONMENTAL CHARACTERISTICS

OPERATING TEMPERATURE: -65 to +165 DegC



QTY	PLC	QTY	MATERIAL	DESCRIPTION	ITEM
1	1		BRASS	SHELL	8
1	1		SILICON RUBBER	GASKET	7
1	1		PHOSPHOR BRONZE	CIRCLIP	6
1	1		PTFE	INSULATION	5
1	1		BRASS	BODY	4
1	1		BRASS	CHASSIS	3
1	1		BRASS	CONTACT	2
1	1		BRASS	FERRULE	1
6--0	1--0		MATERIAL	DESCRIPTION	ITEM
2	1				



THIS DRAWING IS A CONTROLLED DOCUMENT.		DWN J.SANDWELL 21SEP05	TE Connectivity		
DIMENSIONS: mm		CHK S.PARLOW 21SEP05			
TOLERANCES UNLESS OTHERWISE SPECIFIED:		APVD F.WHEELER-KING 21SEP05	NAME TYPE-N STRAIGHT PLUG CRIMP 50 OHM RG58C/U, 141A/U, URM43, 76, Belden 9907, KX15		
0 PLC ± -		PRODUCT SPEC	APPLICATION SPEC		
1 PLC ± 0.5		411-3247		SIZE	RESTRICTED TO
2 PLC ± 0.1		WEIGHT -		CAGE CODE	
3 PLC ± -		CUSTOMER DRAWING		DRAWING NO	
4 PLC ± -		SCALE NTS		SHEET	REV
ANGLES ± -		A3 00779		1 OF 1	D
FINISH SEE TABLE		G-1337416			