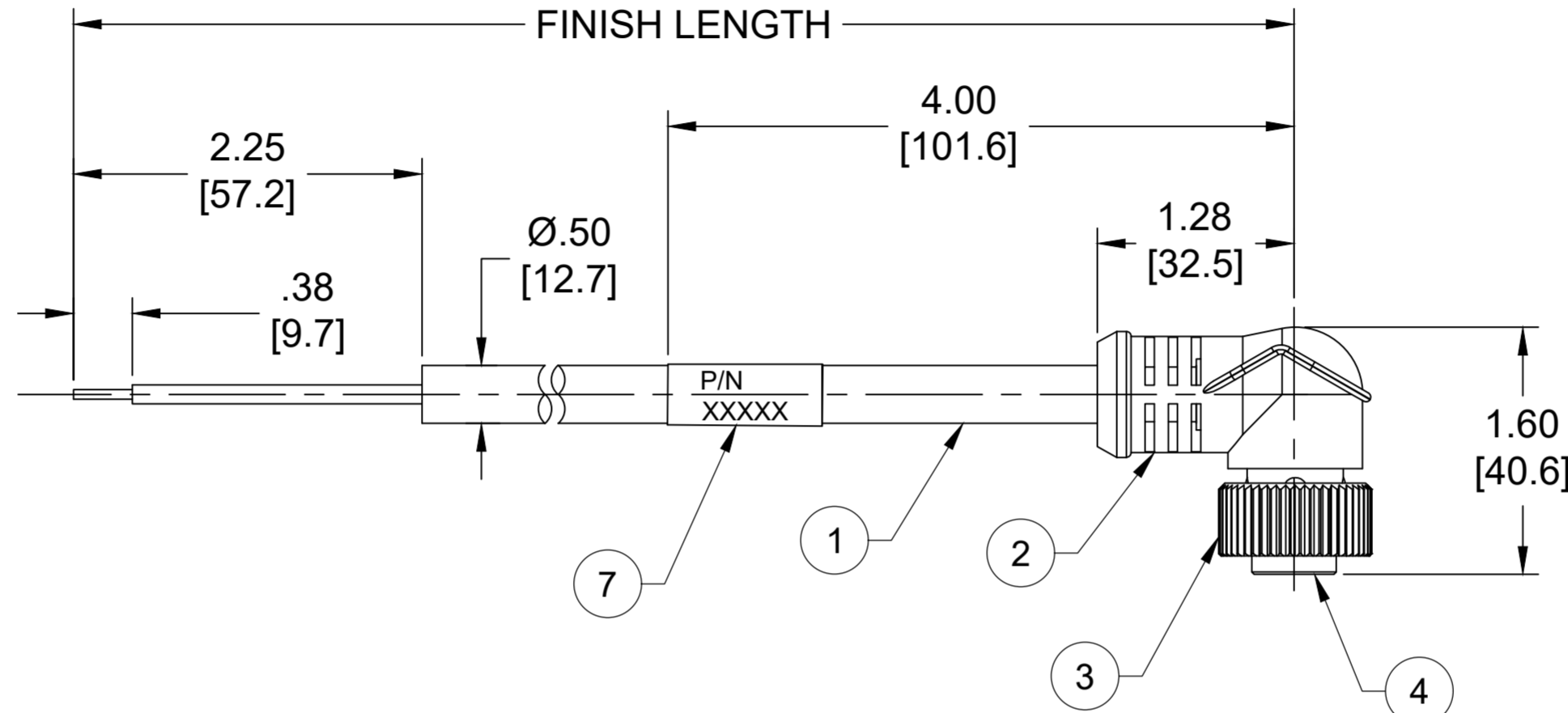
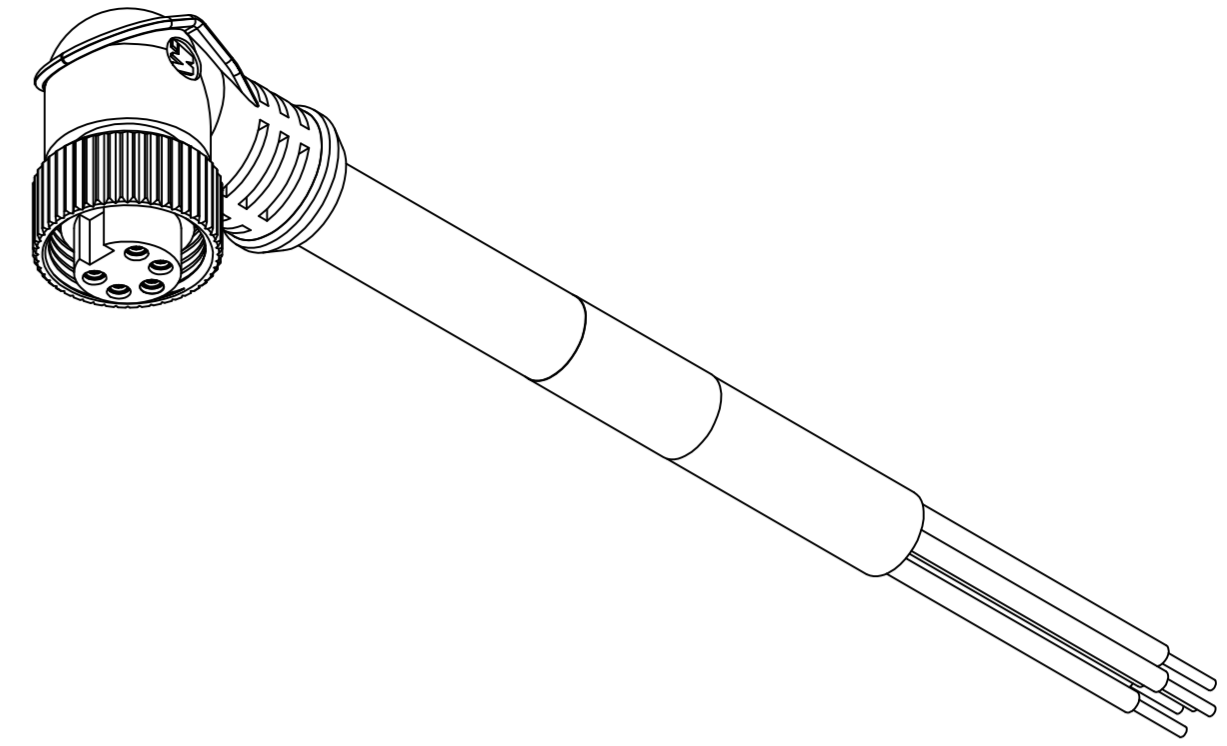


PART NO.	ENGINEERING NO.	FINISHED LENGTH
1300061346	105001A01F030	3FT [0.9M]
1300061356	105001A01F150	15FT [4.6M]
1300061367	105001A01F300	30FT [9.1M]

PART NUMBER LEGEND

105001A01F030

CABLE LENGTH
 F050 = 5 FEET
 F100 = 10 FEET
 F150 = 15 FEET

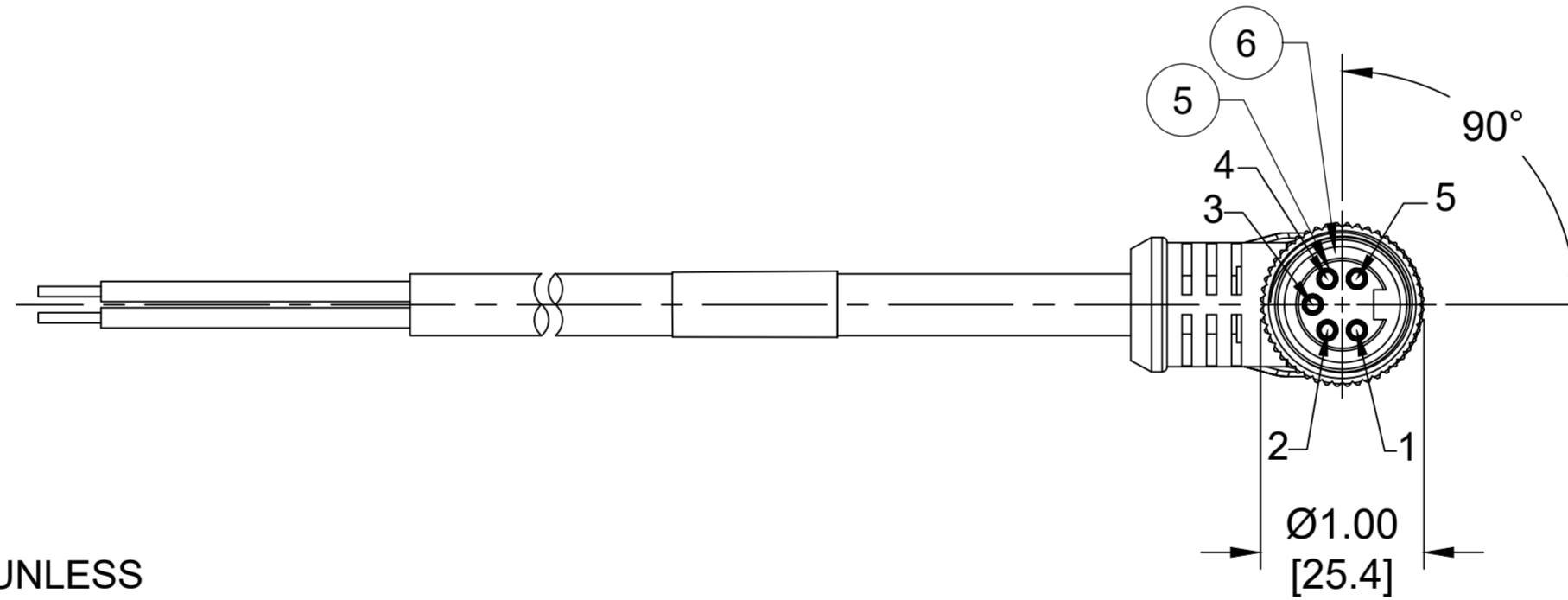


NOTES:

- MATERIAL: AS NOTED
- FINISH: AS NOTED
- ELECTRICAL:
 VOLTAGE : 400V PER IEC 60664
 600V PER UL 2238
 CURRENT: 8A
- TEMP RATING: -20° TO +105°C
- PROTECTION: IP67 (WHEN MATED)
- COUPLING THREAD: 7/8"-16UN
- UL RECOGNIZED FILE: E152210
 CSA CERTIFIED FILE: LR6837
- ALL DIMENSIONS ARE FOR REFERENCE UNLESS TOLERANCED OR NOTED OTHERWISE

	S1
WHITE	1
RED	2
GREEN/YELLOW-GND	3
ORANGE	4
BLACK	5

WIRING DIAGRAM



FEMALE FACE VIEW

CABLE LENGTH TOLERANCES
<.3M [1FT]: +19mm-0 [+.75in-0]
.3 - .9M [1 - 3FT]: +44.5mm-0 [+1.75in-0]
.9 - 1.8M [3 - 6FT]: +55.6mm-0 [+2.19in-0]
1.8 - 3.7M [6 - 12FT]: +88.9mm-0 [+3.50in-0]
3.7 - 7.3M [12 - 24FT]: +165.1mm-0 [+6.50in-0]
7.3-14.6M [24 - 48FT]: +317.5mm-0 [+12.50in-0]
14.6 - 30.5M [48-100FT]: +622.3mm-0 [+24.50in-0]
OVER 30M [100FT] +2% OF FINISHED LENGTH

ITEM	COMPONENT	MATERIAL	FINISH
7	WRAP LABEL	VINYL	BLACK/YELLOW
6	FRICTION RING	NYLON	WHITE
5	CONTACT SOCKET	COPPER ALLOY	GOLD OVER NICKEL
4	INSERT	TPE	YELLOW
3	COUPLING NUT	ZINC DIE CAST	BLACK-E-COAT
2	OVERMOLD	TPE	YELLOW
1	CABLE, 16AWG STOOW/ST	PVC	YELLOW

FUNCTIONAL SYMBOLS				THIS DRAWING CONTAINS INFORMATION THAT IS PROPRIETARY TO MOLEX ELECTRONIC TECHNOLOGIES, LLC AND SHOULD NOT BE USED WITHOUT WRITTEN PERMISSION			
DIMENSION UNITS		SCALE		CURRENT REV DESC: ITEM# 2 & 4 WERE PVC. ITEM #7 WAS PLASTIC FILM. ADDED FRICTION RING, IEC VOLTAGE, PN LEGEND & TOL CHART. MODIFIED PN CHART			
INCH/MM		NTS		EC NO: 698916			
GENERAL TOLERANCES (UNLESS SPECIFIED)				DRWN: ABENJAMINLW 2021/05/19			
mm		INCH		CHK'D: RSTONE 2022/03/09			
4 PLACES ±----		±----		APPR: BWOODMAN 2022/03/11			
3 PLACES ±----		±----		INITIAL REVISION:			
2 PLACES ±----		±----		DRWN: TWOLDEGE 2009/07/29			
1 PLACE ±----		±----		APPR: JFMURPHY 2009/08/10			
0 PLACES ±----		±----		MATERIAL NUMBER			
ANGULAR TOL ± ---- °		THIRD ANGLE PROJECTION		DRAWING		SERIES	
DRAFT WHERE APPLICABLE MUST REMAIN WITHIN DIMENSIONS		C-SIZE		130006		SD-130006-017	
				SEE CHART		CUSTOMER	
				GENERAL MARKET		SHEET NUMBER	
				1 OF 1			