

# SACC-M12FSL-4PL-CM SH - Power connector



1080237

<https://www.phoenixcontact.com/pc/products/1080237>

Please be informed that the data shown in this PDF document is generated from our online catalog. Please find the complete data in the user documentation. Our general terms of use for downloads are valid.



Power connector, Power, 4-position, shielded, Socket straight M12, L, Push-lock spring connection, knurl material: Brass, nickel-plated, external cable diameter 6 mm ... 11 mm

## Your advantages

- Time-saving Push-Lock connection: Tool-free connection and disconnection of conductors by opening the contact levers
- Intuitive connection: Easy assignment of individual litz wires with color-coded and numerical identification of the contact levers
- Integrated Push-in Technology: Wire rigid and pretreated conductors easily by means of simple, direct insertion
- Shock- and vibration-resistant connection: Proven spring-cage technology guarantees secure and reliable contacting
- Safely shielded: Reliable 360° shield connection even under extreme mechanical strain
- Protected seal in the M12 socket

## Commercial data

Item number	1080237
Packing unit	1 pc
Minimum order quantity	1 pc
Product key	BF2CFP
GTIN	4055626803036
Weight per piece (including packing)	91.1 g
Weight per piece (excluding packing)	91 g
Customs tariff number	85366990
Country of origin	DE

# SACC-M12FSL-4PL-CM SH - Power connector



1080237

<https://www.phoenixcontact.com/pc/products/1080237>

## Technical data

### Notes

General	<b>NOTE:</b> Observe the permissible bending radii when laying conductors, since the degree of protection may be put in jeopardy if the bending forces are too high. Alleviate mechanical loads upstream of the connector, e.g. by using cable ties.
---------	--

### Mounting

Assembly instructions	The wires can be connected both with ferrules and without ferrules
Connection method	Push-lock spring connection

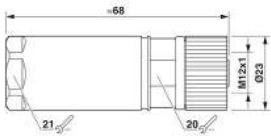
### Product properties

Product type	Circular connector (cable-side)
Sensor type	Power
Number of positions	4
Application	Power supply
No. of cable outlets	1
Shielded	yes
Coding	L
Cable outlet	straight

### Insulation characteristics

Overvoltage category	III
Degree of pollution	3

### Dimensions

Dimensional drawing	
Length	68 mm

### External dimensions

Outside diameter	6 mm ... 11 mm
------------------	----------------

### Housing

Diameter housing	23 mm
------------------	-------

### Material specifications

Flammability rating according to UL 94	V0
Material of grip body	Brass, nickel-plated
Contact surface material	Au
Material for screw connection	Brass, nickel-plated

# SACC-M12FSL-4PL-CM SH - Power connector



1080237

<https://www.phoenixcontact.com/pc/products/1080237>

## Connection data

### Conductor connection

Connection method	Push-lock spring connection
Connection cross section	2.5 mm <sup>2</sup> ... 1.5 mm <sup>2</sup>
	0.75 mm <sup>2</sup> ... 2.5 mm <sup>2</sup> (with ferrule)
	1.5 mm <sup>2</sup> ... 1.5 mm <sup>2</sup> (solid)
Connection cross section AWG	16 ... 14 (without ferrule)
	18 ... 14 (with ferrule)
Stripping length of the individual wire	10 mm
Tightening torque	0.6 Nm (M12 knurl)
	5 Nm (Pressure nut with connector housing)

### Pin assignment

Contact   Color (signal designation)   Contact (optional)	1 = BN
	2 = WH
	3 = BU
	4 = BK

## Electrical properties

Rated surge voltage	1.5 kV
Nominal voltage U <sub>N</sub>	63 V DC
Nominal current I <sub>N</sub>	16 A (when using 2.5 mm <sup>2</sup> conductors)
	16 A (at 40 °C)

## Mechanical properties

### Mechanical data

Insertion/withdrawal cycles	≥ 100
-----------------------------	-------

## Connector

### Connection 1

Head design	Socket
Head cable outlet	straight
Head thread type	M12
Coding	L

## Cable/line

Signal type/category	Power
Stripping length of the individual wire	10 mm

## Environmental and real-life conditions

### Ambient conditions

Degree of protection	IP65
----------------------	------

# SACC-M12FSL-4PL-CM SH - Power connector



1080237

<https://www.phoenixcontact.com/pc/products/1080237>

Ambient temperature (operation)	-40 °C ... 85 °C (Plug / socket)
Ambient temperature (assembly)	-5 °C ... 50 °C (Plug / socket)

## Standards and regulations

Standard designation	M12 connector
Standards/specifications	based on IEC 61076-2-111

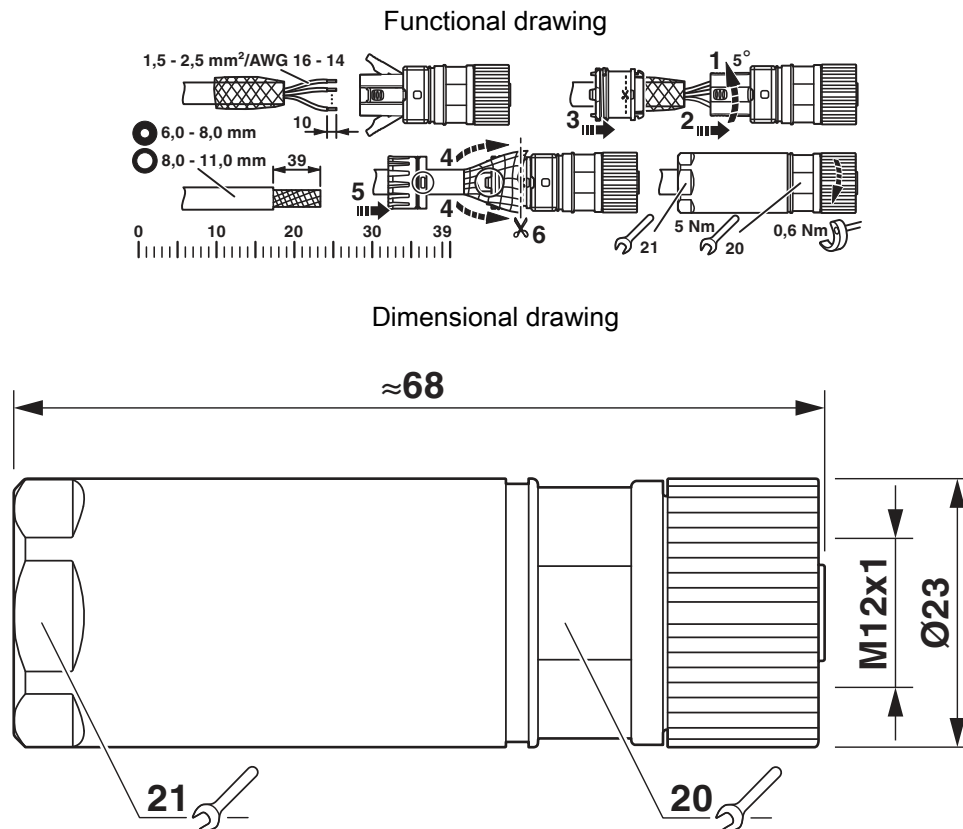
# SACC-M12FSL-4PL-CM SH - Power connector



1080237

<https://www.phoenixcontact.com/pc/products/1080237>

## Drawings

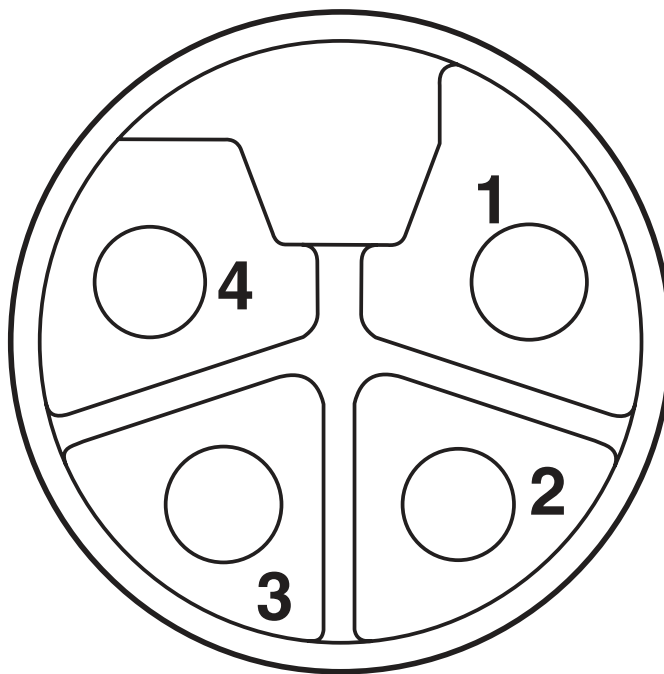


# SACC-M12FSL-4PL-CM SH - Power connector

1080237

<https://www.phoenixcontact.com/pc/products/1080237>

Schematic diagram



Pin assignment of M12 socket, 4-pos., L-coded, socket side view

# SACC-M12FSL-4PL-CM SH - Power connector



1080237

<https://www.phoenixcontact.com/pc/products/1080237>

## Classifications

### ECLASS

ECLASS-11.0	27440102
ECLASS-12.0	27440116
ECLASS-13.0	27440116

### ETIM

ETIM 8.0	EC002635
----------	----------

### UNSPSC

UNSPSC 21.0	39121400
-------------	----------

# SACC-M12FSL-4PL-CM SH - Power connector



1080237

<https://www.phoenixcontact.com/pc/products/1080237>

## Environmental product compliance

China RoHS	Environmentally friendly use period: unlimited = EFUP-e
	No hazardous substances above threshold values



# SACC-M12FSL-4PL-CM SH - Power connector



1080237

<https://www.phoenixcontact.com/pc/products/1080237>

## Accessories

### AI 2,5 -10 BU - Ferrule

3202533

<https://www.phoenixcontact.com/pc/products/3202533>



Ferrule, sleeve length: 10 mm, length: 17 mm, color: blue

---

### AI 1,5 -10 BK - Ferrule

3200195

<https://www.phoenixcontact.com/pc/products/3200195>



Ferrule, sleeve length: 10 mm, length: 16 mm, color: black

# SACC-M12FSL-4PL-CM SH - Power connector



1080237

<https://www.phoenixcontact.com/pc/products/1080237>

## TSD-M 1,2NM - Torque screwdriver

1212224

<https://www.phoenixcontact.com/pc/products/1212224>



Torque screw driver, accuracy as per EN ISO 6789 standard, adjustable from 0.3 - 1.2 Nm

---

## TSD-M SAC-BIT ADAPTER - Adapter insert

1212600

<https://www.phoenixcontact.com/pc/products/1212600>



Adapter bit for TSD-M...torque tools, E6.3-1/4" drive with 4 mm hexagon to accommodate SAC bits

# SACC-M12FSL-4PL-CM SH - Power connector



1080237

<https://www.phoenixcontact.com/pc/products/1080237>

## SACC BIT M12-D23 - Tool

1202885

<https://www.phoenixcontact.com/pc/products/1202885>

Nut for assembling M12 connectors for assembly with a knurl diameter of 23 mm, for 4 mm hexagonal drive



---

## WIREFOX 2,5 - Stripping tool

1212368

<https://www.phoenixcontact.com/pc/products/1212368>

Stripping tool, for conductors and cables with a conductor cross section from 0.08 to 2.5 mm<sup>2</sup>, self-adjusting, stripping length adjustable up to 15 mm, cutting capacity up to 6 mm<sup>2</sup> stranded/1.5 mm<sup>2</sup> solid



# SACC-M12FSL-4PL-CM SH - Power connector

1080237

<https://www.phoenixcontact.com/pc/products/1080237>

## WIREFOX SAC - Stripping tool

1212623

<https://www.phoenixcontact.com/pc/products/1212623>



Stripping pliers, for halogen-free sensor/actuator cables (SAC cables), with PUR and PVC insulation, from  $\varnothing$  of 4.4 to 7 mm, any stripping length

---

## CRIMPFOX VARIO 4S - Crimping pliers

1108766

<https://www.phoenixcontact.com/pc/products/1108766>



Crimping pliers, contact connection type: Insulated and uninsulated ferrules, min. cross section:  $0.25 \text{ mm}^2$ , max. cross section:  $4 \text{ mm}^2$ , compression: Square crimp, black/green

# SACC-M12FSL-4PL-CM SH - Power connector



1080237

<https://www.phoenixcontact.com/pc/products/1080237>

## CRIMPFOX CENTRUS 10S - Crimping pliers

1213154

<https://www.phoenixcontact.com/pc/products/1213154>



Crimping pliers, for uninsulated and insulated ferrules, DIN 46228 Part 1 and 4, from 0.14 mm<sup>2</sup> ... 10 mm<sup>2</sup>, also for TWIN ferrules up to 2 x 4 mm<sup>2</sup>, automatic cross section adjustment, lateral insertion, equipped with fall protection

---

Phoenix Contact 2023 © - all rights reserved

<https://www.phoenixcontact.com>

PHOENIX CONTACT GmbH & Co. KG

Flachsmarktstraße 8

D-32825 Blomberg

+49 (0) 5235-3 00

[info@phoenixcontact.com](mailto:info@phoenixcontact.com)