

# Type BLR-I-610

## Fuse Block - Indicating

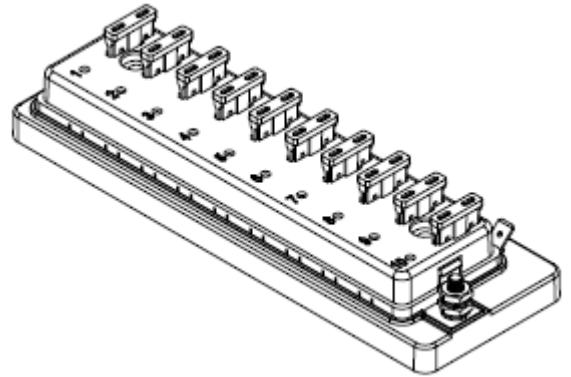
### 10 Pole – Regular Auto Blade



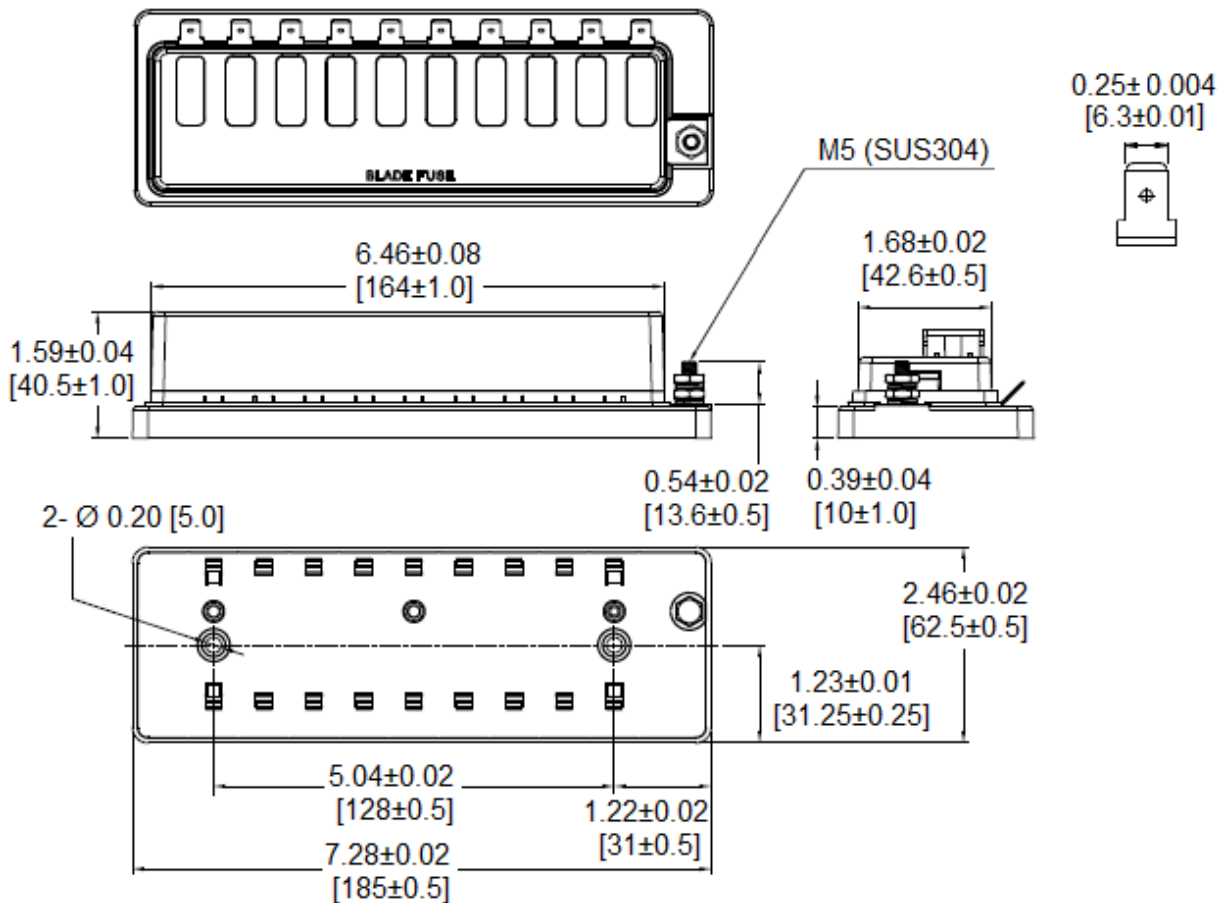
www.optifuse.com (619) 593-5050

**Specifications:**

- Fuse Type:** Regular Auto Blade – APR, ANR Series
- Max Current Rating:** 30A per Circuit - 100A Max Input
- Max Voltage:** 32VDC
- IP Rating:** 40
- Material:**
  - Base:** PBT
  - Terminals:** Copper, tin plated  
0.250" [6.3mm] Quick Connect Terminals
  - Cover:** PC (Transparent)
  - Indicating LED – Red**
- Temperature Rating:** -20° C ~ +85° C
- Mounting:** Two (2) 5 mm mounting holes for #10 screws



**Mechanical Dimensions: Inches [mm]**



	<p><b>Warning:</b> -Operation beyond the specified maximum ratings or improper use may result in damage and possible electrical arcing and/or flame.</p>
	<p>-Avoid contact of device with chemical solvent. Prolonged contact may damage the device performance.</p>

Note: All specifications subject to change without notice.