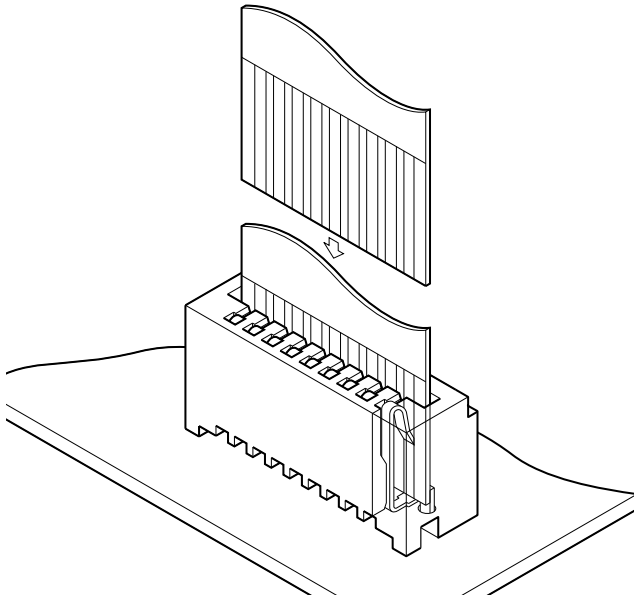


FE CONNECTOR

1.25 mm pitch/Connectors for FFC



The FE connector ensures easy, secure connection of flexible flat cables (FFC). This compact connector is 4.8 mm wide, 7.5 mm high, and provides high contact pressure even though little force is required for insertion. The result is smooth insertion and reliable contact performance. The connector is useful in making personal computers, VCRs and car stereo systems smaller and lighter.

- Low insertion force and high contact pressure
- Snap-in connection
- Temporary board retention feature

Specifications

- Current rating: 1.0 A AC/DC
- Voltage rating: 200 V AC/DC
- Temperature range: -25°C to +85°C
(including temperature rise in applying electrical current)
- Contact resistance: Initial value/ 20 mΩ max.
After environmental tests/ 30 mΩ max.
- Insulation resistance: 1,000 MΩ min.
- Withstanding voltage: 500 VAC/minute
- Applicable FFC: Conductor pitch/ 1.25 mm
Conductor width/ 0.8 mm
Mating part thickness/ 0.30 ± 0.05 mm

Note: FFC to be actually used should be checked for applicability.

- Applicable PC board thickness: 1.2 to 1.6 mm

* In using the products, refer to "Handling Precautions for Terminals and Connectors" described on our website (Technical documents of Product information page).

* RoHS2 compliance

* Dimensional unit: mm

* Contact JST for details.

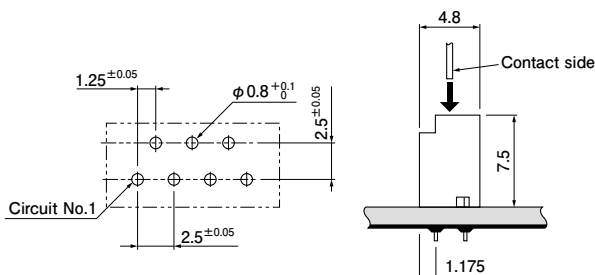
Standards

Recognized E60389

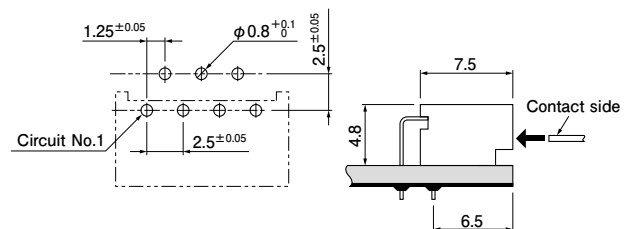
Certified LR20812

PC board layout and Assembly layout

Top entry type



Side entry type

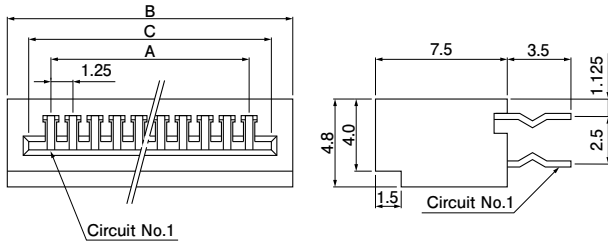


- Note: 1. The above figure is the figure viewed from the connector mounting side.
2. Tolerances are non-cumulative: ± 0.05 mm for all centers.
3. Hole dimensions differ according to the type of PC board and piercing method.
The dimensions above should serve as a guideline. Contact JST for details.

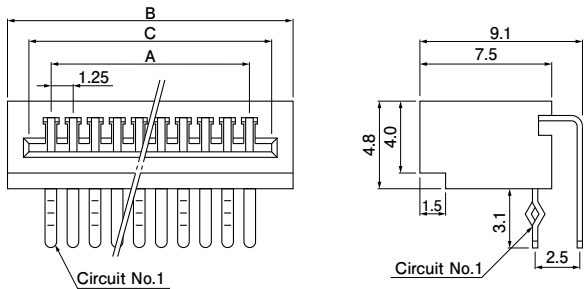
FE CONNECTOR

Connector

Top entry type



Side entry type



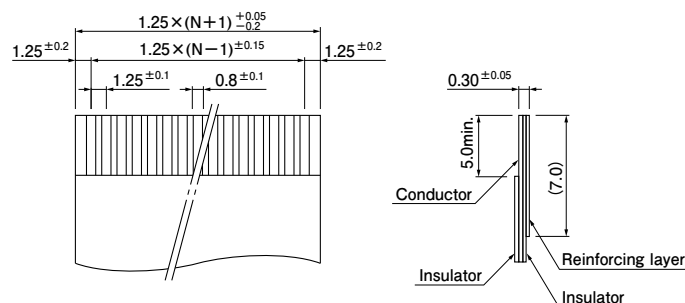
| No. of circuits | Model No. | | Dimensions (mm) | | | Q'ty/box | |
|-----------------|----------------|-----------------|-----------------|-------|-------|----------------|-----------------|
| | Top entry type | Side entry type | A | B | C | Top entry type | Side entry type |
| 4 | 04FE-BT-VK-N | 04FE-ST-VK-N | 3.75 | 8.55 | 6.35 | 2,350 | 1,410 |
| 5 | 05FE-BT-VK-N | 05FE-ST-VK-N | 5.00 | 9.80 | 7.60 | 2,000 | 1,200 |
| 6 | 06FE-BT-VK-N | 06FE-ST-VK-N | 6.25 | 11.05 | 8.85 | 1,800 | 1,080 |
| 7 | 07FE-BT-VK-N | 07FE-ST-VK-N | 7.50 | 12.30 | 10.10 | 1,600 | 960 |
| 8 | 08FE-BT-VK-N | 08FE-ST-VK-N | 8.75 | 13.55 | 11.35 | 1,500 | 900 |
| 9 | 09FE-BT-VK-N | 09FE-ST-VK-N | 10.00 | 14.80 | 12.60 | 1,350 | 810 |
| 10 | 10FE-BT-VK-N | 10FE-ST-VK-N | 11.25 | 16.05 | 13.85 | 1,250 | 750 |
| 11 | 11FE-BT-VK-N | 11FE-ST-VK-N | 12.50 | 17.30 | 15.10 | 1,150 | 690 |
| 12 | 12FE-BT-VK-N | 12FE-ST-VK-N | 13.75 | 18.55 | 16.35 | 1,100 | 660 |
| 13 | 13FE-BT-VK-N | 13FE-ST-VK-N | 15.00 | 19.80 | 17.60 | 1,000 | 600 |
| 14 | 14FE-BT-VK-N | 14FE-ST-VK-N | 16.25 | 21.05 | 18.85 | 950 | 570 |
| 15 | 15FE-BT-VK-N | 15FE-ST-VK-N | 17.50 | 22.30 | 20.10 | 900 | 540 |
| 16 | 16FE-BT-VK-N | 16FE-ST-VK-N | 18.75 | 23.55 | 21.35 | 850 | 510 |
| 17 | 17FE-BT-VK-N | 17FE-ST-VK-N | 20.00 | 24.80 | 22.60 | 800 | 480 |
| 18 | 18FE-BT-VK-N | 18FE-ST-VK-N | 21.25 | 26.05 | 23.85 | 750 | 450 |
| 19 | 19FE-BT-VK-N | 19FE-ST-VK-N | 22.50 | 27.30 | 25.10 | 700 | 420 |
| 20 | 20FE-BT-VK-N | 20FE-ST-VK-N | 23.75 | 28.55 | 26.35 | 700 | 420 |
| 21 | 21FE-BT-VK-N | 21FE-ST-VK-N | 25.00 | 29.80 | 27.60 | 650 | 390 |
| 22 | 22FE-BT-VK-N | 22FE-ST-VK-N | 26.25 | 31.05 | 28.85 | 650 | 390 |
| 23 | 23FE-BT-VK-N | 23FE-ST-VK-N | 27.50 | 32.30 | 30.10 | 600 | 360 |
| 24 | 24FE-BT-VK-N | 24FE-ST-VK-N | 28.75 | 33.55 | 31.35 | 600 | 360 |
| 25 | 25FE-BT-VK-N | 25FE-ST-VK-N | 30.00 | 34.80 | 32.60 | 550 | 330 |
| 26 | 26FE-BT-VK-N | 26FE-ST-VK-N | 31.25 | 36.05 | 33.85 | 550 | 330 |
| 27 | 27FE-BT-VK-N | 27FE-ST-VK-N | 32.50 | 37.30 | 35.10 | 500 | 300 |
| 28 | 28FE-BT-VK-N | 28FE-ST-VK-N | 33.75 | 38.55 | 36.35 | 500 | 300 |
| 29 | 29FE-BT-VK-N | 29FE-ST-VK-N | 35.00 | 39.80 | 37.60 | 500 | 300 |
| 30 | 30FE-BT-VK-N | 30FE-ST-VK-N | 36.25 | 41.05 | 38.85 | 450 | 270 |
| 31 | 31FE-BT-VK-N | 31FE-ST-VK-N | 37.50 | 42.30 | 40.10 | 450 | 270 |
| 32 | 32FE-BT-VK-N | 32FE-ST-VK-N | 38.75 | 43.55 | 41.35 | 450 | 270 |
| 33 | 33FE-BT-VK-N | 33FE-ST-VK-N | 40.00 | 44.80 | 42.60 | 450 | 270 |
| 34 | 34FE-BT-VK-N | 34FE-ST-VK-N | 41.25 | 46.05 | 43.85 | 400 | 240 |
| 35 | 35FE-BT-VK-N | 35FE-ST-VK-N | 42.50 | 47.30 | 45.10 | 400 | 240 |
| 36 | 36FE-BT-VK-N | 36FE-ST-VK-N | 43.75 | 48.55 | 46.35 | 400 | 240 |
| 37 | 37FE-BT-VK-N | 37FE-ST-VK-N | 45.00 | 49.80 | 47.60 | 400 | 240 |
| 38 | 38FE-BT-VK-N | 38FE-ST-VK-N | 46.25 | 51.05 | 48.85 | 350 | 210 |
| 39 | 39FE-BT-VK-N | 39FE-ST-VK-N | 47.50 | 52.30 | 50.10 | 350 | 210 |
| 40 | 40FE-BT-VK-N | 40FE-ST-VK-N | 48.75 | 53.55 | 51.35 | 350 | 210 |

Material and Finish

Contact: Copper alloy, tin-plated (reflow treatment)
Housing: PBT, UL94V-0, white

RoHS2 compliance

Lead section dimensions of FFC



Note: N -- Number of circuits