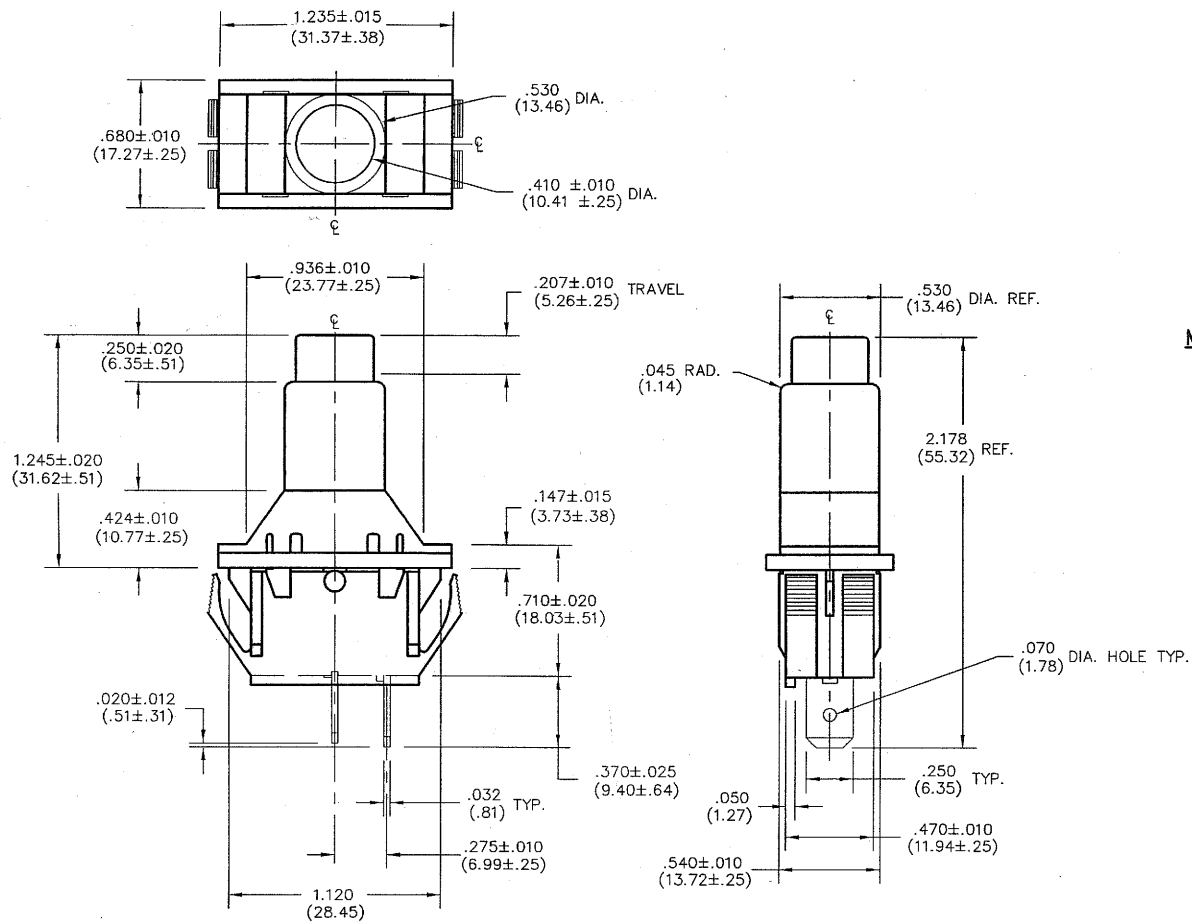


E  
D  
C  
B  
A



**MATERIALS:**

HOUSING AND ROCKER: NYLON 6/6 85°C MATERIAL  
TERMINAL AND MOVING CONTACT: COPPER ALLOY

**RATINGS:**

16A. 125V.A.C. 12A. 250V.A.C.  
3/4 H.P. 125-250V.A.C.  
12 (6)A. 250 ~ VDE

**OPERATING TEMPERATURE/HUMIDITY:** -30C - 85C/100 Hour Soak @  
95% RH and 50C and 1 Hour dry in ambient = > 10 M ohms

**ELECTRICAL CYCLES:** UL Rated 6K Cycles, VDE 10K Cycles

**MECHANICAL CYCLES:** 100K Cycles

**FLAMMABILITY RATING:** UL 94V - 2

**REGULATORY APPROVALS:** UL 1054/VDE EN61058/CSA C22.2 No. 55

	1	2	3	4	5	6	7	8	9	10
B-FORMAT 2002 <b>REVISIONS</b> O RELEASED: DGW 10-26-2009 OCT 26 2009	<b>CW INDUSTRIES</b> Southampton, Pa. 18966 TOLERANCES UNLESS OTHERWISE SPECIFIED 2 Place Decimal ±.010 METRIC 3 Place Decimal ±.005 1 Place Dec. ±.25mm Angles ..... ±1' 2 Place Dec. ±.13mm							Title: SWITCH ASSEMBLY PUSH ON/OFF S.P.- S.T.		
	Made for: CW IND.							Division: SWITCH		
	Drawn by: DGW 10-26-2009							Dwg. No. GRSN-2011-2002		
	Checked by: G. Guld 10-26-09 Approval: G. Guld 10-26-09									

**MASTER**