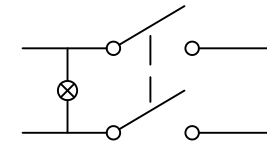
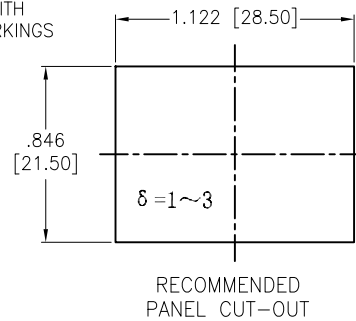
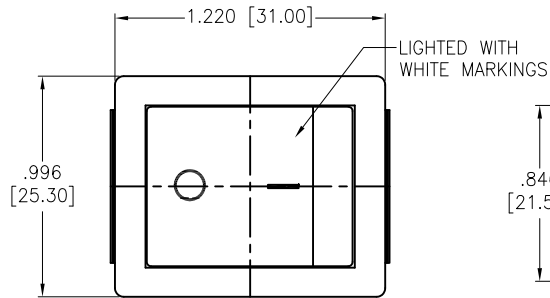
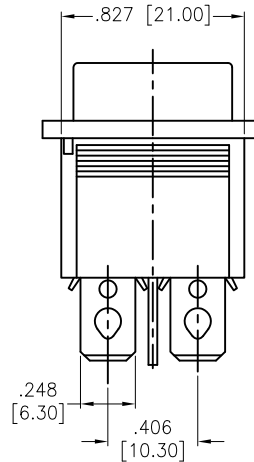
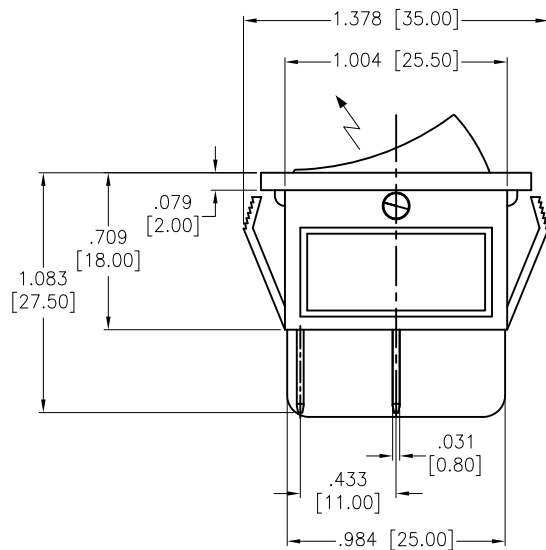


APPROVED: _____
 DATE: _____ TITLE: _____

Rev	AWO #	Description	Date	Appr
-		RELEASED	11/18/21	



CIRCUIT DIAGRAM
(DPST) ON-OFF



SW-R1-3A-E-LXXX-0

Lighted Actuator		Actuator Markings		LED Voltage	
W	Lighted White	1		1	3V
R	Lighted Red	2		2	6V
G	Lighted Green	3		3	12V
Y	Lighted Yellow (Amber)	4		4	24V
B	Lighted Blue	5		5	48V
O	Lighted Orange			6	110V
				7	220V

SPECIFICATIONS:

Material:
 Body: Nylon 66, Color Black, Rated UL 94V-0
 Terminal: Brass, Silver plated
 Button: Nylon 66, Lighted color (See Chart). White color markings

Electrical:
 The rated load: 250V AC, 16A
 125V AC, 20A
 Contact resistance: 50 mohms max
 Insulation resistance: 100 Mohms min
 Dielectric withstanding voltage: 1500 VAC/5S min

Mechanical:
 Electrical life: 10000 Cycles min
 Temperature Rating:
 Operating temperature: -25°C to +85°C

Environmental:
 Lead free, RoHS compliant



Replace "x" in P/N with the corresponding switch color and marking

UNLESS OTHERWISE SPECIFIED ALL DIMENSIONS ARE INCHES [MM]. TOLERANCES: EXCEPT AS NOTED			
INCHES		HOLES	
.X	± .10	ØX	± .10
.XX	± .020	ØXX	± .015
.XXX	± .015	ØXXX	± .010



909 Rahway Avenue,
 Union, NJ 07083
 Phone: 908-687-5000
 Fax: 908-687-5710

DRAWN	WX	11/18/21
CHECKED	RC	11/18/21
APPROVED		

TITLE	SWITCH, MEDIUM ROCKER DPST, ON-OFF, QC .250 [6.35MM], LIGHTED		
SIZE	X	PART NO.	SW-R1-3A-E-LXXX-0
REV.	-		

THIS DRAWING CONTAINS INFORMATION THAT IS PROPRIETARY AND SHOULD NOT BE USED WITHOUT PRIOR WRITTEN PERMISSION FROM ADAM TECH

REF:	S00206C	SCALE:	NTS	SHEET	1 OF 1
------	---------	--------	-----	-------	--------