



FINGERSTOCK GASKETS AND METAL GROUNDING PRODUCTS

As the world's leading fabricator of fingerstock, Laird Technologies has developed highly sophisticated, and often proprietary, shielding and grounding technology.

Our innovations are necessary to achieve outstanding combinations of performance parameters. From a vast selection of product configurations, platings and mounting techniques, to a full range of low compression force requirements and high transfer impedance characteristics, there is a Laird Technologies gasket or grounding product just right for the job.

These versatile gaskets are made from high-performance beryllium copper with Sticky Fingers® self-adhesive backing. They provide an extremely tight, instant bond and are ideal as an all-purpose contact strip for metal cabinets and electronic enclosures, particularly where space is critical.

Magnetic field shielding effectiveness of these strips has been proven to be > 46 dB for a 14 kHz plane wave and 108 dB for a 10 GHz plane wave. When tested per MIL-STD-285 for electromagnetic shielding, these strips showed superior performance under minimum compression. They proved to be especially effective where variations exist in the space to be shielded and in applications that require high shielding performance despite frequent opening and closing of the cabinet.

Strips 97-500 and 97-538 are furnished in standard lengths of 24.000 in. (609.600 mm) and in continuous 25.0 ft. (7.6 m) coils. Series 97-520 and 97-540 are supplied in standard 16.000 in. (406.400 mm) lengths and in 25.0 ft. (7.6 m) coils. Strips 97-537, 97-535 and 97-545 are supplied in 12.000 in. (304.800 mm) lengths. All are available in your choice of finishes.

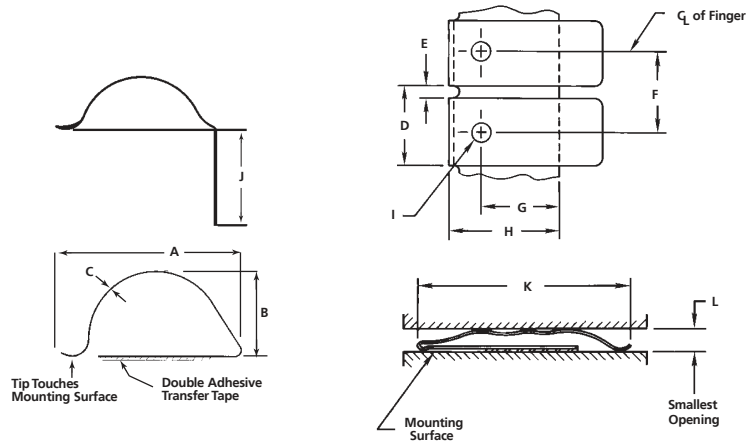
Please note that designated strips are available with Magnefil®, a rubber strip filled with magnetic absorbing particles and inserted within the curve of the fingers. Magnefil provides increased magnetic field shielding. These 97-Series products are also available in UltraSoft® low compression force 98-Series.

global solutions: local support.™

USA: +1.866.928.8181

Europe: +49.0.8031.2460.0

Asia: +86.755.2714.1166



FINGERSTOCK DIMENSIONS

SERIES	A MIN	B	C	D	E	F	G	H	I	J	K	L	LENGTH APPROX	APPROX COIL FT (M)
97-500	0.600	0.230	0.004	0.375	0.032	0.380	0.310	0.500	0.080	N/A	0.770	0.040	24.000	25.0
	(15.240)	(5.842)	(0.102)	(9.525)	(0.813)	(9.652)	(7.874)	(12.700)	(2.032)	—	(19.558)	(1.016)	(609.600)	(7.6)
97-505	0.600	0.230	0.004	0.375	0.032	0.380	0.310	N/A	0.080	0.500	0.770	0.040	24.000	25.0
	(15.240)	(5.842)	(0.102)	(9.525)	(0.813)	(9.652)	(7.874)	—	(2.032)	(12.700)	(19.558)	(1.016)	(609.600)	(7.6)
97-510	0.600	0.230	0.004	0.375	0.032	0.380	0.310	0.500	0.080	N/A	0.770	0.040	24.000	25.0
	(15.240)	(5.842)	(0.102)	(9.525)	(0.813)	(9.652)	(7.874)	(12.700)	(2.032)	—	(19.558)	(1.016)	(609.600)	(7.6)
97-520	0.370	0.140	0.003	0.250	0.022	0.250	0.090	0.310	0.060	N/A	0.500	0.070	16.000	25.0
	(9.398)	(3.556)	(0.076)	(6.350)	(0.559)	(6.350)	(2.286)	(7.874)	(1.524)	—	(12.700)	(1.778)	(406.400)	(7.6)
97-525	0.370	0.140	0.003	0.250	0.022	0.250	0.090	N/A	0.060	0.320	0.500	0.070	16.000	25.0
	(9.398)	(3.556)	(0.076)	(6.350)	(0.559)	(6.350)	(2.286)	—	(1.524)	(8.128)	(12.700)	(1.778)	(406.400)	(7.6)
97-527	0.280	0.055	0.002	0.125	0.025	N/A	N/A	0.183	N/A	N/A	0.300	0.040	16.000	N/A
	(7.112)	(1.397)	(0.051)	(3.175)	(0.635)	—	—	(4.648)	—	—	(7.620)	(1.016)	(406.400)	—
97-535	0.780	0.250	0.005	0.375	0.040	0.380	0.380	N/A	0.140	0.480	0.940	0.080	12.000	25.0
	(19.812)	(6.350)	(0.127)	(9.525)	(1.016)	(9.652)	(9.652)	—	(3.556)	(12.192)	(23.876)	(2.032)	(304.800)	(7.6)
97-536	0.670	0.310	0.004	0.375	0.040	0.380	0.380	0.530	0.140	N/A	0.940	0.140	24.000	25.0
	(17.018)	(7.874)	(0.102)	(9.525)	(1.016)	(9.652)	(9.652)	(13.462)	(3.556)	—	(23.876)	(3.556)	(609.600)	(7.6)
97-537	1.130	0.410	0.007	0.500	0.040	0.500	0.560	0.780	0.140	N/A	1.940	0.100	12.000	N/A
	(28.702)	(10.414)	(0.178)	(12.700)	(1.016)	(12.700)	(14.224)	(19.812)	(3.556)	—	(49.276)	(2.540)	(304.800)	—
97-538	0.780	0.250	0.005	0.375	0.040	0.380	0.380	0.530	0.140	N/A	0.940	0.080	24.000	25.0
	(19.812)	(6.350)	(0.127)	(9.525)	(1.016)	(9.652)	(9.652)	(13.462)	(3.556)	—	(23.876)	(2.032)	(609.600)	(7.6)
97-540	0.280	0.110	0.003	0.188	0.018	0.190	0.080	0.230	0.060	N/A	0.370	0.065	16.000	25.0
	(7.112)	(2.794)	(0.076)	(4.775)	(0.457)	(4.826)	(2.032)	(5.842)	(1.524)	—	(9.398)	(1.651)	(406.400)	(7.6)
97-544	0.260	0.110	0.003	0.188	0.018	0.190	0.080	N/A	0.060	0.240	0.370	0.065	16.000	25.0
	(6.604)	(2.794)	(0.076)	(4.775)	(0.457)	(4.826)	(2.032)	—	(1.524)	(6.096)	(9.398)	(1.651)	(406.400)	(7.6)
97-545	1.130	0.410	0.007	0.500	0.040	0.500	0.560	N/A	0.140	0.750	1.940	0.100	12.000	N/A
	(28.702)	(10.414)	(0.178)	(12.700)	(1.016)	(12.700)	(14.224)	—	(3.556)	(19.050)	(49.276)	(2.540)	(304.800)	—
97-548	0.780	0.250	0.005	0.375	0.040	0.380	0.380	0.530	0.140	N/A	0.940	0.080	24.000	25.0
	(19.812)	(6.350)	(0.127)	(9.525)	(1.016)	(9.652)	(9.652)	(13.462)	(3.556)	—	(23.876)	(2.032)	(609.600)	(7.6)

EMI-DS-FINGERSTOCK-ALL PURPOSE 1112

All information furnished by Laird Technologies, Inc. and its agents is believed to be accurate and reliable. All specifications are subject to change without notice. Responsibility for the use and application of Laird Technologies materials rests with the end user. Laird Technologies makes no warranties as to the fitness, merchantability, suitability or non-infringement of any Laird Technologies materials or products for any specific or general uses. Laird Technologies shall not be liable for incidental or consequential damages of any kind. All Laird Technologies products are sold pursuant to the Laird Technologies Terms and Conditions of sale in effect from time to time, a copy of which will be furnished upon request. © Copyright 2011 Laird Technologies, Inc. All Rights Reserved. Laird, Laird Technologies, the Laird Technologies Logo, and other marks are trademarks or registered trademarks of Laird Technologies, Inc. or an affiliate company thereof. Other product or service names may be the property of third parties. Nothing herein provides a license under any Laird Technologies or any third party intellectual property rights.