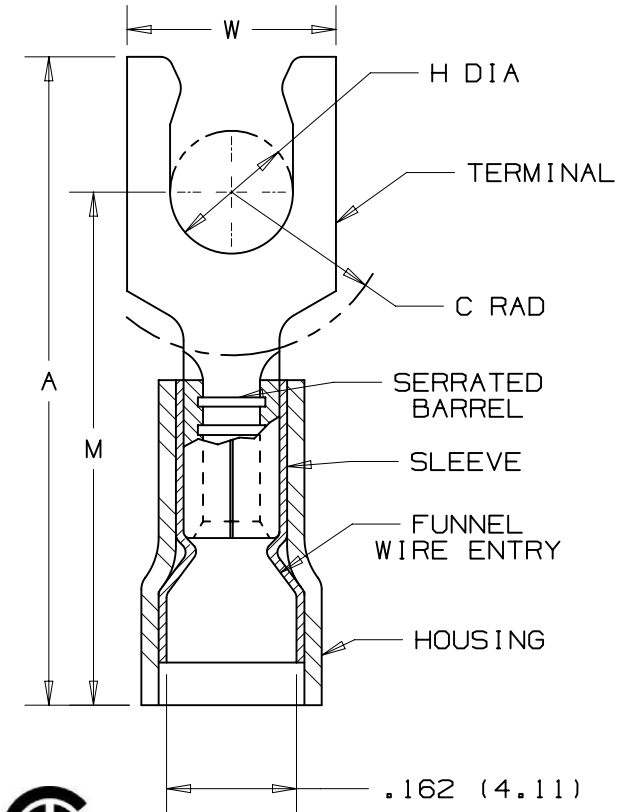


THIS COPY IS PROVIDED ON A RESTRICTED BASIS AND IS NOT TO BE USED IN ANY WAY DETRIMENTAL TO THE INTERESTS OF PANDUIT CORP.

| PANDUIT PART NUMBER | STUD SIZE | DIMENSIONS - in. |               |               |                |               | TOOLS   |
|---------------------|-----------|------------------|---------------|---------------|----------------|---------------|---|
|                     |           | A<br>± .03       | W<br>± .01    | C<br>± .02    | M<br>± .03     | H<br>± .01    |   |
| PNF14-6LF           | #6        | .87<br>(22.10)   | .25<br>(6.35) | .20<br>(5.08) | .65<br>(16.51) | .14<br>(3.56) | CT-100A<br>+CT-400<br>+CT-460<br>*CT-600-A (CT-550CH)<br>*CT-1550<br>*CT-1551<br>*CT-2500 (CT-2550CH) |
| PNF14-6LFW          | #6        | .84<br>(21.34)   | .29<br>(7.37) | .20<br>(5.08) | .65<br>(16.51) | .14<br>(3.56) |   |
| PNF14-8LF           | #8        | .93<br>(23.62)   | .29<br>(7.37) | .25<br>(6.35) | .70<br>(17.78) | .16<br>(4.06) |   |
| PNF14-10LF          | #10       | .93<br>(23.62)   | .33<br>(8.38) | .25<br>(6.35) | .70<br>(17.78) | .19<br>(4.83) |   |



\*USED FOR #18-14 AWG SOLID OR STRANDED COPPER WIRE  
 +UL LISTED ONLY WITH #18-14 AWG SOLID OR STRANDED COPPER WIRE

NOTES:

- UL LISTED AND CSA CERTIFIED FOR:
  - A. 600V MAX. BLDG WIRE
  - 1000V MAX. IN SIGNS, FIXTURES & LUMINARIES
  - B. 221°F (105°C) MAX TEMP. RATING
  - C. #16-14 AWG SOLID OR STRANDED, COPPER WIRE
- SEE WWW.PANDUIT.COM FOR PACKAGE QUANTITIES
- MATERIAL:
  - A. STAMPING - .032" THK COPPER, TIN PLATED
  - B. HOUSING - NYLON, BLUE
  - C. SLEEVE - BRASS, TIN PLATED
- DIMENSIONS IN BRACKETS ARE IN MILLIMETERS
- WIRE STRIP LENGTH: 7/32 + 1/32 (5.6 + .8)  
 - 0 - 0



.162 (4.11)  
 MAX. WIRE  
 INSUL. DIA.  
 .080 (2.03)  
 MIN. WIRE  
 INSUL. DIA.

|   |      |  |       |
|---|------|--|-------|
| TITLE   |      | #16-14 BARREL NYLON INSULATED LOCKING FORK, FUNNELED WIRE ENTRY, .162 [4.11] MAX. WIRE INSULATION DIAMETER |       |
| CUSTOMER DRAWING  |      |  |       |
| ITEM REVISION NAME  |      | N41294BB/09  |       |
| DATASET FILE NAME   |      | N41294BB/09  |       |
| UNLESS OTHERWISE SPECIFIED, DIMENSIONAL TOLERANCES ARE: IN [mm] |      | MATERIAL:  |       |
| .XX ±   |      | SEE NOTES  |       |
| .XXX ±  |      | DRAWING NUMBER:  |       |
| ANGLES ±  |      | A41294   |       |
| THIRD ANGLE PROJECTION  |      | SHT 1 OF 1   |       |
| DRAWN BY  | DATE | CHK  | SCALE |
| DW  |      | RLS  | NONE  |
| REV   | DATE | BY   | CHK   |
|   |      | APR  |       |

| REV | DATE  | BY  | CHK  | APR | DESCRIPTION  | ECN             |
|-----|-------|-----|------|-----|--|-----------------|
| 09  | 01/15 | TMR | TMR  | RGB | PART NUMBER CHANGED TO PNF, CT-400 & CT-460 CHANGED TO UL LISTED ONLY      | N41294BB-DC     |
| 08  | 06/14 | MBY | JHNU | RGB | REVISED NOTES, MOVED TOOLS TO TABLE, REVISED CERTIFICATION, UPDATED BORDER | N41294BB-A41294 |

D101000A/16