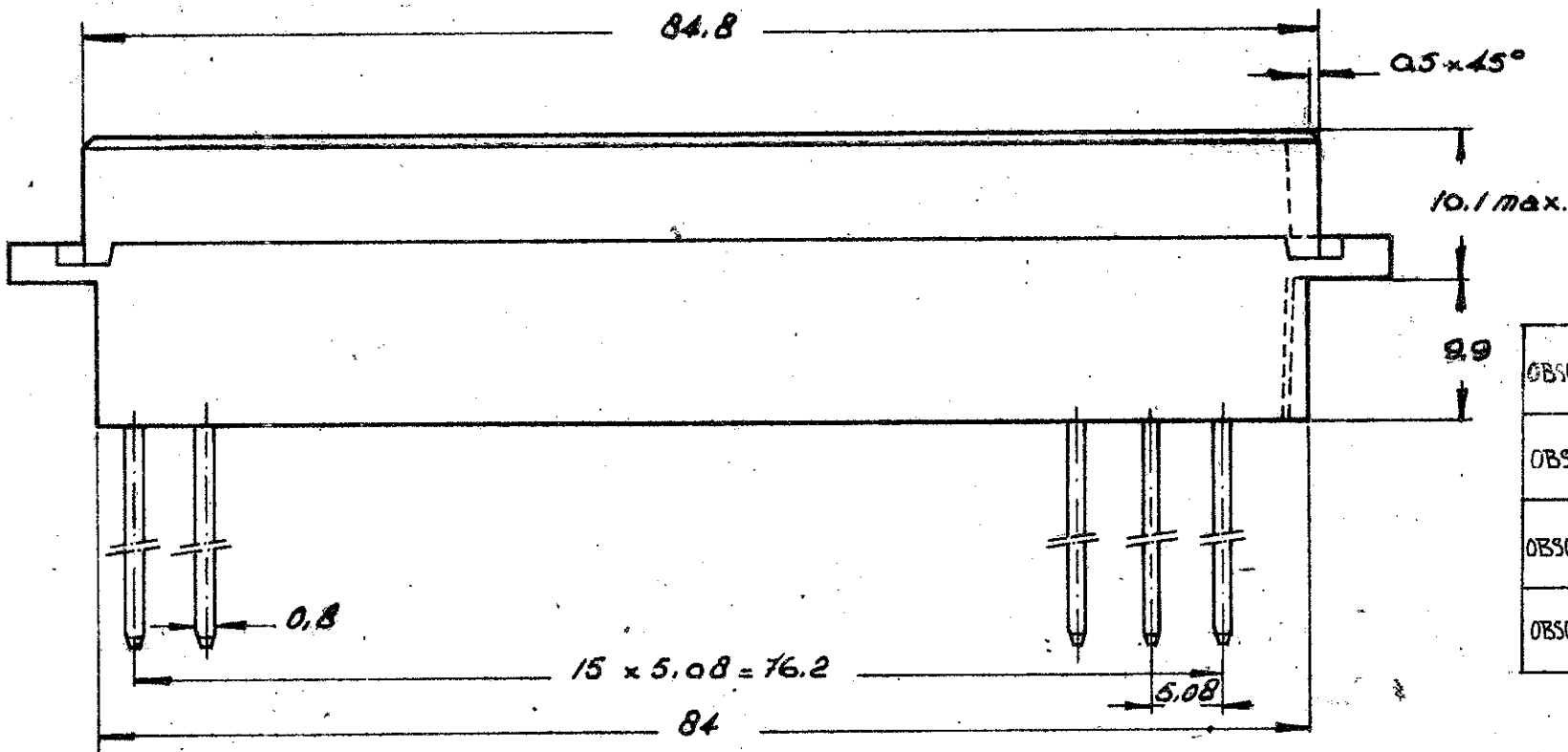
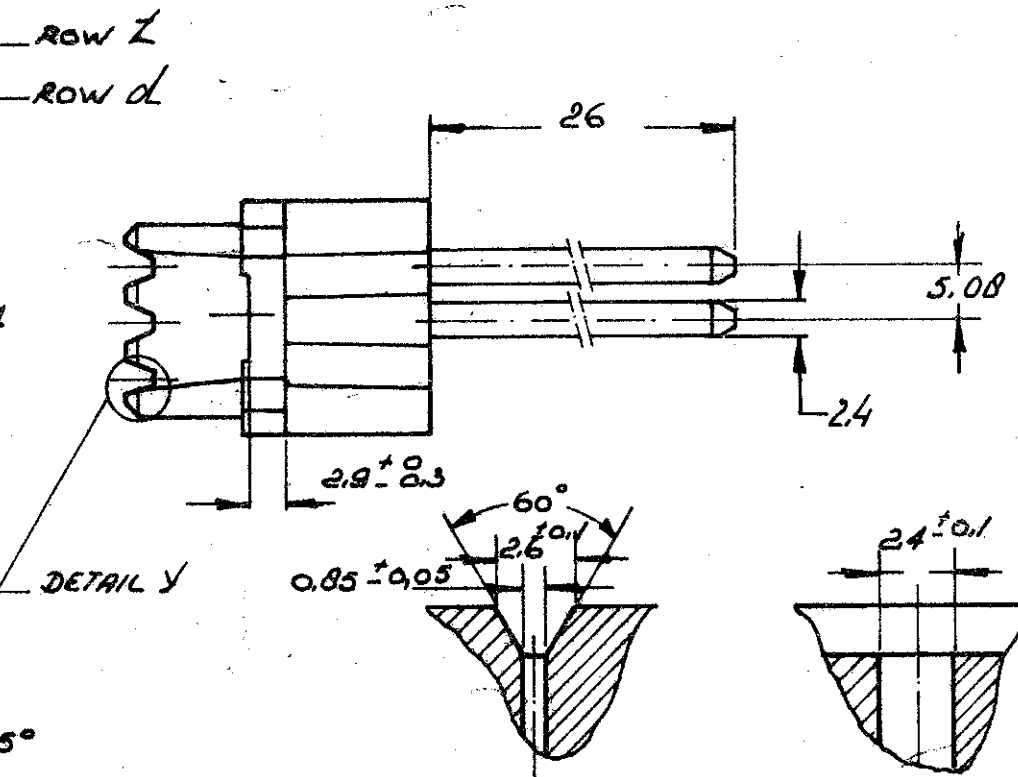
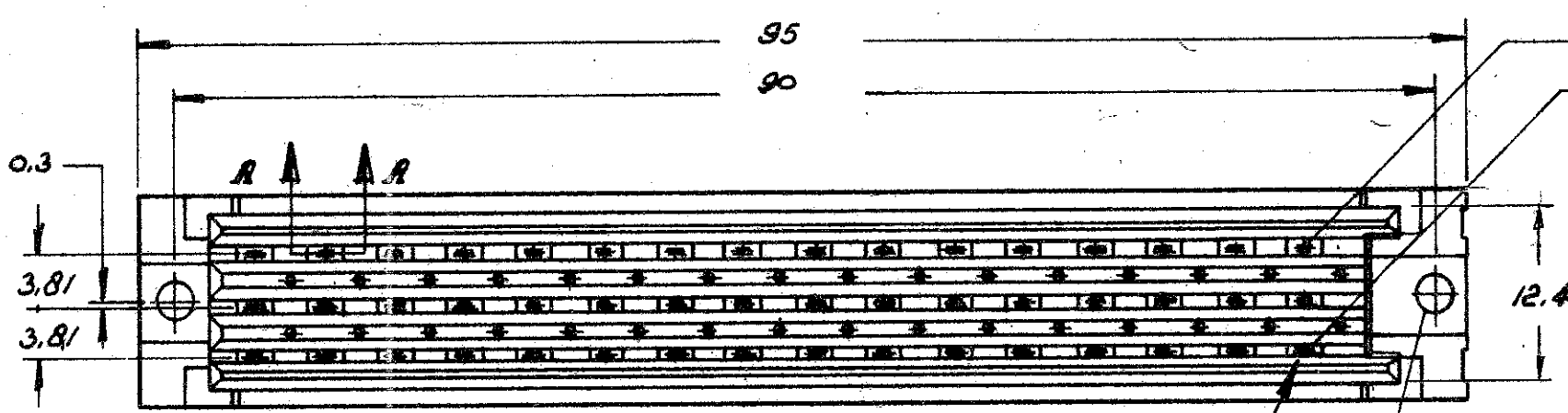


DRAWING MADE IN AMERICAN PROJECTION



|          |            |  |  |
|----------|------------|--|--|
| OBSOLETE | 2-166011-8 | HOUSING:<br>CLASSIFIED<br>POLYCARBONATE<br>(GREY)<br><br>CONTACTS:<br>PHOSPHORBRONZE | AT CONTACT AREA 0.4 μm ALL OVER 1.25 μm Ni.<br>AT POST AREA GOLD FLASH OVER 1.25 μm Ni.  |
| OBSOLETE | 2-166011-7 |  | AT CONTACT AREA 2.0 μm ALL OVER 1.25 μm Ni.<br>AT POST AREA GOLD FLASH OVER 1.25 μm Ni.  |
| OBSOLETE | 2-166011-6 |  | AT CONTACT AREA 3.75 μm ALL OVER 1.25 μm Ni.<br>AT POST AREA GOLD FLASH OVER 1.25 μm Ni. |
| OBSOLETE | 2-166011-4 |  | AT CONTACT AREA 0.8 μm ALL OVER 1.25 μm Ni.<br>AT POST AREA GOLD FLASH OVER 1.25 μm Ni.  |
|          | 2-166011-1 |  | AT CONTACT AREA 1.25 μm ALL OVER 1.25 μm Ni.<br>AT POST AREA GOLD FLASH OVER 1.25 μm Ni. |
|          | ORDER NO.  | MATERIAL   | PLATING  |

AN ASTERISK \* DENOTES A CONTACT.

|             |   |   |   |   |   |   |   |   |   |    |    |    |    |    |    |    |    |    |    |    |    |    |    |    |    |    |    |    |    |    |   |   |   |
|-------------|---|---|---|---|---|---|---|---|---|----|----|----|----|----|----|----|----|----|----|----|----|----|----|----|----|----|----|----|----|----|---|---|---|
| CONTACT NO. | 1 | 2 | 3 | 4 | 5 | 6 | 7 | 8 | 9 | 10 | 11 | 12 | 13 | 14 | 15 | 16 | 17 | 18 | 19 | 20 | 21 | 22 | 23 | 24 | 25 | 26 | 27 | 28 | 29 | 30 |   |   |   |
| ROW Z       | X | X | X | X | X | X | X | X | X | X  | X  | X  | X  | X  | X  | X  | X  | X  | X  | X  | X  | X  | X  | X  | X  | X  | X  | X  | X  | X  | X | X |   |
| ROW b       | X | X | X | X | X | X | X | X | X | X  | X  | X  | X  | X  | X  | X  | X  | X  | X  | X  | X  | X  | X  | X  | X  | X  | X  | X  | X  | X  | X | X |   |
| ROW d       | . | . | . | . | . | . | . | . | . | .  | .  | .  | .  | .  | .  | .  | .  | .  | .  | .  | .  | .  | .  | .  | .  | .  | .  | .  | .  | .  | . | . | . |

10991-7

|                                  |         |   |             |   |     |
|----------------------------------|---------|---|-------------|---|-----|
| CUSTOMER COPY FOR REFERENCE ONLY |         | © 1982 BY AMP-HOLLAND N.V. ALL RIGHTS RESERVED A-MP PRODUCTS COVERED BY PATENTS AND/OR PATENTS PENDING. |             | AMP<br>AMP-HOLLAND N.V.<br>'s-Hertogenbosch |     |
| DR                               | DATE    | WIRE-RANGE  | INSUL-RANGE | FIRST USED                                  | REV |
| J. GRUNSVEN                      | 7-12-82 |   |             |   | D   |
| CHK                              | DATE    | SCALE   | SIZE        | NO  |     |
| J. GIBBELS                       |         |   | B           | C-166011                                    |     |
| DE                               | DATE    | NAME 32 POS. FEMALE AC. CMM. ALL TO DIN 41612, E32F-C1M WITH MAXI TERM POINT POSTS                      |             |   |     |
| APP                              | DATE    |   |             |   |     |