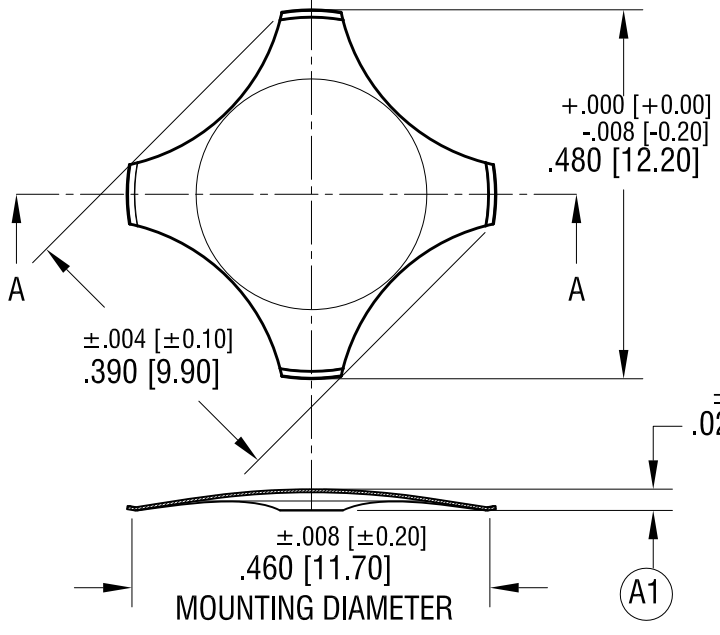
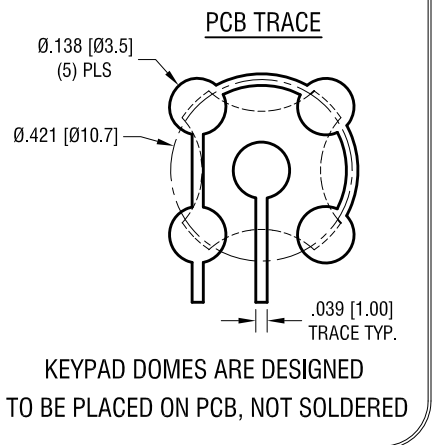
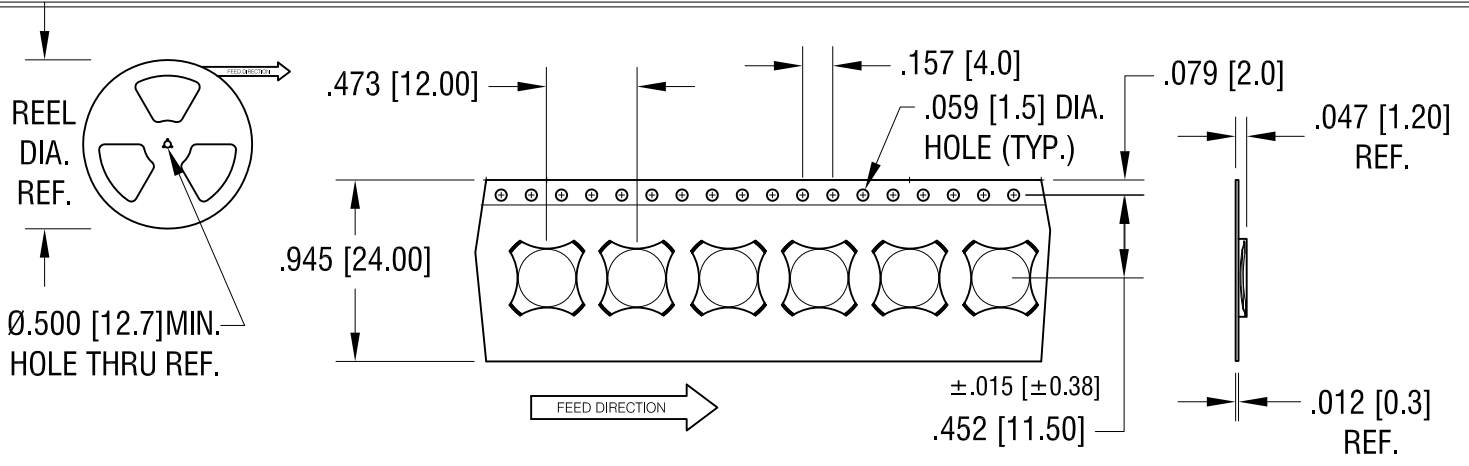


THIS DOCUMENT IS THE PROPERTY OF KEYSTONE ELECTRONICS CORP. AND SHALL NOT BE REPRODUCED, DISTRIBUTED OR USED AS A BASIS FOR MANUFACTURE WITHOUT PRIOR WRITTEN PERMISSION FROM KEYSTONE ELECTRONICS CORP.

**ACTUAL SIZE**



**SECTION A-A**



**DOMES SPECIFICATIONS:**

1. VOLTAGE/CURRENT MAXIMUM: 12mA@ 24 Volts DC
2. OPERATING TEMPERATURE: -40°C TO 105°C
3. STORAGE TEMPERATURE: -55°C TO 125°C
4. MAT'L: .004 [0.10] STAINLESS STEEL
5. FINISH: NICKEL PLATE
6. TRIP FORCE: 420g

**NOTES: SUPPLIED ON TAPE AND REEL ONLY**

**TAPE AND REEL SPECIFICATIONS:**

1. TAPE:  
MAT'L - ALL CONDUCTIVE POLYSTYRENE CARRIER  
ANSI/EIA-481 STANDARD
2. REEL:  
13.0 [330.2] DIA. 4000 PIECES PER REEL

4.23.21	REMOVE DIMPLES A1 WAS .032 [0.80]±.004 [±0.10] CHANGE AS PER ECN 21-039	A
DATE	DESCRIPTION	REV.

<b>KEYSTONE ELECTRONICS CORP.</b>			
www.keyelco.com • NEW ORLEANS, LA 70112 • Tel (516) 328-7500			
PART NAME		MAXI 4 LEG DOME	
MATERIAL		AS NOTED	
FINISH	AS NOTED	DRN BY	NT
		DATE	2.15.17
		APP'D	RH
		SCALE	4X, 1X
TOLERANCES	INCH [MM]	CODE	DWG NO.
DECIMAL	± .005 [± 0.13]	C	
ANGULAR	± 1°		
UNLESS OTHERWISE SPECIFIED			
<b>5176TR</b>			