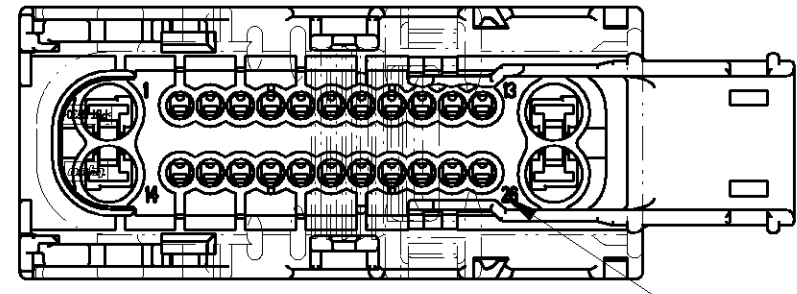
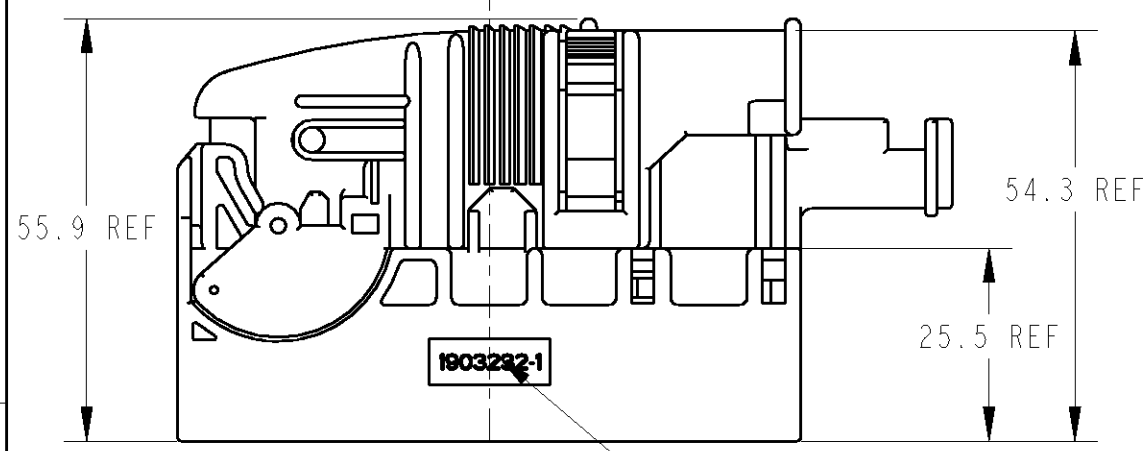


THIS DRAWING IS UNPUBLISHED. RELEASED FOR PUBLICATION 20
 © COPYRIGHT 20 BY TYCO ELECTRONICS CORPORATION. ALL RIGHTS RESERVED.

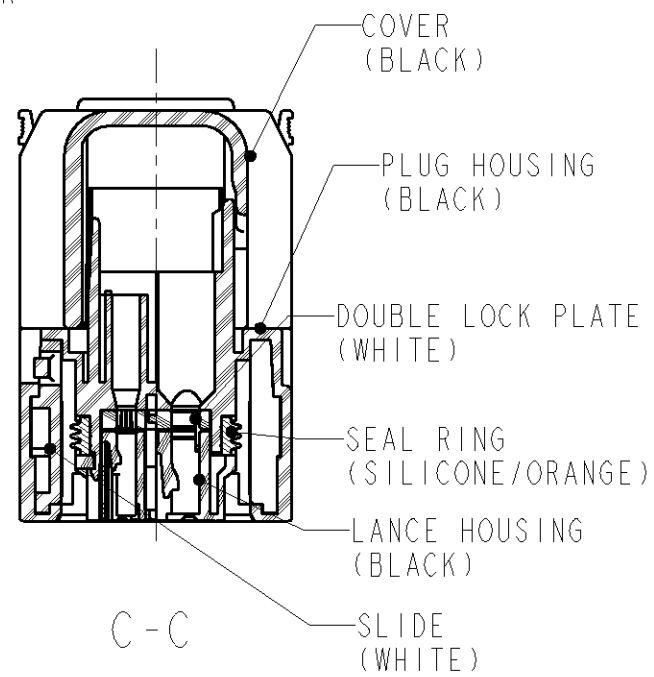
LOC	DIST	REVISIONS						
		P	LTR	DESCRIPTION	ECN	DATE	DWN	APVD
J	-		C	REVISED	ECR-07-014061	13JUN2007	Y.T	Y.N



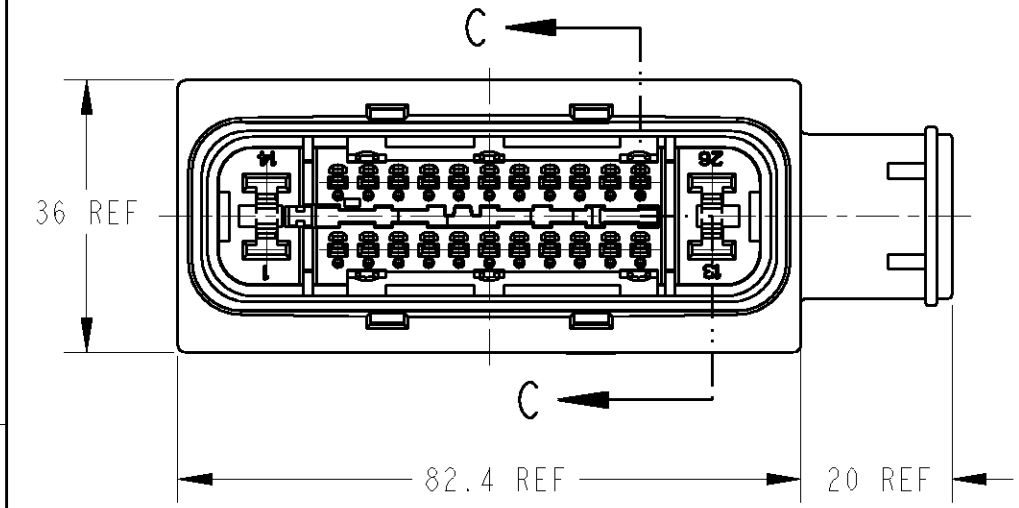
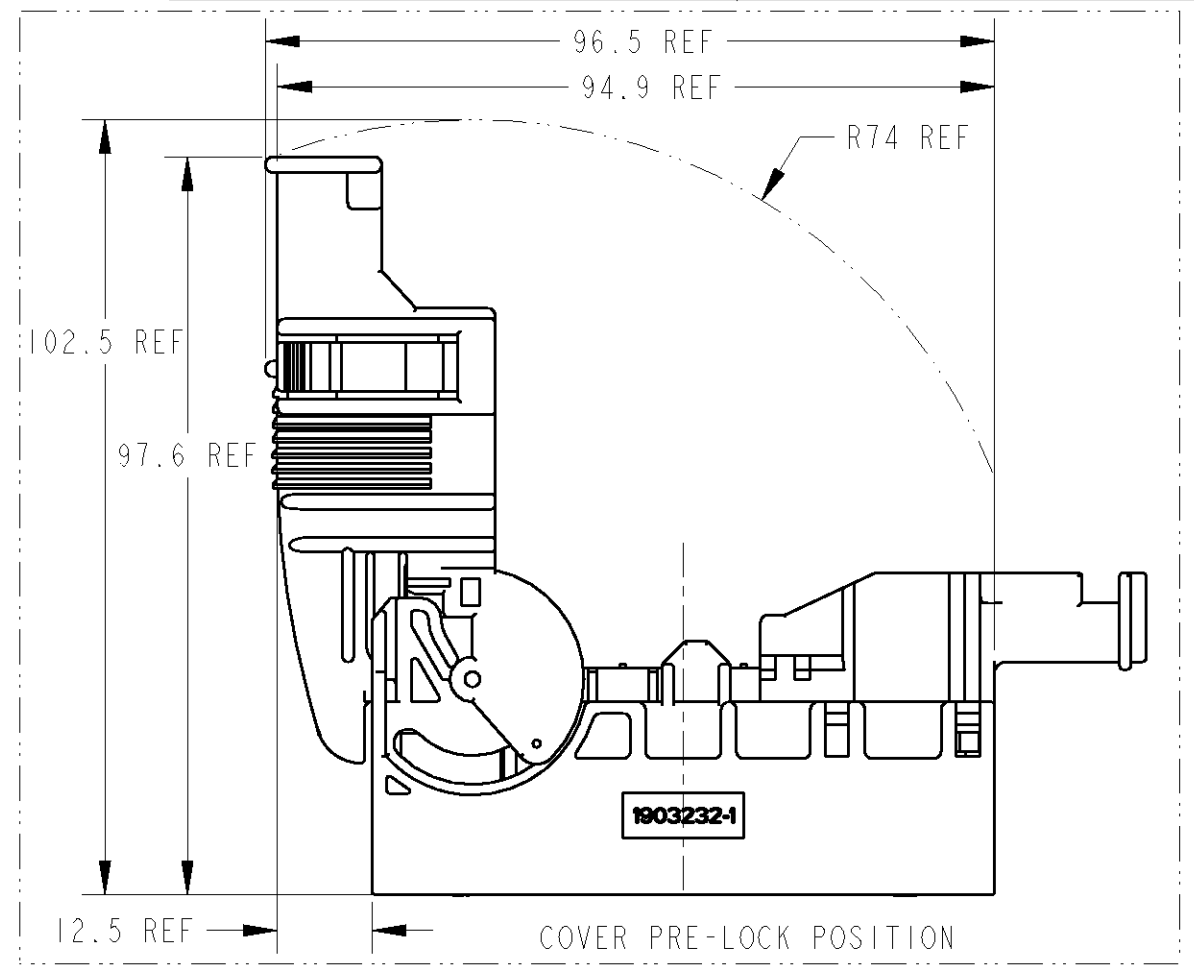
CIRCUIT NUMBER



PRODUCT NUMBER



C-C

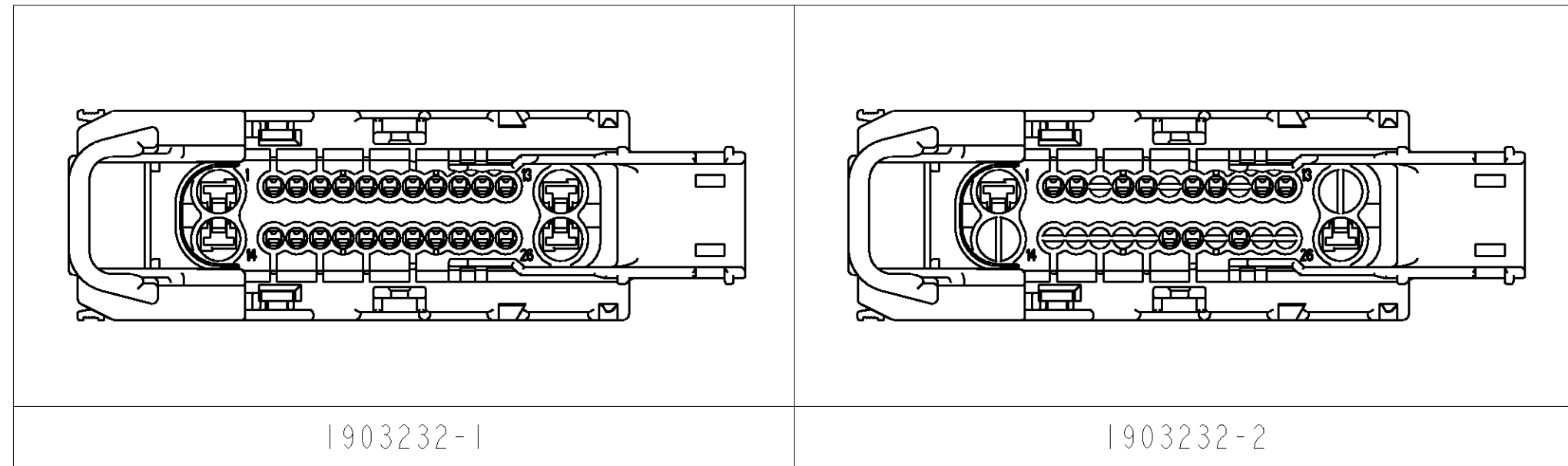


- APPLIED TERMINAL ;
 1.5mm CONTACT - PN900293-1, 1717173-1(CIRCUIT NO:2-12,15-25)
 4.8mm CONTACT - RECOMEND TERMINAL MADE BY YAZAKI (CIRCUIT NO:1,13,14,26)
 - MATING WITH CAP HOUSING SMOOTHLY.
 CAP HOUSING PRODUCT NUMBER ; 00290281/01 (MADE BY CONTINENTAL TEVES)
 - CLOSED CAVITY PATTERN ; SEE SHEET 2 OF 2.
- 適用端子型番 ;
 1.5mm 端子 - PN900293-1, 1717173-1(回路番号 NO:2-12,15-25)
 4.8mm 端子 - 推奨端子 矢崎社製 (回路番号 NO:1,13,14,26)
 - 相手ハウジングと支障なく嵌合出来ること。
 嵌合相手型番 ; 00290281/01 (コンティネンタル・テーブス社製)
 - キャビ埋めパターン ; シート2 OF 2 参照。

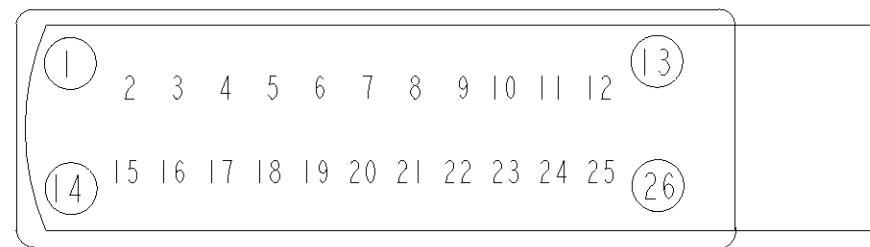
<small>THIS DRAWING IS A CONTROLLED DOCUMENT FOR TYCO ELECTRONICS CORPORATION IT IS SUBJECT TO CHANGE AND THE CONTROLLING ENGINEERING ORGANIZATION SHOULD BE CONTACTED FOR THE LATEST REVISION.</small>		DWN K.SHIGA 20DEC05 CHK Y.NOGUCHI 20DEC05 APVD Y.FUJIWARA 20DEC05		Tyco Electronics Corporation Kawasaki, Japan	
DIMENSIONS: 単位: 概 mm		TOLERANCES UNLESS OTHERWISE SPECIFIED: 一般公差 ±0.3 0-PLC ± 1-PLC ±0.5 2-PLC ±0.13 3-PLC ±0.013 4-PLC ±0.000J ANGLES ±1.00'		NAME 名称 1.5/4.8 ABS CONNECTOR PLUG HOUSING ASSEMBLY 26POSITION H-TYPE	
		PRODUCT SPEC 製品規格 108-78411		SIZE A3 CAGE CODE 00779 DRAWING NO 番号 C-1903232	
MATERIAL 材料 PBT		FINISH 仕上 BLACK		WEIGHT 87.5 g CUSTOMER DRAWING	
				RESTRICTED TO SCALE 尺度 : : SHEET 1 OF 2 REV C	

THIS DRAWING IS UNPUBLISHED.
 RELEASED FOR PUBLICATION 20
 © COPYRIGHT 20 BY TYCO ELECTRONICS CORPORATION. ALL RIGHTS RESERVED.

LOC	DIST	REVISIONS					
		P	LTR	DESCRIPTION	DATE	DWN	APVD
J	-	-	-	SEE SHEET 1	-	-	-



			X			X			X			X	X	X	X	X	X	X			X		X	X				13 POSITION	PLUG HOUSING ASSEMBLY	1903232-2	
																													26 POSITION	PLUG HOUSING ASSEMBLY	1903232-1
1	2	3	4	5	6	7	8	9	10	11	12	13	14	15	16	17	18	19	20	21	22	23	24	25	26		POSITION	NAME	PRODUCT NO		
																										極数	名称	製品番号			
CAVITY POSITON NUMBER(X SHOW CLOSED CAVITY)																															



VIEW TO WIRE END
 ○; 4.8 TERMINAL POSITINS

FIG. 1

1.5/4.8 PLUG HOUSING ASSEMBLY 26 POSITIONS H-TYPE CIRCUIT LAYOUT
 1.5/4.8 26極プラグハウジングアセンブリ Hタイプ 回路番号構成

THIS DRAWING IS A CONTROLLED DOCUMENT FOR TYCO ELECTRONICS CORPORATION IT IS SUBJECT TO CHANGE AND THE CONTROLLING ENGINEERING ORGANIZATION SHOULD BE CONTACTED FOR THE LATEST REVISION.

DIMENSIONS: 単位: 毫 mm	TOLERANCES UNLESS OTHERWISE SPECIFIED: 一般公差 0 PLC ±- 1 PLC ±0.5 2 PLC ±0.13 3 PLC ±0.013 4 PLC ±0.000J ANGLES ±1.00'	DWN S. SAKAGUCHI 16 JAN 06	Tyco Electronics Tyco Electronics Corporation Kawasaki, Japan	
	MATERIAL 材料	CHR	NAME 名称	
		APVD	1.5/4.8 ABS CONNECTOR PLUG HOUSING ASSEMBLY 26POSITION H-TYPE	
	FINISH 仕上	PRODUCT SPEC 製品規格	SIZE	RESTRICTED TO
		APPLICATION SPEC 取付適用規格	CAGE CODE	
		WEIGHT	DRAWING NO 番号	
CUSTOMER DRAWING			A3 00779	REV C
		SCALE 尺度	SHEET 2 OF 2	