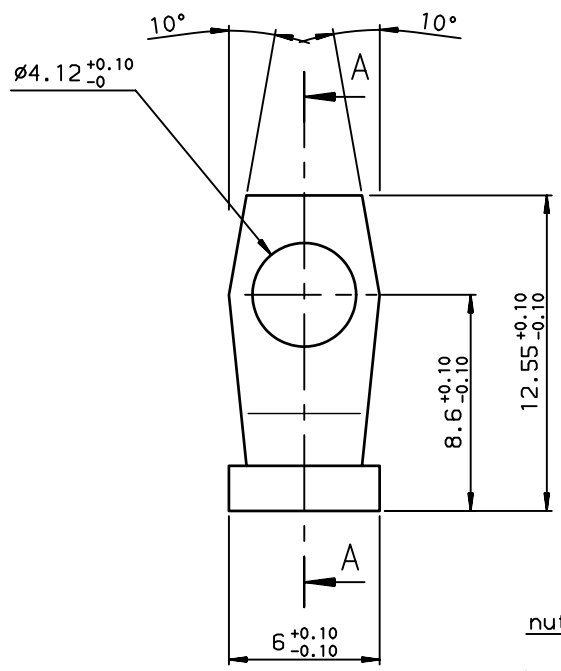
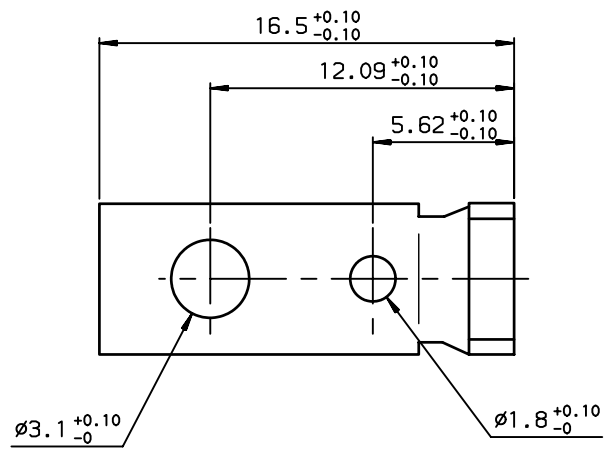
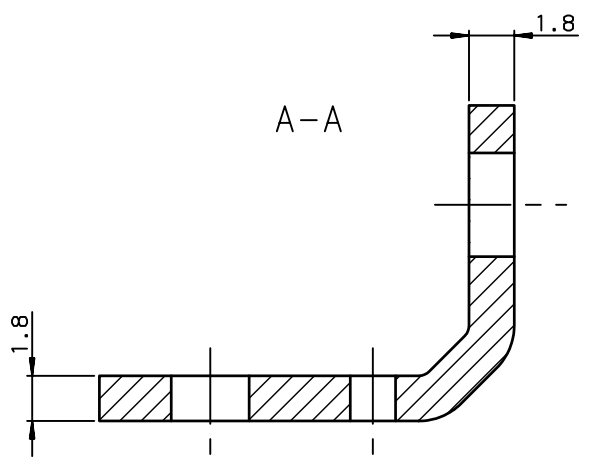


Copyright FCI, FCj

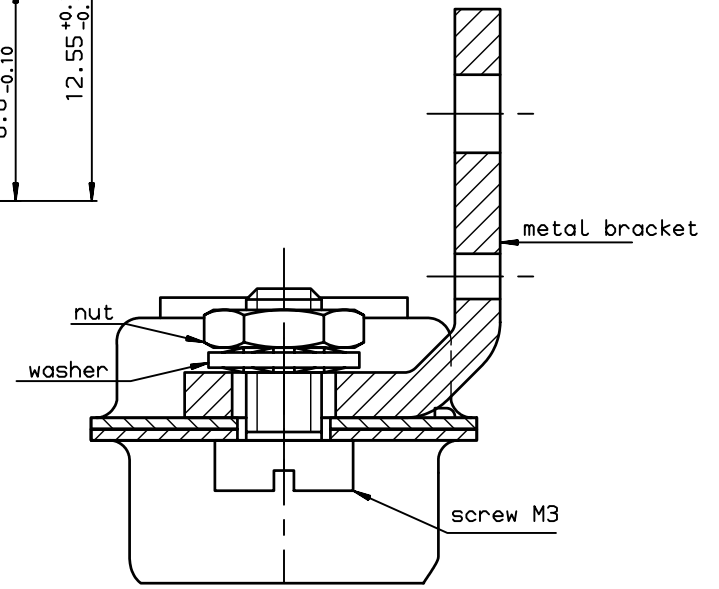


MATERIAL:
Steel . Cadmium plating

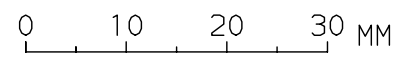
TEMPERATURE RANGE:
-Climatic category: -55° / +125°

PACKAGING:
Per 100 pieces

BRACKET MOUNTING



Part number **86552009**



REV F - 2006-04-17

rev	ecn no	dr	date
A	-	JOU	2003/02/20
B	LS06-0097	LGO	2006/07/28
C	LS09-0006	PCR	2009/01/08
-	-	-	-
-	-	-	-
-	-	-	-

www.fciconnect.com		surface ISO 1302 ✓	tolerance std ISO 406 ISO 1101	projection mm
TOLERANCES UNLESS OTHERWISE SPECIFIED				
Dr	JOUBERT	2003/02/20	ANGULAR	0.X ±0.1
Eng	PESSON	2003/02/20	LINEAR	0.XX ±0.1
Chr	LEGARE	2003/02/20	0.XX' ±2'	0.XXX ±0.1
Appr	LEGARE	2003/02/20	Product family	D-SUB
			size	A3
			Scale	5
			ECN	LS09-0006
			Spec ref	-
title		METAL BRACKETS		dwg no
D SUB ACCESSORIES				C01-8655-1575
catalog no				Rev. C
		CUSTOMER		sheet 1 of 1