

The ECS-75SMF Miniature SMD Monolithic Crystal Filter offers a narrow bandwidth and a 4 pole response in a 5 x 7 package.

[Request a Sample](#)



- 5 x 7 Footprint
- 4 Pole Filter
- Tape and Reel Packaging

OPERATING CONDITIONS / ELECTRICAL CHARACTERISTICS

| Part Number * | Center Frequency F_o | Passband Min. | | Stopband Max. | | Attenuation Guaranteed Min. | | Ripple Max. | Loss Max. | Terminating Impedance | Operating Temperature | No. of Poles |
|--------------------|------------------------|---------------|------------|---------------|------------|-----------------------------|------|-------------|-----------|-----------------------|-----------------------|--------------|
| | MHz | dB | KHz | dB | KHz | dB | KHz | dB | dB | Ω /pF | $^{\circ}\text{C}$ | |
| ECS-75SMF45A7.5B | 45.000 | 3 | ± 3.75 | 30 | ± 12.5 | 80 | -910 | 1.0 | 4.0 | 350//6.5 | -30 ~ +80 | 4 |
| ECS-75SMF45A20B | 45.000 | 3 | ± 10.0 | 25 | ± 25.0 | 80 | -910 | 1.0 | 3.0 | 500//2.5 | -30 ~ +80 | 4 |
| ECS-75SMF45A30B | 45.000 | 3 | ± 15.0 | 30 | ± 50.0 | 80 | -910 | 1.0 | 3.0 | 1000//1.0 | -30 ~ +80 | 4 |
| ECS-75SMF70.05A20B | 70.050 * | 3 | ± 10.0 | 20 | ± 25.0 | 70 | -910 | 1.0 | 4.0 | 2500//1.0 | -30 ~ +80 | 4 |

* Indicates 3rd Overtone

Package Dimensions (mm)

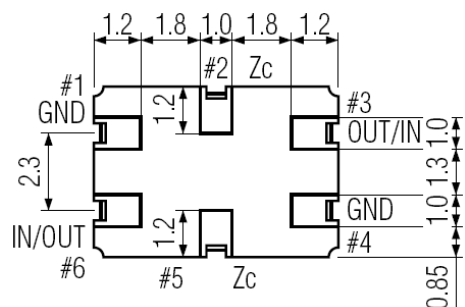
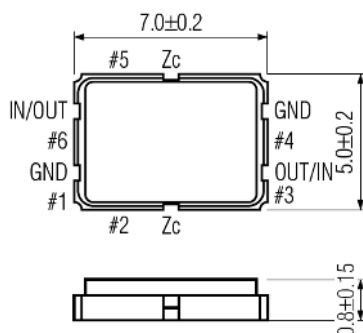


Figure 1) Top, Side and Bottom views

| Pin Connections | |
|-----------------|--------|
| #1 | Ground |
| #2 | Zc |
| #3 | Out/In |
| #4 | Ground |
| #5 | Zc |
| #6 | In/Out |

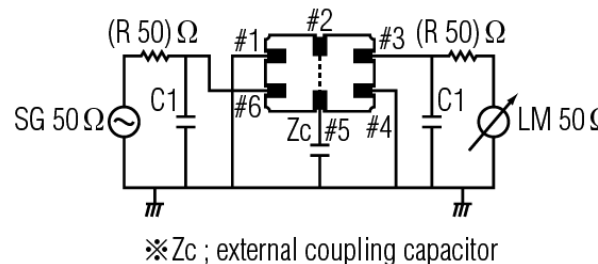


Figure 2) Test Circuit

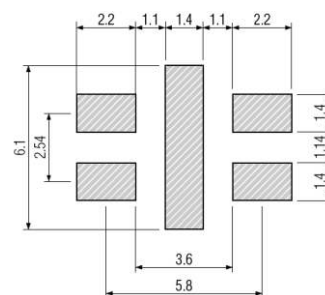


Figure 3) Land Pattern