

160534-1 ✓ ACTIVE

FASTON | FASTON 110

TE Internal #: 160534-1

Quick Disconnects, Receptacle, 20 – 17 AWG Wire Size, .5 – 1 mm²

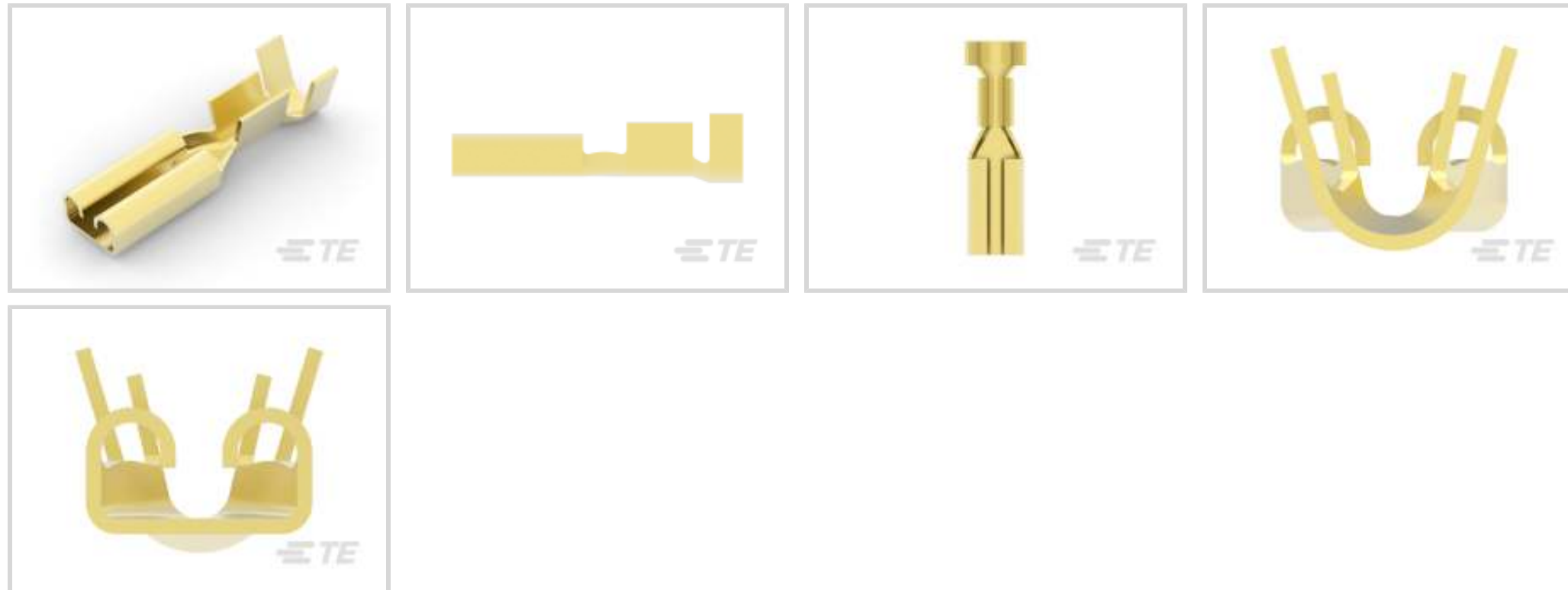
Wire Size, Mating Tab Width 2.8 mm [.11 in], Straight, Brass,

FASTON 110

[View on TE.com >](#)



Terminals & Splices > Quick Disconnects



Quick Disconnect Terminal Type: **Receptacle**

Wire Size: .5 – 1 mm²

Mating Tab Width: 2.8 mm [.11 in]

Mating Tab Thickness: .81 mm [.032 in]

Features

Product Type Features

Insertion Force	Low
-----------------	-----

Configuration Features

Connection Capacity	Single
---------------------	--------

Compatible With Wire & Cable Type	Discrete Wire
-----------------------------------	---------------

Electrical Characteristics

Voltage Rating	250 V
----------------	-------

Contact Features

Quick Disconnect Terminal Type	Receptacle
--------------------------------	------------

Mating Tab Width	2.8 mm [.11 in]
------------------	-----------------

Mating Tab Thickness	.81 mm [.032 in]
----------------------	------------------

Terminal Orientation	Straight
----------------------	----------

Contact Base Material	Brass
-----------------------	-------

Terminal Plating Material	Unplated
---------------------------	----------

Crimp Type	F-Crimp
------------	---------



Barrel Type	Open
-------------	------

Termination Features

Product Terminates To	Wire & Cable
-----------------------	--------------

Mechanical Attachment

Wire Insulation Support	With
-------------------------	------

Mating Retention Type	Dimple
-----------------------	--------

Dimensions

Terminal Material Thickness	.25 mm[.01 in]
-----------------------------	----------------

Product Length	14 mm[.551 in]
----------------	----------------

Compatible Insulation Diameter Range	2.03 – 3 mm[.08 – .118 in]
--------------------------------------	----------------------------

Wire Size	.5 – 1 mm ²
-----------	------------------------

Usage Conditions

Insulation Option	Uninsulated
-------------------	-------------

Operating Temperature Range	-40 – 110 °C[-40 – 230 °F]
-----------------------------	----------------------------

Industry Standards

Agency/Standard	CSA, UL
-----------------	---------

UL Flammability Rating	UL 94V-2
------------------------	----------

Packaging Features

Packaging Quantity	10000
--------------------	-------

Packaging Method	Strip/Reel
------------------	------------

Other

Terminals & Splices Comment	Chamfered, Versions according to DIN 46247, Part 1, all other versions have dimples, which fit IEC and ISO tabs of nominal Size 2.8.
-----------------------------	--

Product Compliance

[For compliance documentation, visit the product page on TE.com>](#)

EU RoHS Directive 2011/65/EU	Compliant
------------------------------	-----------

EU ELV Directive 2000/53/EC	Compliant
-----------------------------	-----------

China RoHS 2 Directive MIIT Order No 32, 2016	No Restricted Materials Above Threshold
---	---

EU REACH Regulation (EC) No. 1907/2006	Current ECHA Candidate List: JUNE 2023 (235)
--	--



Candidate List Declared Against: JAN 2023
 (233)

Does not contain REACH SVHC

Halogen Content

Low Halogen - Br, Cl, F, I < 900 ppm per homogenous material. Also BFR/CFR/PVC Free

Solder Process Capability

Not applicable for solder process capability

Product Compliance Disclaimer

This information is provided based on reasonable inquiry of our suppliers and represents our current actual knowledge based on the information they provided. This information is subject to change. The part numbers that TE has identified as EU RoHS compliant have a maximum concentration of 0.1% by weight in homogenous materials for lead, hexavalent chromium, mercury, PBB, PBDE, DBP, BBP, DEHP, DIBP, and 0.01% for cadmium, or qualify for an exemption to these limits as defined in the Annexes of Directive 2011/65/EU (RoHS2). Finished electrical and electronic equipment products will be CE marked as required by Directive 2011/65/EU. Components may not be CE marked. Additionally, the part numbers that TE has identified as EU ELV compliant have a maximum concentration of 0.1% by weight in homogenous materials for lead, hexavalent chromium, and mercury, and 0.01% for cadmium, or qualify for an exemption to these limits as defined in the Annexes of Directive 2000/53/EC (ELV). Regarding the REACH Regulation, the information TE provides on SVHC in articles for this part number is based on the latest European Chemicals Agency (ECHA) 'Guidance on requirements for substances in articles' posted at this URL: <https://echa.europa.eu/guidance-documents/guidance-on-reach>

Compatible Parts






TE Part # 7-2150203-1
 OCEAN_2.0_APPLICATOR-E-070F120F



TE Part # 7-2150203-2
 OCEAN_2.0_APPLICATOR-E-070F120FA



TE Part # 7-2150203-7
 OCEAN_2.0_SPARE_PART_KIT-070F120F
 KIT REPRESENTATION ONLY



TE Part # 880682-1
 FASTON 250 PIGGY-BACK REC 0.5-1.0 MM2 BR




TE Part # 881607-1
 110 FASTON REC 20-17 AWG BR




TE Part # 881608-2
 .110 S. FASTON REC.


Also in the Series | **FASTON 110**



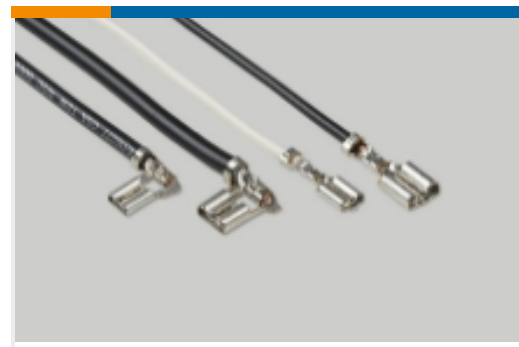
Crimp Terminal Housings(13)



Insertion & Extraction Tools(1)



PCB Terminals(21)



Quick Disconnects(172)

Customers Also Bought



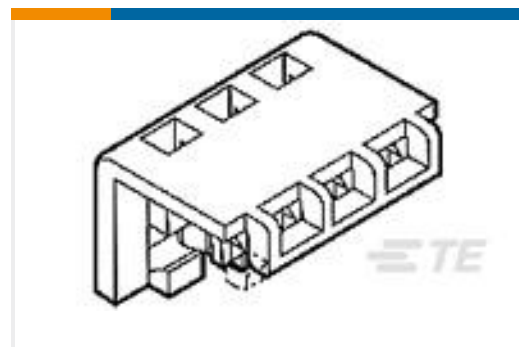
TE Part #1-826634-0
 MOD2 PIN HEADER 10P



TE Part #928344-3
 3P STD TIMER GEH



TE Part #100570-2
 250 FASTON,REC.,14-17AWG,TPBR



TE Part #643067-5
 05P MTA156 MOLDED COVER



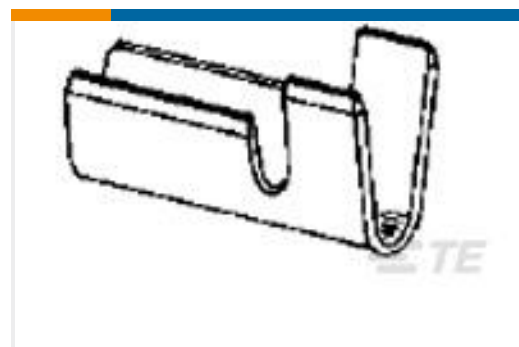
TE Part #1-1241961-8
 STD TIM HOUSING MKII 3POS



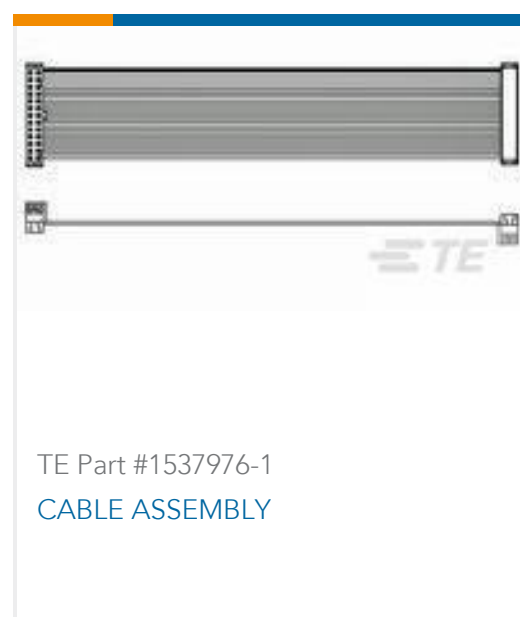
TE Part #170002-5
 SHUR PLUG 20-14 AWG 0.5 X 11.44 TPBR



TE Part #3-928344-4
 4P STD TIMER GEH



TE Part #926867-2
 AM WIRE PIN 13-10 .013 PTPB



Documents

Product Drawings

110 FASTON,REC.,17-20 AWG,BR

English

CAD Files

3D PDF

3D

Customer View Model

[ENG_CVM_CVM_160534-1_T_c-160534-1-t.2d_dxf.zip](#)

English

Customer View Model

[ENG_CVM_CVM_160534-1_T_c-160534-1-t.3d_igs.zip](#)

English

Customer View Model

[ENG_CVM_CVM_160534-1_T_c-160534-1-t.3d_stp.zip](#)

English

By downloading the CAD file I accept and agree to the [Terms and Conditions](#) of use.

Product Specifications

Application Specification

English

Product Environmental Compliance

TE Material Declaration

English

Agency Approvals

UL Report

English