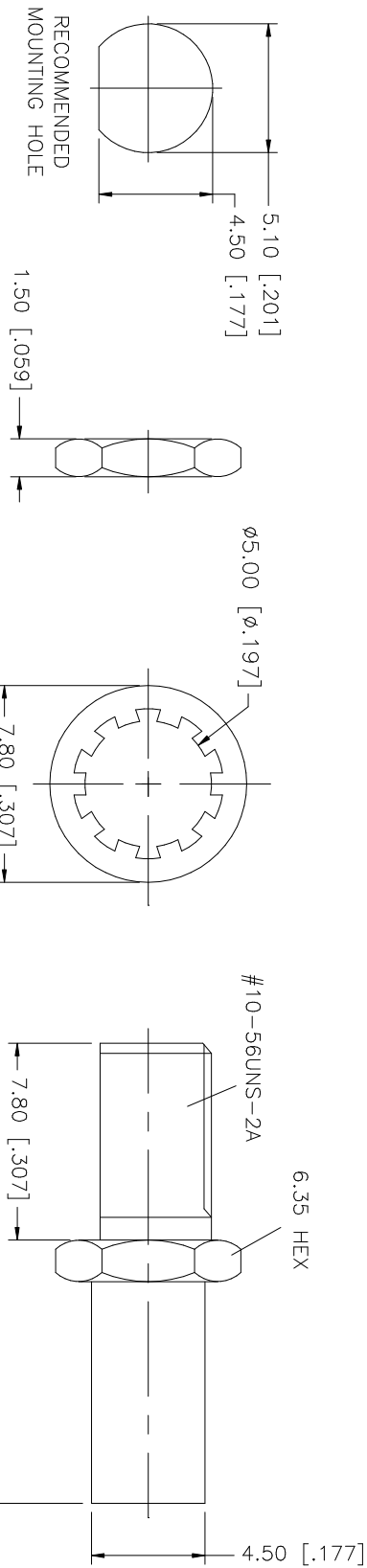


REV.	DATE	DESCRIPTION
NC	08/30/99	INITIAL RELEASE
A	07/20/05	UPDATE DRAWING FORMAT



QTY	FINISH	MATERIAL	DESCRIPTION
1	GOLD	BRASS	HEX NUT
1	GOLD	BRASS	LOCK WASHER
1	GOLD	BER. COPPER	CONTACT PIN
1	NATURAL	TEFLON	INSULATOR
1	GOLD	BRASS	BODY

UNLESS OTHERWISE SPECIFIED DIMENSIONS ARE IN INCHES AND FOR CUSTOMER REFERENCE ONLY.	UNLESS OTHERWISE SPECIFIED DIMENSIONS ARE IN MILLIMETERS ARE:
TOLERANCES FOR MILLIMETERS ARE:	TOLERANCES FOR INCHES ARE:
0.5 - 8mm \pm 0.20mm	.020 - .315 = \pm 0.007"
8 - 30mm \pm 0.40mm	.315 - 1.180 = \pm 0.015"
30 - 120mm \pm 0.50mm	1.180 - 4.724 = \pm 0.020"

APPROVALS	DATE
DRAWN G.R.S.	07/20/05
CHECKED	
ISSUED	
SHEET 1 OF 1	

CAD FILE	C:/252/252171.DWG	DWG. NO.	252171.DWG	REV.	A	SIZE	A	SCALE	NA
----------	-------------------	----------	------------	------	---	------	---	-------	----

Amphenol Connex	
PART DESCRIPTION	
MCX BULKHEAD JACK TO JACK ADAPTER	
PART NO.	252171