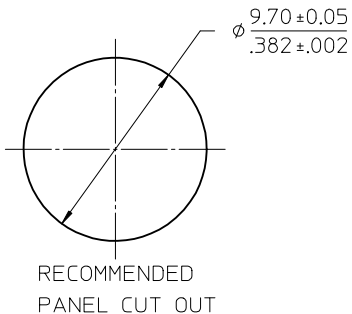
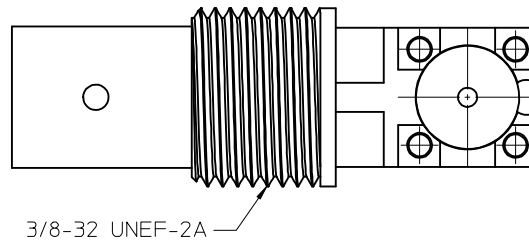
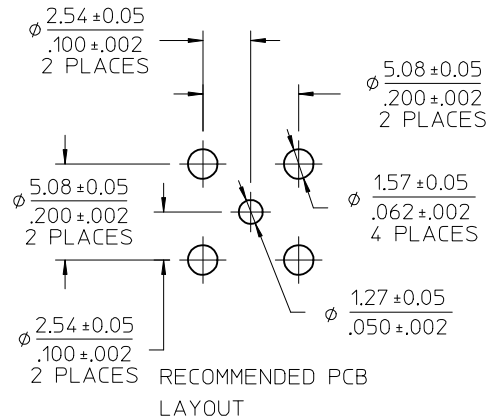
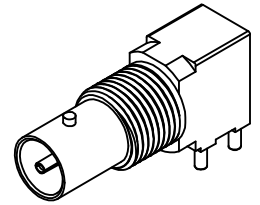
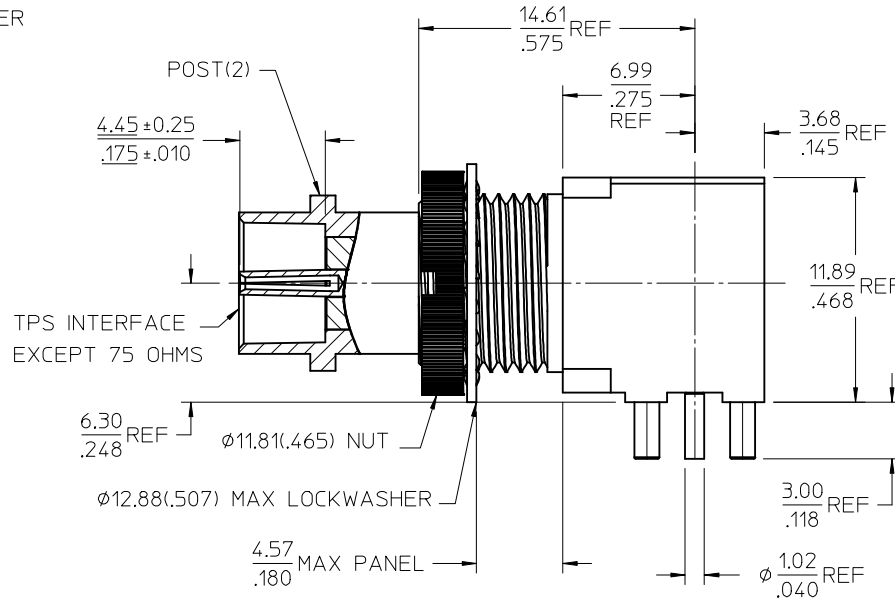
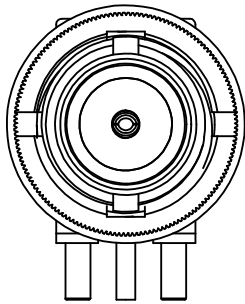


MATERIALS AND FINISHES

BODY ZINC
PLATED SEE TABLE

CENTER CONTACT BERYLLIUM COPPER
PLATED GOLD

INSULATOR TEFLON (PTFE)



73415-2204	SINGLE BAG VERSION OF 73415-2202
73415-2203	SINGLE BAG VERSION OF 73415-2201
73415-2202	NICKEL/ TRAY
73415-2201	GOLD 10μ INCHES MAX OVER NICKEL 100μ INCHES/TRAY
73415-2200	OBSOLETE
PART NO.	PLATING & PACKAGING

CHG: ADDED PKG 73415-2201/2202 PER RF15-E327 EC NO: URF2016-0218 DRW:WCE102 2015/09/16 CHKD: APPR:YCHENG 2015/09/18 REV: B4	QUALITY SYMBOLS ∇=0 ∇=0 ∇=0	GENERAL TOLERANCES (UNLESS SPECIFIED)		DIMENSION STYLE MM/IN	SCALE	DESIGN UNITS METRIC	THIRD ANGLE PROJECTION		
		4 PLACES ± --- ± --- 3 PLACES ± --- ± --- 2 PLACES ± --- ± --- 1 PLACE ± --- ± --- 0 PLACE ± ±	INCH ± --- ± --- ± --- ± --- ± --- ± --- ± ±	DRAWN BY SSS	DATE 2000/06/26	TITLE TPS JACK, R/A, PCB BLKHD, 75 OHMS EWR-1090 TPS-J/PCB			
		ANGULAR ± 2 °		APPROVED BY GMH	DATE 2000/06/27	DOCUMENT NO. SD-73415-220			
		DRAFT WHERE APPLICABLE MUST REMAIN WITHIN DIMENSIONS		MATERIAL NO. SEE TABLE	SIZE C	SHEET NO. 1 OF 1			

THIS DRAWING CONTAINS INFORMATION THAT IS PROPRIETARY TO MOLEX INCORPORATED AND SHOULD NOT BE USED WITHOUT WRITTEN PERMISSION