



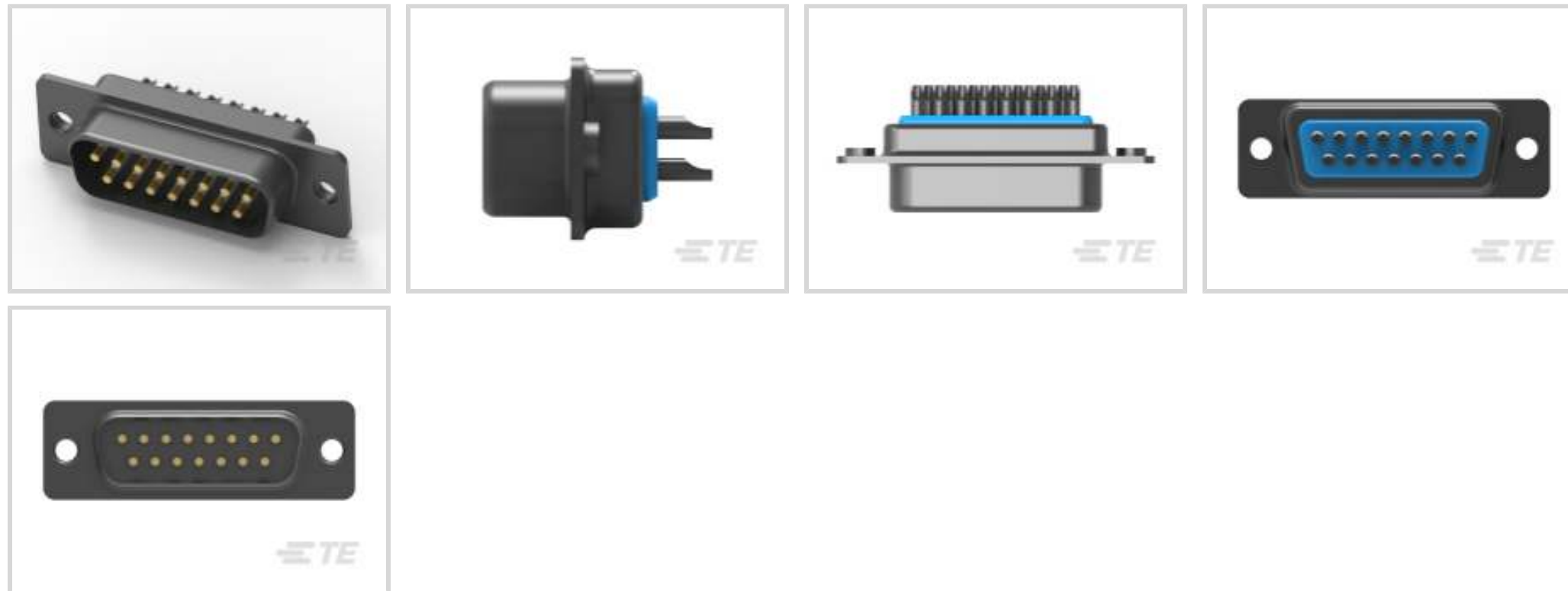
**AMPLIMITE**

TE Internal #: 4-1393483-8

Solder D-Sub Connectors, Plug, Cable-to-Board, 15 Position,  
Contact Size Size 20, 2 Connector Shell Size, Mating Retention

[View on TE.com >](#)

Connectors > D-Shaped Connectors > D-Sub Connectors > Solder D-Sub Connectors



Connector & Housing Type: **Plug**  
 Connector System: **Cable-to-Board**  
 Number of Positions: **15**  
 Contact Size: **Size 20**  
 Connector Shell Size: **2**

**Features**

**Product Type Features**

Shell Material Configuration	Front Metal Shell
Ground Feature Type	Grounding Indents
Connector & Housing Type	Plug
Connector System	Cable-to-Board
Connector Shell Size	2
Sealable	No
Connector & Contact Terminates To	Printed Circuit Board

**Configuration Features**

Number of Positions	15
---------------------	----

**Body Features**

Cable Exit Angle	180°
Shell Plating Material	Tin over Nickel
Primary Product Color	Gray

**Contact Features**

--	--



Contact Type	Pin
Contact Mating Area Plating Material Thickness	.08 μm
Contact Mating Area Plating Material	Gold
PCB Contact Termination Area Plating Material	Tin
Contact Base Material	Brass
Contact Size	Size 20
Contact Current Rating (Max)	3 A

### Termination Features

Termination Method to Wire & Cable	Solder
------------------------------------	--------

### Mechanical Attachment

PCB Mount Retention Type	None
Mating Retention	With
Mating Retention Type	Mounting Holes
Connector Mounting Type	Board Mount

### Housing Features

Shell Material	Steel
Housing Material	Thermoplastic
Centerline (Pitch)	2.74 mm [.11 in]

### Usage Conditions

Operating Temperature Range	-55 – 125 °C [-67 – 257 °F]
-----------------------------	-----------------------------

### Operation/Application

Shielded	Yes
Circuit Application	Signal

### Industry Standards

UL Flammability Rating	UL 94V-0
------------------------	----------

### Packaging Features

Packaging Method	Tray
------------------	------

### Product Compliance

[For compliance documentation, visit the product page on TE.com>](#)

EU RoHS Directive 2011/65/EU	Compliant
EU ELV Directive 2000/53/EC	Compliant



China RoHS 2 Directive MIIT Order No 32, 2016	No Restricted Materials Above Threshold
EU REACH Regulation (EC) No. 1907/2006	Current ECHA Candidate List: JUNE 2023 (235) Candidate List Declared Against: JUNE 2022 (224) Does not contain REACH SVHC
Halogen Content	Not Low Halogen - contains Br or Cl > 900 ppm.
Solder Process Capability	Hand solderable with lead free solder

Product Compliance Disclaimer

This information is provided based on reasonable inquiry of our suppliers and represents our current actual knowledge based on the information they provided. This information is subject to change. The part numbers that TE has identified as EU RoHS compliant have a maximum concentration of 0.1% by weight in homogenous materials for lead, hexavalent chromium, mercury, PBB, PBDE, DBP, BBP, DEHP, DIBP, and 0.01% for cadmium, or qualify for an exemption to these limits as defined in the Annexes of Directive 2011/65/EU (RoHS2). Finished electrical and electronic equipment products will be CE marked as required by Directive 2011/65/EU. Components may not be CE marked. Additionally, the part numbers that TE has identified as EU ELV compliant have a maximum concentration of 0.1% by weight in homogenous materials for lead, hexavalent chromium, and mercury, and 0.01% for cadmium, or qualify for an exemption to these limits as defined in the Annexes of Directive 2000/53/EC (ELV). Regarding the REACH Regulation, the information TE provides on SVHC in articles for this part number is based on the latest European Chemicals Agency (ECHA) 'Guidance on requirements for substances in articles' posted at this URL: <https://echa.europa.eu/guidance-documents/guidance-on-reach>

### Compatible Parts



TE Part # 5-747908-2  
15 Plug Solder Cup, Gold Flash

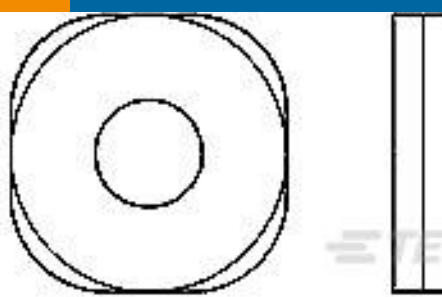
### Customers Also Bought



TE Part #5-106505-2  
9P.HDP20 REC.ASSY.



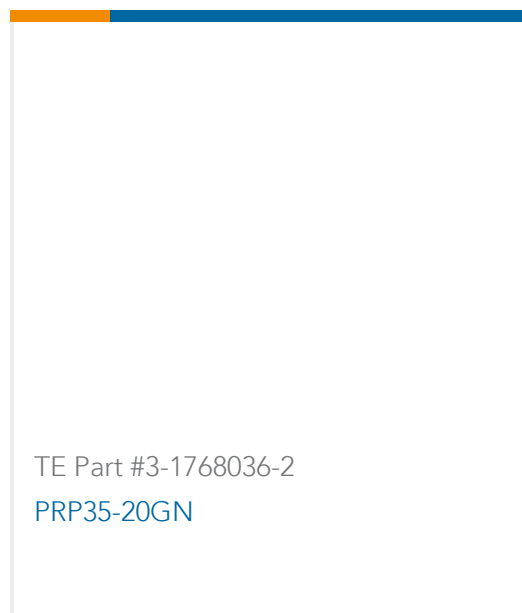
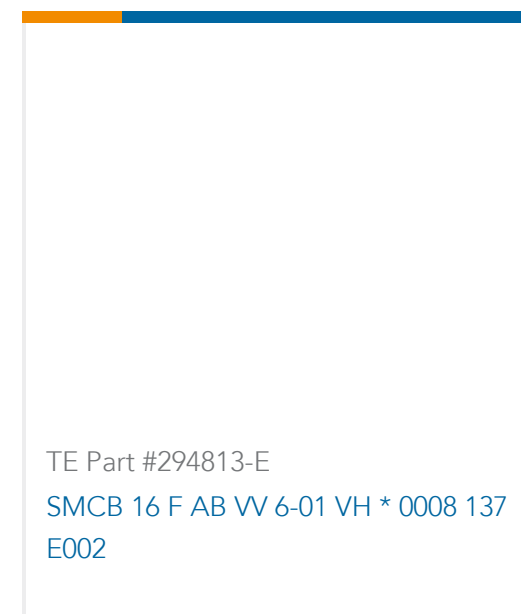
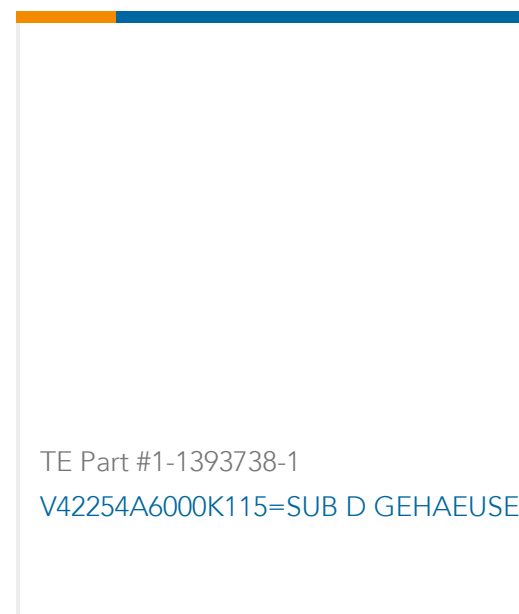
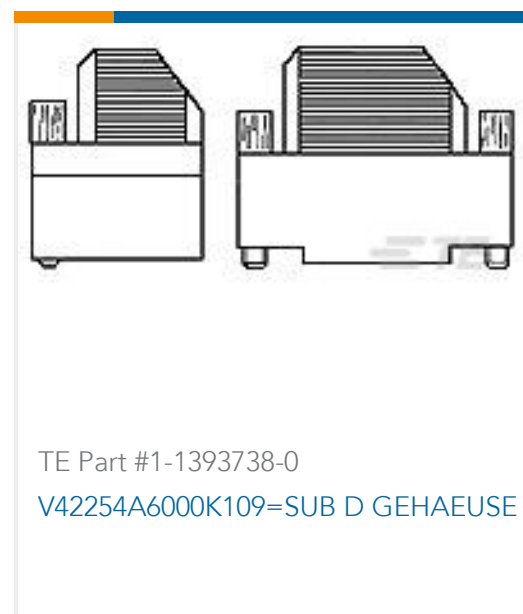
TE Part #1-2198617-5  
Ni Plated Plastic Backshell, 15 Way, Str



TE Part #5-1393561-7  
V42254A6209L 1=SUB D KABELTUE



TE Part #1-2186502-1  
T3224-PRINTER



## Documents

### Product Drawings

[V42254A1115C215=SUB D STIFTLEI](#)

English

### CAD Files

Customer View Model

[ENG\\_CVM\\_CVM\\_4-1393483-8\\_A.2d\\_dxf.zip](#)

English

3D PDF

3D

Customer View Model

[ENG\\_CVM\\_CVM\\_4-1393483-8\\_A.3d\\_igs.zip](#)

English

Customer View Model

[ENG\\_CVM\\_CVM\\_4-1393483-8\\_A.3d\\_stp.zip](#)

English

By downloading the CAD file I accept and agree to the [Terms and Conditions](#) of use.

### Datasheets & Catalog Pages

[AMPLIMITE Subminiature D Connectors - Subminiature D Connectors for Cable Mounting](#)

English

### Product Environmental Compliance

[TE Material Declaration](#)

English