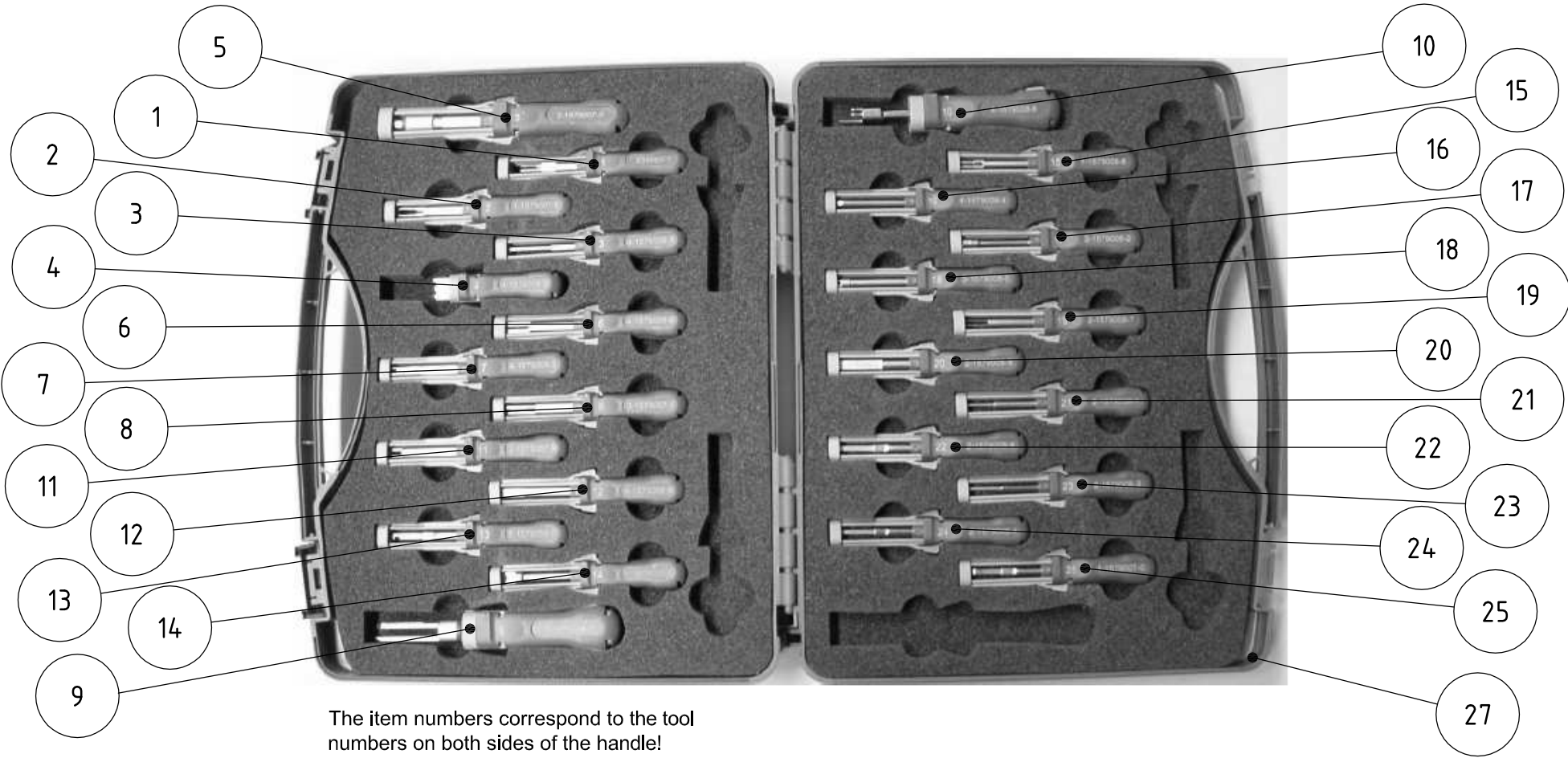


THIS DRAWING IS UNPUBLISHED.


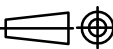
RELEASED FOR PUBLICATION

© COPYRIGHT - BY TYCO ELECTRONICS CORPORATION. ALL INTERNATIONAL RIGHTS RESERVED.



REVISIONS				DATE	DWN	APVD
P	LTR	DESCRIPTION				
	B2	ECR-15-018543		02FEB16	KH	RG



The item numbers correspond to the tool numbers on both sides of the handle!

<b>THIS DRAWING IS A CONTROLLED DOCUMENT.</b>		DWN G. Stegmayer 10DEC06	 TE Connectivity	
		CHK G. Stegmayer 24MAY07		
DIMENSIONS: mm		TOLERANCES UNLESS OTHERWISE SPECIFIED:		NAME G. Stegmayer 24MAY07
		0 PLC ± - 1 PLC ± - 2 PLC ± - 3 PLC ± - 4 PLC ± - ANGLES ± -		
MATERIAL		FINISH		PRODUCT SPEC -
		WEIGHT		APPLICATION SPEC -
		SIZE A3		CAGE CODE 00779
		DRAWING NO G=4-1579010-0		RESTRICTED TO -
		SCALE 1:1		SHEET 1 OF 3
		CUSTOMER DRAWING		REV B2

POS	QTY	TE/PN	REV	DESCRIPTION	S=Spare Parts W=Wear Parts	S	W
1	1	0-0539960-1	A	EXTRACTION TOOL ENTRIEGELUNGSWERKZEUG		<input checked="" type="checkbox"/>	<input checked="" type="checkbox"/>
2	1	1-1579007-6	A	EXTRACTION TOOL ENTRIEGELUNGSWERKZEUG		<input checked="" type="checkbox"/>	<input checked="" type="checkbox"/>
3	1	4-1579008-5	B	EXTRACTION TOOL ENTRIEGELUNGSWERKZEUG		<input checked="" type="checkbox"/>	<input checked="" type="checkbox"/>
4	1	4-1579008-2	A	EXTRACTION TOOL ENTRIEGELUNGSWERKZEUG		<input checked="" type="checkbox"/>	<input checked="" type="checkbox"/>
5	1	2-1579007-0	A	EXTRACTION TOOL ENTRIEGELUNGSWERKZEUG		<input checked="" type="checkbox"/>	<input checked="" type="checkbox"/>
6	1	4-1579008-6	B	EXTRACTION TOOL ENTRIEGELUNGSWERKZEUG		<input checked="" type="checkbox"/>	<input checked="" type="checkbox"/>
7	1	4-1579008-3	A	EXTRACTION TOOL ENTRIEGELUNGSWERKZEUG		<input checked="" type="checkbox"/>	<input checked="" type="checkbox"/>
8	1	3-1579007-1	A	EXTRACTION TOOL ENTRIEGELUNGSWERKZEUG		<input checked="" type="checkbox"/>	<input checked="" type="checkbox"/>
9	1	4-1579008-7	A	EXTRACTION TOOL ENTRIEGELUNGSWERKZEUG		<input checked="" type="checkbox"/>	<input checked="" type="checkbox"/>
10	1	4-1579008-8	A	EXTRACTION TOOL ENTRIEGELUNGSWERKZEUG		<input checked="" type="checkbox"/>	<input checked="" type="checkbox"/>
11	1	2-1579007-9	A	EXTRACTION TOOL ENTRIEGELUNGSWERKZEUG		<input checked="" type="checkbox"/>	<input checked="" type="checkbox"/>
12	1	4-1579008-9	A	EXTRACTION TOOL ENTRIEGELUNGSWERKZEUG		<input checked="" type="checkbox"/>	<input checked="" type="checkbox"/>
13	1	5-1579008-0	A	EXTRACTION TOOL ENTRIEGELUNGSWERKZEUG		<input checked="" type="checkbox"/>	<input checked="" type="checkbox"/>
14	1	1-1579008-2	B	EXTRACTION TOOL ENTRIEGELUNGSWERKZEUG		<input checked="" type="checkbox"/>	<input checked="" type="checkbox"/>
15	1	1-1579008-8	A	EXTRACTION TOOL ENTRIEGELUNGSWERKZEUG		<input checked="" type="checkbox"/>	<input checked="" type="checkbox"/>
16	1	4-1579008-4	A	EXTRACTION TOOL ENTRIEGELUNGSWERKZEUG		<input checked="" type="checkbox"/>	<input checked="" type="checkbox"/>
17	1	2-1579008-2	A	EXTRACTION TOOL ENTRIEGELUNGSWERKZEUG		<input checked="" type="checkbox"/>	<input checked="" type="checkbox"/>
18	1	3-1579008-0	A	EXTRACTION TOOL ENTRIEGELUNGSWERKZEUG		<input checked="" type="checkbox"/>	<input checked="" type="checkbox"/>
19	1	2-1579008-7	A	EXTRACTION TOOL ENTRIEGELUNGSWERKZEUG		<input checked="" type="checkbox"/>	<input checked="" type="checkbox"/>
20	1	2-1579008-9	A	EXTRACTION TOOL ENTRIEGELUNGSWERKZEUG		<input checked="" type="checkbox"/>	<input checked="" type="checkbox"/>
21	1	2-1579008-1	A	EXTRACTION TOOL ENTRIEGELUNGSWERKZEUG		<input checked="" type="checkbox"/>	<input checked="" type="checkbox"/>
22	1	2-1579008-8	A	EXTRACTION TOOL ENTRIEGELUNGSWERKZEUG		<input checked="" type="checkbox"/>	<input checked="" type="checkbox"/>
23	1	2-1579008-3	A	EXTRACTION TOOL ENTRIEGELUNGSWERKZEUG		<input checked="" type="checkbox"/>	<input checked="" type="checkbox"/>
24	1	2-1579008-4	A	EXTRACTION TOOL ENTRIEGELUNGSWERKZEUG		<input checked="" type="checkbox"/>	<input checked="" type="checkbox"/>
25	1	1-1579007-0	A	EXTRACTION TOOL ENTRIEGELUNGSWERKZEUG		<input checked="" type="checkbox"/>	<input checked="" type="checkbox"/>
27	1	1-1579006-6	A	CASE W.FOAM KOFFERMIT SCHAUMEINL.		<input checked="" type="checkbox"/>	<input type="checkbox"/>

<b>REMARKS:</b> Extraction Tool Kit, Renault The item numbers correspond to the tool numbers on both sides of the handle!										<b>USED ON</b>		
P	LTR	REVISION RECORD				DATE	DWN	APVD	PRINTED	DWN	CHK	APVD
-	A	SEE SHEET 1				-	-	-	15FEB16	18DEC06	18DEC06	18DEC06
-	B	SEE SHEET 1				-	-	-	G.STEGMAYER	G.STEGMAYER	G.STEGMAYER	G.STEGMAYER
-	B1	SEE SHEET 1				-	-	-	WEIGHT	DIMENSION (mm)	MATERIAL	HT TR
-	B2	SEE SHEET 1				-	-	-	-	-	-	-
 TOLERANCES UNLESS OTHERWISE SPECIFIED SEE SHEET 1								 <b>TE Connectivity</b> <b>SPARE AND WEAR PARTS LIST</b>				
THIS DRAWING IS A CONTROLLED DOCUMENT FOR TYCO ELECTRONICS CORPORATION. IT IS SUBJECT TO CHANGE AND THE CONTROLLING ENGINEERING ORGANIZATION SHOULD BE CONTACTED FOR THE LATEST REVISION.										RESTRICTED TO		
DIESES ZEICHNUNGSDOKUMENT WIRD DURCH TYCO ELECTRONICS CORPORATION KONTROLLIERT. ÄNDERUNGEN DIE DEM TECHNISCHEN FORTSCHRITT DIENEN, SIND VORBEHALTEN. DEN JEWEILS LETZTGÜLTIGEN ÄNDERUNGSSTAND ERFAHREN SIE AUF ANFRAGE										-		
NAME EXTRACTION TOOL KIT												
SCALE SEE SHEET 1			SIZE A4		DRAWING NO C-4-1579010-0			SHEET 2/3		REV B2		

POS	QTY	TE/PN	REV	DESCRIPTION	S=Spare Parts W=Wear Parts	S	W
28	1	7-0744012-2	A	CUSTOMER MANUAL BEDIENUNGSANLEITUNG IS 412-18769		<input checked="" type="checkbox"/>	<input type="checkbox"/>

**REMARKS:** Extraction Tool Kit, Renault  
The item numbers correspond to the tool numbers on both sides of the handle!

**USED ON**

P	LTR	REVISION RECORD	DATE	DWN	APVD	PRINTED	DWN	CHK	APVD
-	A	SEE SHEET 1	-	-	-	15FEB16	G.STEGMAYER	G.STEGMAYER	G.STEGMAYER
-	B	SEE SHEET 1	-	-	-	<b>WEIGHT</b>	<b>DIMENSION (mm)</b>	<b>MATERIAL</b>	<b>HT TR</b>
-	B1	SEE SHEET 1	-	-	-	-	-	-	-
-	B2	SEE SHEET 1	-	-	-	<b>TE Connectivity</b> <b>SPARE AND WEAR PARTS LIST</b>			
THIS DRAWING IS A CONTROLLED DOCUMENT FOR TYCO ELECTRONICS CORPORATION. IT IS SUBJECT TO CHANGE AND THE CONTROLLING ENGINEERING ORGANIZATION SHOULD BE CONTACTED FOR THE LATEST REVISION.									
DIESES ZEICHNUNGSDOKUMENT WIRD DURCH TYCO ELECTRONICS CORPORATION KONTROLLIERT. ÄNDERUNGEN DIE DEM TECHNISCHEN FORTSCHRITT DIENEN, SIND VORBEHALTEN. DEN JEWEILS LETZTGÜLTIGEN ÄNDERUNGSSTAND ERFAHREN SIE AUF ANFRAGE						<b>NAME</b> EXTRACTION TOOL KIT <b>RESTRICTED TO</b> -			
<b>SCALE</b> SEE SHEET 1		<b>SIZE</b> A4		<b>DRAWING NO</b> C-4-1579010-0		<b>SHEET</b> 3/3		<b>REV</b> B2	