


# SACB- 8/4-C QO-0,34

Order No.: 1548435



<http://eshop.phoenixcontact.de/phoenix/treeViewClick.do?UID=1548435>

Sensor/actuator box, QUICKON, 0.14 mm<sup>2</sup> ... 0.34 mm<sup>2</sup>, Number of slots: 8, Number of positions: 4, Slot assignment: Double, Status indication: No, Universal 180°, Shielding: No

Commercial data	
GTIN (EAN)	4  046356 142908
Note	Made-to-order
sales group	D105
Pack	1 pcs.
Customs tariff	85366990
Catalog page information	Page 118 (PC-2009)

#### Product notes

WEEE/RoHS-compliant since:  
01/03/2008



<http://www.download.phoenixcontact.com>  
Please note that the data given here has been taken from the online catalog. For comprehensive information and data, please refer to the user documentation. The General Terms and Conditions of Use apply to Internet downloads.

Technical data	
<b>General data</b>	
Rated voltage	48 V
	60 V DC
Current carrying capacity per I/O signal	2 A
Current carrying capacity per slot	4 A

Total rated current	10 A
	2x 8 A (For electrical isolation)
Number of positions	4
Number of slots	8
Degree of protection	IP65/IP67/IP69K
Inflammability class acc. to UL 94	V0
Ambient temperature (operation)	-30 °C ... 80 °C
Sensor/actuator connection system	QUICKON

#### Master cable data

Type of connection	Pluggable screw connection
Conductor cross-section min. (signal)	0.14 mm <sup>2</sup>
Conductor cross-section max. (signal)	1.5 mm <sup>2</sup>
Conductor cross-section AWG min. (signal)	26
Conductor cross-section AWG max. (signal)	16
Conductor cross-section min. (energy)	0.14 mm <sup>2</sup>
Conductor cross-section max. (energy)	1.5 mm <sup>2</sup>
Conductor cross-section AWG min. (energy)	26
Conductor cross-section AWG max. (energy)	16
External cable diameter min.	7 mm
External cable diameter max.	12 mm
Stripping length	7 mm
Tightening torque, cover screw	0.35 Nm
Tightening torque, union nut	2.5 Nm

#### Conductor data

Structure of individual litz in acc. with VDE 0295 / smallest wire diameter	Class 2-6
Wire insulation material	PVC/PE/PP
Wire diameter including insulation	0.7 mm ... 1.3 mm
Minimum external conductor diameter	3.5 mm
Maximum external conductor diameter	6 mm
Tightening torque, union nut	2 Nm
Wrench size, union nut	13 mm
Conductor cross section stranded max.	0.34 mm <sup>2</sup>
Conductor cross section stranded min.	0.14 mm <sup>2</sup>
Conductor cross section AWG/kcmil min.	26

Conductor cross section AWG/kcmil max	22
<b>Insulation material</b>	
Housing material	PBT
Material of the moulding mass	PUR
Contact material	Steel/copper
Contact surface material	Sn
Material of contact, master cable side	CU alloy
Material of contact surface, master cable side	Gold-plated
Material of the contact carrier on the master cable side	PA 66 V0
<b>Pin assignment</b>	
Slot/position = Wire color or connection	1 / 4 (A) = 1 / 4
	1 / 2 (B) = 1 / 2
	2 / 4 (A) = 2 / 4
	2 / 2 (B) = 2 / 2
	3 / 4 (A) = 3 / 4
	3 / 2 (B) = 3 / 2
	4 / 4 (A) = 4 / 4
	4 / 2 (B) = 4 / 2
	5 / 4 (A) = 5 / 4
	5 / 2 (B) = 5 / 2
	6 / 4 (A) = 6 / 4
	6 / 2 (B) = 6 / 2
	7 / 4 (A) = 7 / 4
	7 / 2 (B) = 7 / 2
	8 / 4 (A) = 8 / 4
	8 / 2 (B) = 8 / 2
	1-8 / 1 (+ 48 V) = U <sub>N</sub>
	1-8 / 3 (0 V) = 0 V

**Certificates / Approvals**



Certification

CUL, UL

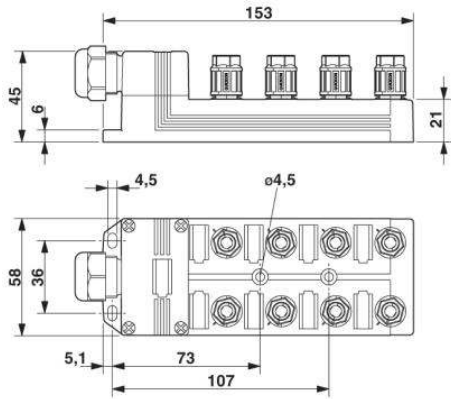
---

---

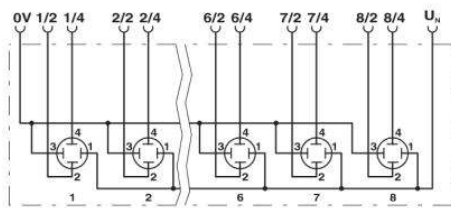
<b>Accessories</b>		
Item	Designation	Description
<b>Connector hood</b>		
1560235	SACB-C-H180 8/4 QO-0,34	Connector hood, Status indication: No 180°, Shielding: No
<b>General</b>		
1548626	QO-SET	QUICKON set for replacement purposes, consisting of splice ring, pressure nut and line seal
1539350	SACB-16X0,34/2X0,75-50 PUR	Master cable for sensor/actuator boxes, without PE conductor, unshielded, material PUR/PVC, 18-pos., 16 x 0.34 mm <sup>2</sup> and 2 x 0.75 mm <sup>2</sup> , length: 50 m
<b>Marking</b>		
0804963	SS-ZB 17,5 WH	Contact marker Zack strip, unprinted: 5-section, for snapping into equipment and components with special marker carrier, can be labeled with M-PEN, CMS system or label BMKT 17.5 x 8, lettering field: 17.5 x 8 mm, color: white
<b>Protection and sealing elements</b>		
1670235	Q-PROT 9/11	Closing cap for PG9/PG11 to close unoccupied connections
<b>Tools</b>		
1212033	SAC BIT QUICKON-W13	Nut for assembling QUICKON pressure nuts with 13 mm wrench size, for 4 mm hexagonal drive
1206450	SZK PZ1 VDE	Screwdriver, PZ crosshead, VDE insulated, size: PZ 1 x 80 mm, 2-component grip, with non-slip grip
1212020	TSD 20 SAC	Torque screwdriver, with preset torque of 2.0 Nm and 4 mm hexagonal drive for the pressure nut of the fast connection

## Diagrams/Drawings

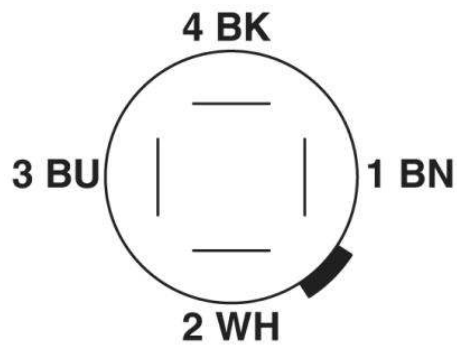
### Dimensioned drawing



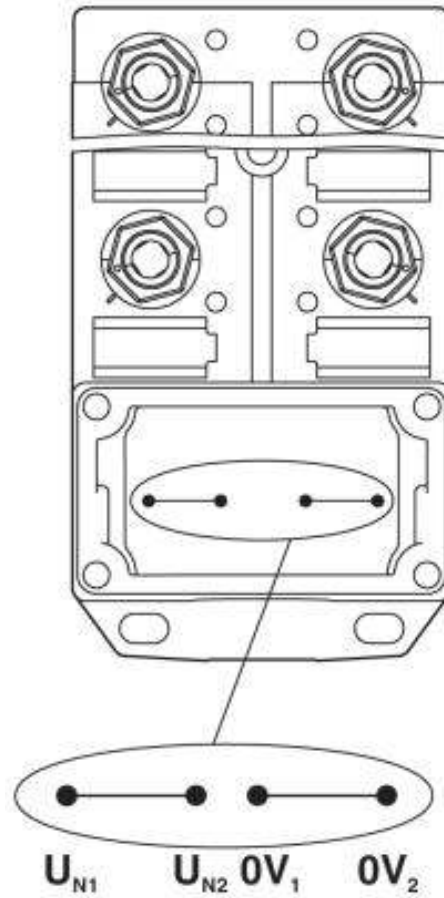
### Circuit diagram



Schematic diagram

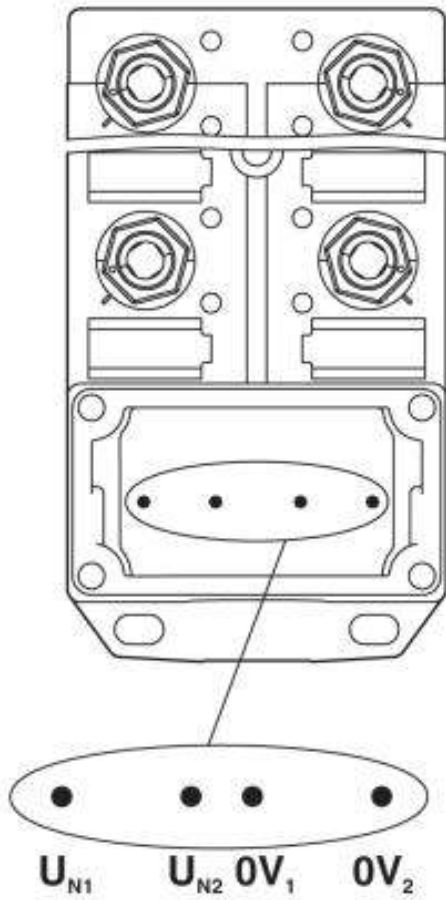


QUICKON connection, 4-pos.



Potential  $U_{N1}$  and  $U_{N2}$  bridged

Electrically isolated



**Address**

PHOENIX CONTACT Deutschland GmbH  
Flachmarktstr. 8  
32825 Blomberg, Germany  
Phone +49 5235 3 12000  
Fax +49 5235 3 41200  
<http://www.phoenixcontact.de>



© 2010 Phoenix Contact  
Technical modifications reserved;