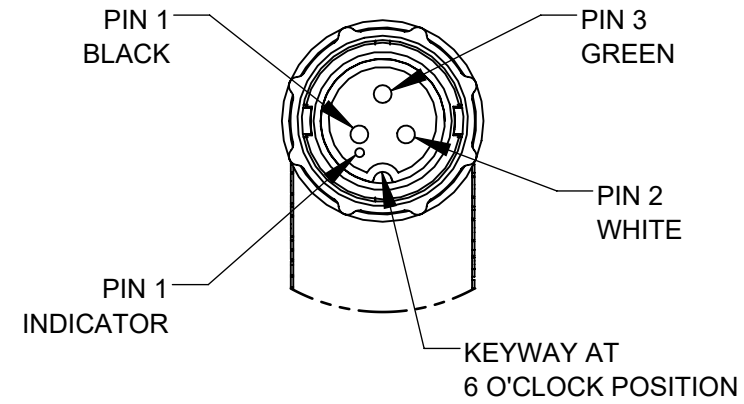


CARAEN3C2M1607990

2-PIN MALE

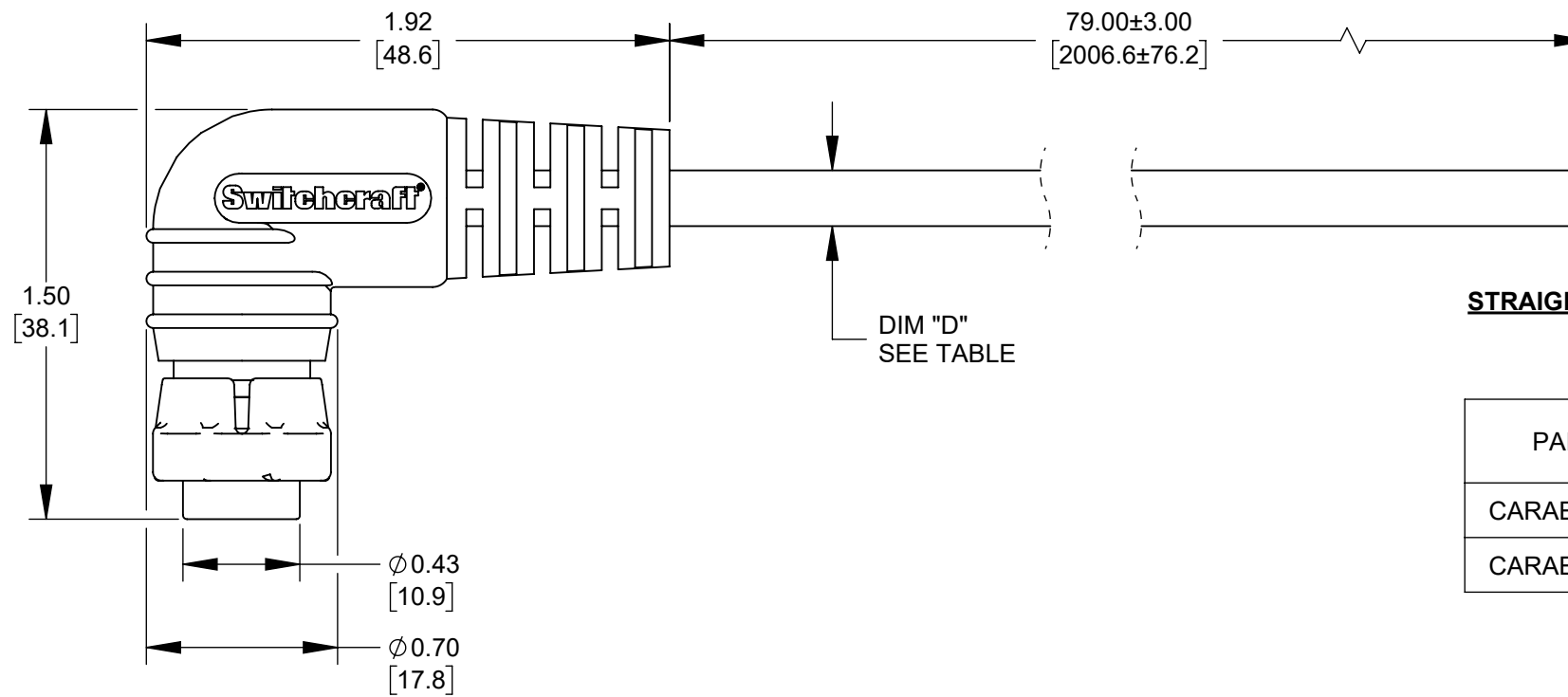
2 CONDUCTOR
16 AWG CABLE
BLACK PVC



CARAEN3C3M1607990

3-PIN MALE

3 CONDUCTOR
16 AWG CABLE
BLACK PVC



RIGHT ANGLE OVERMOLD
MALE EN3C - 16GA CONTACTS
OVERMOLD - THERMOPLASTIC, BLACK
CONNECTOR - THERMOPLASTIC, BLACK
CONTACTS - COPPER ALLOY, GOLD PLATED

STRAIGHT CUT-OFF

DIM "D"
SEE TABLE

PART NUMBER	NUMBER OF CONTACTS	DIM "D" CABLE DIAMETER
CARAEN3C2M1607990	2	Ø 0.204 [5.18] REF
CARAEN3C3M1607990	3	Ø 0.275 [6.99] REF

CUSTOMER DRAWING

NOTES:

1. THIS PRODUCT IS RoHS COMPLIANT.

REV	ECO NUMBER	DATE	BY	APVD
A	28435	10-14-21	PC	TJK
REVISIONS				

UNLESS OTHERWISE SPECIFIED

- 1. ALL DIMENSIONS IN INCHES [mm]
- TWO PLACE DECIMALS ±0.02 [0.5]
- THREE PLACE DECIMALS ±0.005 [0.13]

DO NOT SCALE DRAWING

THIS DRAWING DESCRIBES A DESIGN CONSIDERED PROPRIETARY IN NATURE, DEVELOPED AND MANUFACTURED BY SWITCHCRAFT INC. AND IS RELEASED ON A CONFIDENTIAL BASIS FOR IDENTIFICATION PURPOSES ONLY.

SIZE	WIDTH	MULT	LBS/M	TEMPER
FINISH			MATERIAL	
SPEC No.			SPEC No.	
FIRST USED ON		SCALE		
		3:2		
DATE DRAWN	BY	CHKD	APVD	
8-27-21	CC	CC	TJK	
		8-27-21	10-7-21	
NAME			PART No.	
MALE EN3C TO OVERMOLDED 16 AWG CABLE, SCO			CARAEN3C_M1607990	
				REV
				A

Switchcraft®

SHEET 1 OF 1

SolidWorks CAD File **B**