

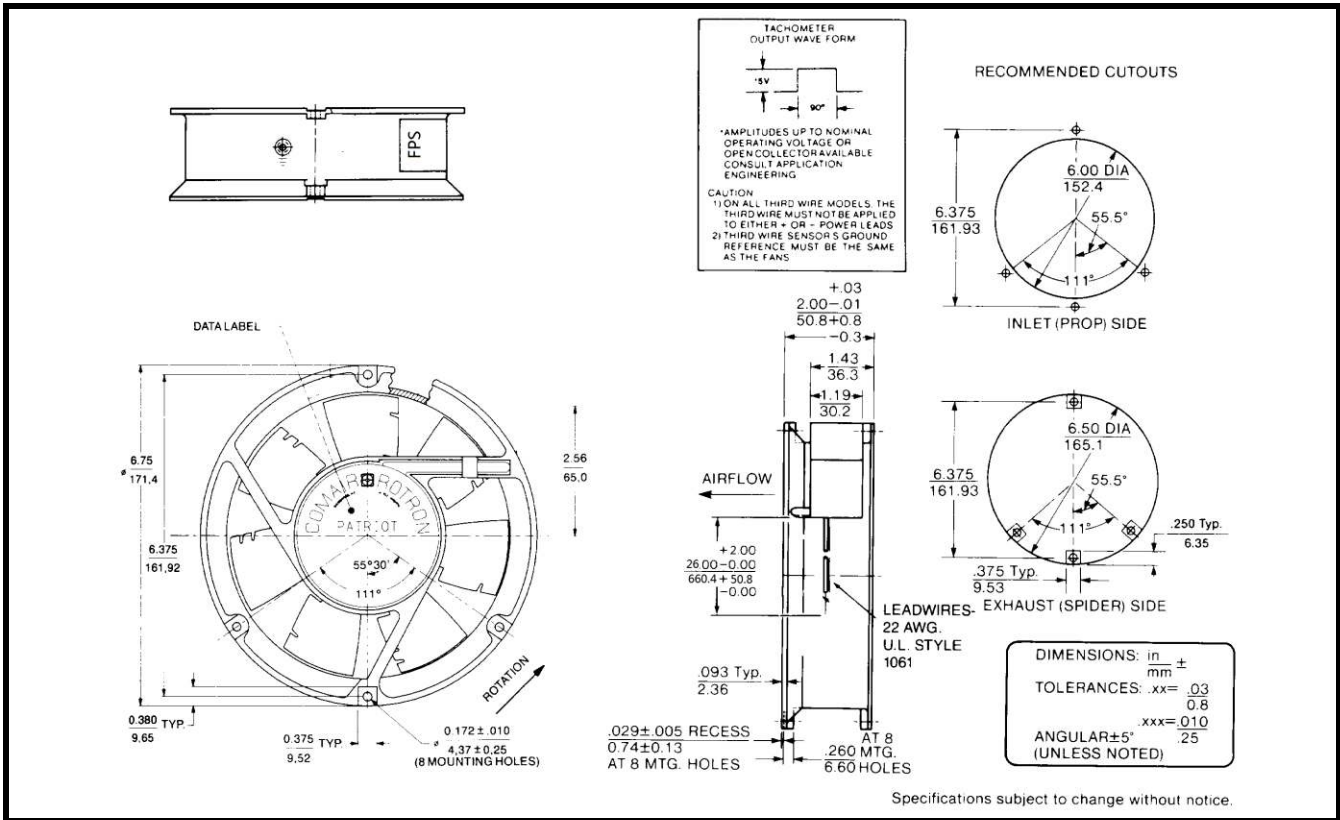
SPECIFICATIONS



Model Number: PQ48S3HBDLX
Part Number: 19031122A

August 1, 2010

Mechanical Drawing:



Motor:

Nominal Voltage = 48 vdc
 Operating Voltage Range = 24 - 56 vdc
 Nominal Running Current = 0.460 Amps
 Locked Rotor Current = 1.00 Amps
 Running Power = 24 Watts
 Average Speed = 3500 RPM
 Bearings = Ball
 Air Flow = 235 CFM
 Acoustic = 51.2 dBA

Construction:

Venturi: Single Piece, Die-Cast Aluminum, Black
 Propeller: Plastic, Black, UL 94V-0

Agency Approvals:

UL, CUL, CE

Life Expectancy:

This fan is designed for continuous duty life of 77,000 hours at 40°C

Additional Features:

Brushless DC Motor
 Polarity Protected
 Automatic Restart Capability
 Locked Rotor Protection
 Bipolar Output FPS
 Thermal Speed Control: PTC in Hub
 Operating Temperature: -10°C to +70°C
 Storage Temperature: -40°C to +85°C

Fan Performance Sensor: FPS

Power Supply: 5 vdc
 Isolated: Yes
 Delay: 10 ± 4 seconds
 Latching: Yes
 Trip Point: 1500 ± 300 RPM
 Pass Level: 2.75 Min. to 5.50 Max. Vdc
 Fail Level: 0.00 Min. to 2.25 Max. Vdc

Termination:

26" Leadwires, AWG 22, UL 1061

Red/White	= Fan Power (+)
Black/White	= Fan Return (-)
Red	= FPS Power (+)
Black	= FPS Return (-)
Blue	= FPS Output