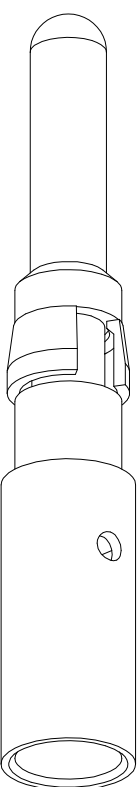
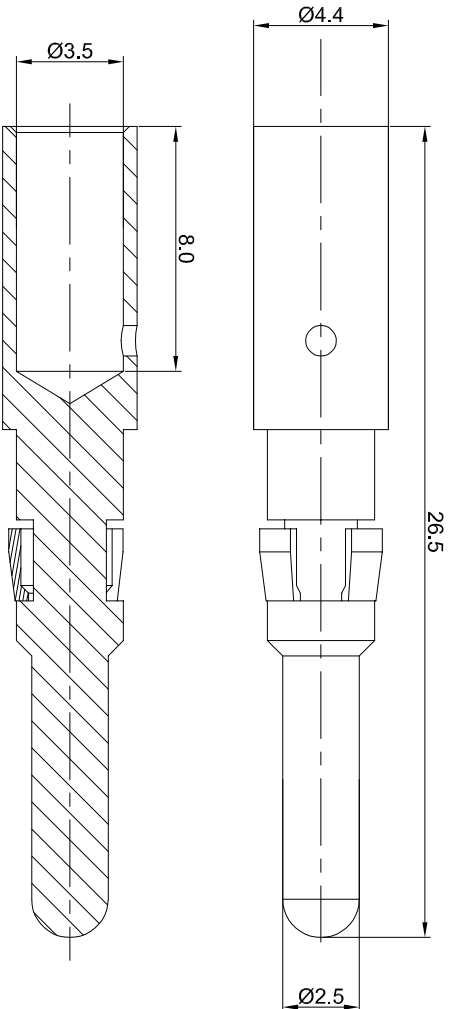


REVISIONS				
REV	ECO	DESCRIPTION	DATE	BY APPR
A1	-	FIRST RELEASE	May/27/2017	Tod TOMMY
A2	-	Modify the current rating	Jul,10,2017	White TOMMY



P/N	CONTACT PLATING(MATING AREA)
MP10B23T	TIN PLATING OVER NICKEL.
MP10B23S	SILVER PLATING OVER NICKEL.
MP10B23F	GOLD FLASH PLATING OVER NICKEL.
MP10B23G5	5µ" GOLD PLATING OVER NICKEL.
MP10B23G10	10µ" GOLD PLATING OVER NICKEL.
MP10B23G15	15µ" GOLD PLATING OVER NICKEL.
MP10B23G30	30µ" GOLD PLATING OVER NICKEL.

- NOTES : (UNLESS OTHERWISE SPECIFIED)
- MATERIAL :
 - CONTACT BODY : COPPER ALLOY.
 - POSITIONING CLIP : COPPER ALLOY.
 - SPECIFICATIONS :
 - CURRENT RATING : 35A(MAX).
 - TERMINATION TYPE : CRIMPING.
 - WIRE RANGE : 10~12 AWG.
 - SUITABLE SOCKET : MS10B23xx.
 - ALL DIMENSIONS ARE FOR REFERENCE USE ONLY.

QUANTITY	PART NUMBER	DESCRIPTION	ITEM
MATERIALS LIST			
UNLESS OTHERWISE SPECIFIED			
1) All dimensions are in millimeters.			
2) Tolerances are as follows: A:1/4			
1 PL DEC 2010 Fractional 1/16			
3 PL DEC 2010 Angles 1°			
3) Note reference = A			
DRAWN: <u>Whe</u>		DATE: <u>Jul,10,2017</u>	
CHECKED:		ENGINEER:	
APPROVAL:		CUSTOMER:	
MATERIAL SPECIFICATIONS:		THIS DRAWING IS SUPPLEMENTARY TO THE DRAWING SPECIFICATIONS AND PERFORMANCE DATA OF THE PART. THE MANUFACTURER SHALL BE RESPONSIBLE FOR THE REPRODUCTION AND LABELING. ALL MANUFACTURING VARIATIONS.	
PROCESS SPECIFICATIONS:		ECCO-MATE PIN CONTACT	
NEXT ASST:		MACHINE, MALE CONTACT, 2.5mm	
SCALE: NONE		SIZE: B	
		TYPE: C-	
		DWG NO: MP10B23xx	
		REVISION: A2	
		SHEET: 1 OF 1	

FILE: ECO-MATE PIN CONTACT, MACHINE, MALE CONTACT, 2.5mm DWG NO: MP10B23xx REV: A2 SH: 1 OF: 1