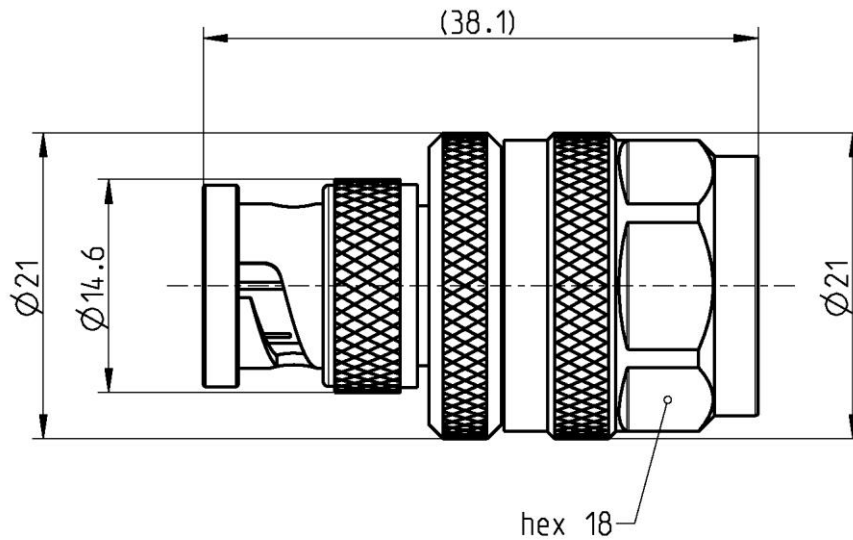


Technical Data Sheet

Rosenberger

BNC 50 Ω Adaptor
BNC 50 Ω Plug –
N 50 Ω Plug

51S153-S00N5



All dimensions are in mm; tolerances according to ISO 2768 m-H

Interface

According to BNC side: DIN EN 61169-8
N side: IEC 61169-16, MIL-PRF-39012, CECC 22210

Documents

N/A

Material and plating

Connector parts

Center contact BNC and N side
Outer contact BNC and N side
Body
Dielectric
Gasket

Material

Brass
Brass
Brass
PTFE
Silicone

Plating

AuroDur®, gold plated
Flash white bronze over silver(e.g. Optargen®)
Flash white bronze over silver(e.g. Optargen®)

Dieses Dokument ist urheberrechtlich geschützt • This document is protected by copyright • Rosenberger Hochfrequenztechnik GmbH & Co. KG

RFB00035/12.20/6.4

Technical Data Sheet

Rosenberger

BNC 50 Ω Adaptor
BNC 50 Ω Plug –
N 50 Ω Plug

51S153-S00N5

Electrical data

| | | |
|--|---|-------------------|
| Impedance | 50 Ω | |
| Frequency | DC to 10 GHz | |
| Return loss | ≥ 35 dB, DC to 2.5 GHz ≥ 25 dB, 2.5 to 4 GHz | |
| Insertion loss | ≤ 0.05 x √f [GHz] dB | |
| Insulation resistance | ≥ 5 x 10 ³ MΩ | |
| Center contact resistance | ≤ 1.5 mΩ, BNC side; | ≤ 1 mΩ, N side |
| Outer contact resistance | ≤ 1 mΩ, BNC side; | ≤ 0.25 mΩ, N side |
| Test voltage | 1500 V rms | |
| Working voltage | 400 V rms | |
| Power handling (at 20 °C, sea level, VSWR 1.0) | ≤ 80 W @ 2 GHz | |

Mechanical data

| | | |
|-----------------------------------|----------------------|--------------------|
| Mating cycles | BNC side min. 500 | N side min. 500 |
| Coupling nut retention | N/A | ≥ 450 N |
| Center contact captivation: axial | ≥ 28 N | |
| Coupling test torque | N/A | max. 1.7 Nm |
| Recommended torque | N/A | 0.7 Nm to 1.1 Nm |

Environmental data

| | |
|---------------------|---------------------------------|
| Temperature range | -55°C to +155°C |
| Thermal shock | MIL-STD-202, Meth. 107, Cond. B |
| Corrosion | MIL-STD-202, Meth. 101, Cond. B |
| Vibration | MIL-STD-202, Meth. 204, Cond. B |
| Shock | MIL-STD-202, Meth. 213, Cond. G |
| Moisture resistance | MIL-STD-202, Meth. 106 |
| RoHS | compliant |

Tooling

N/A

Suitable cables

N/A

Weight

Weight 44.9 g/pce

While the information has been carefully compiled to the best of our knowledge, nothing is intended as representation or warranty on our part and no statement herein shall be construed as recommendation to infringe existing patents. In the effort to improve our products, we reserve the right to make changes judged to be necessary.

For the installation of the electrotechnical equipment, particular electrotechnical expertise is required.



| Draft | Date | Approved | Date | Rev. | Engineering change number | Name | Date |
|--|----------|-------------|----------|------|---------------------------|--|---------------|
| Chr. Entsfellner | 17.07.08 | Chr. Janßen | 21.12.20 | f00 | 20-1927 | S. Huber-Siegl | 21.12.20 |
| Rosenberger Hochfrequenztechnik GmbH & Co. KG P.O.Box 1260 D-84526 Tittmoning Germany www.rosenberger.com | | | | | | Tel. : +49 8684 18-0 Email : info@rosenberger.com | |
| | | | | | | | Page 2 / 2 |