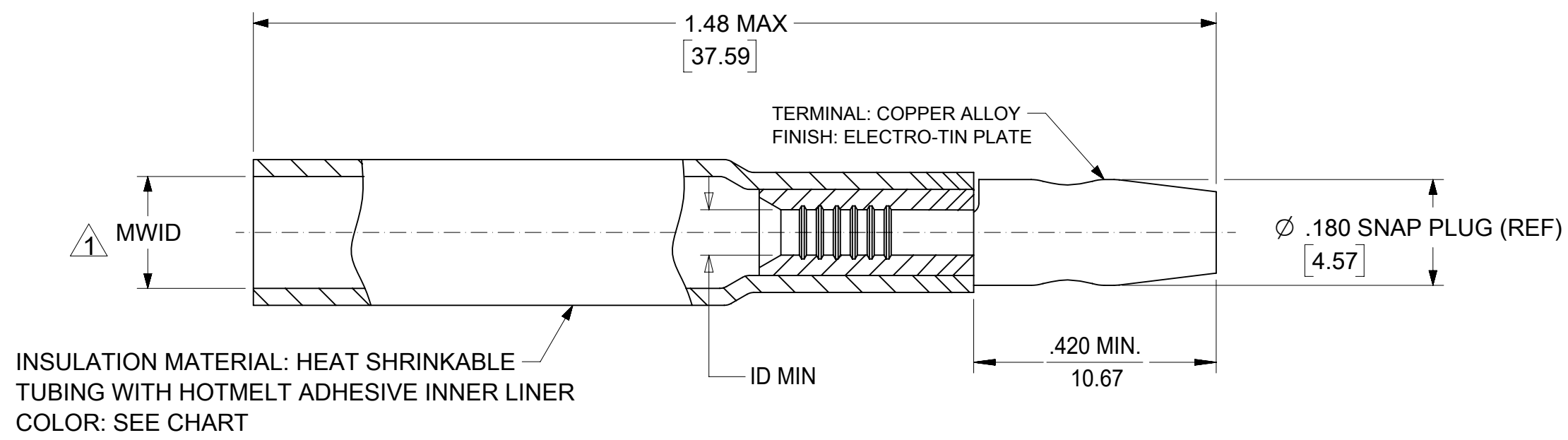
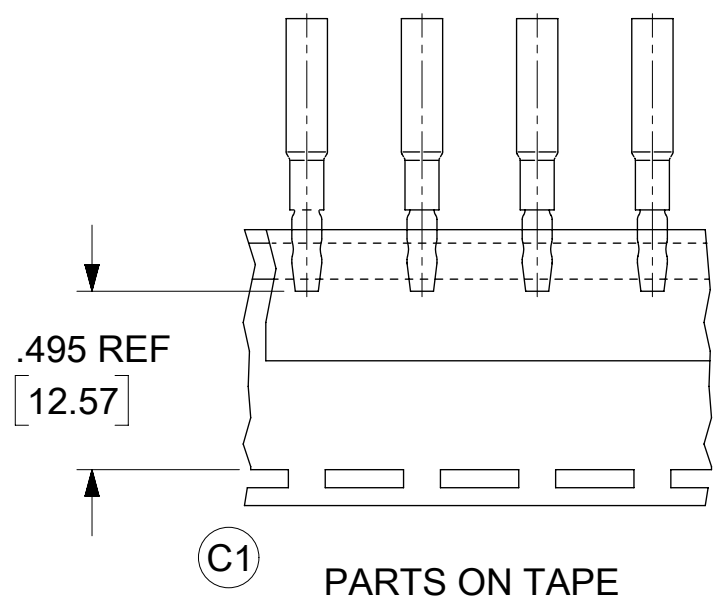


MAT'L NO.	ENG NO.	MAT'L NO. (TAPE)	ENG NO. (TAPE)	WIRE AWG	MWID	ID MIN	INSULATION COLOR
191640009	SA-259	----	----	22 - 18	.235 (5.97)	.054 (1.35)	RED
191640039	SA-279	191640314	SB-279T	16 - 14	.230 (5.84)	.080 (2.03)	BLUE



NOTE(S):
 1 MWID: MAXIMUM WIRE INSULATION DIAMETER
 2. PART IS RoHS COMPLIANT.

FUNCTIONAL SYMBOLS FA = 0 FE = 0 FP = 0	THIS DRAWING CONTAINS INFORMATION THAT IS PROPRIETARY TO MOLEX ELECTRONIC TECHNOLOGIES, LLC AND SHOULD NOT BE USED WITHOUT WRITTEN PERMISSION		CURRENT REV DESC: ADD TAPE DETAIL & PN: 191640314 (SB-279T)		molex	
	DIMENSION UNITS	SCALE				
	INCH/MM	1:1	EC NO: 686478		.180/4.57 SNAP PLUG	
	GENERAL TOLERANCES (UNLESS SPECIFIED)		DRWN: DMYRICK 2021/11/23		NIAC 22-18 16-14 AWG	
DIVISIONAL SYMBOLS	4 PLACES	±	MM	±	INCH	2021/11/23
	3 PLACES	±	0.25	±	0.01	2021/11/23
	2 PLACES	±	0.25	±	0.02	2021/11/23
	1 PLACE	±	0.5	±		
ANGULAR TOL		± 1.0°		INITIAL REVISION:		PRODUCT CUSTOMER DRAWING
DRAFT WHERE APPLICABLE MUST REMAIN WITHIN DIMENSIONS		THIRD ANGLE PROJECTION		DRWN: BENDERLE 2004/09/10		DOCUMENT NUMBER
				APPR: RDEROSS 2004/09/13		SD-19164-068
				DRAWING		DOC TYPE
				B-SIZE		PSD
				SERIES		DOC PART
				19164		001
				MATERIAL NUMBER		REVISION
				SEE CHART		C1
				CUSTOMER		SHEET NUMBER
				GENERAL MARKET		1 OF 1