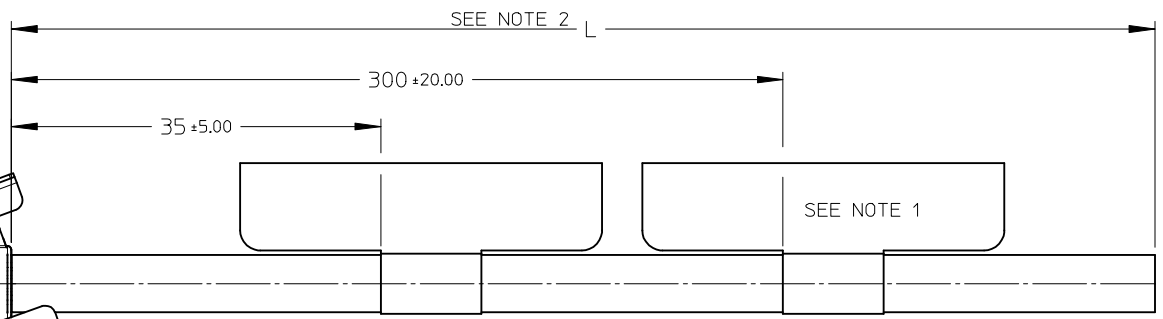
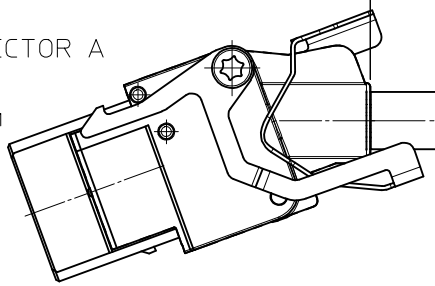


10 9 8 7 6 5 4 3 2 1

CONNECTOR A

PIN A1



SCALE 2 : 1 (LENGTH OF CABLE NOT TO SCALE)

CONNECTOR A
SCALE 3 : 1

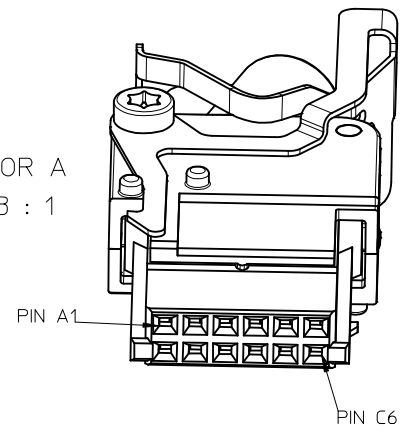
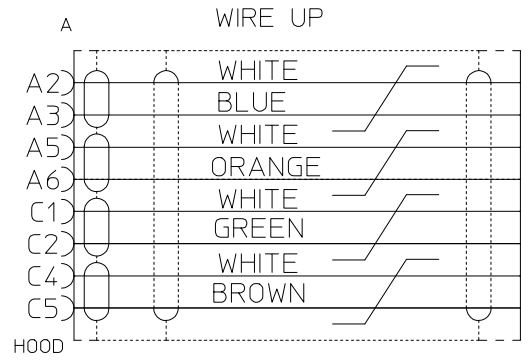


CHART		
CABLE ASSEMBLY		
CUSTOMER MATERIAL NO.:		UNIT
MOLEX REVISION NUMBER (Y)	R1	
MOLEX MATERIAL NO.:	85372-	0100
LENGTH CABLE ASSEMBLY (L)		M
		INCH

	LENGTH	TOLERANCE
FINISHED CABLE	L < 0.5 M	+5 MM
	0.5 M < L < 1.0 M	+10 MM
	L > 1 M	+1% L

NOTES:
 1- LABEL MARKING: CUSTOMER NUMBER
 85372-0100 R1
 YYYY / WW MG
 LOT #

2- L = STRETCHED LENGTH OF CABLE BETWEEN HOOD ENTRY AND OPEN END



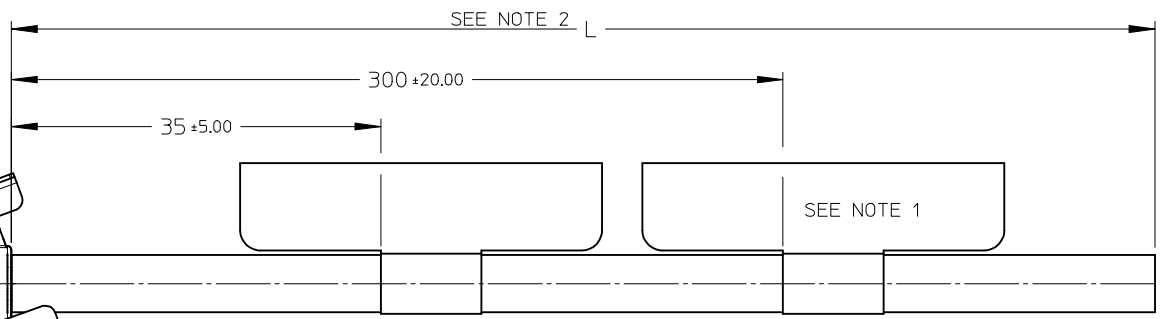
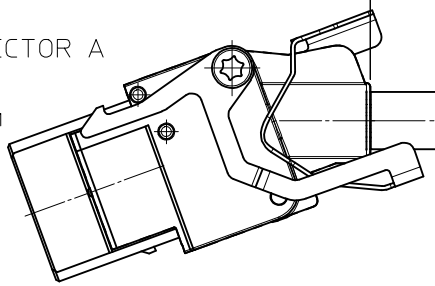
EC NO: MG2005-0101 DRW: EROEZDE 2004/09/30 CHKD: RSILLER 2004/10/01 APPR: TREMHOF 2004/10/04	QUALITY SYMBOLS ▽ - 0 ▽ - 0	GENERAL TOLERANCES (UNLESS SPECIFIED)		SCALE 2:1	DESIGN UNITS METRIC	THIRD ANGLE PROJECTION	REVISE ON CAD ONLY
			mm	INCH	DIMENSION STYLE MM ONLY		TITLE EMILY SIGNAL CABLE ASSY. SIG.- OPEN END BASIC MOLEX INCORPORATED
		4 PLACES	± ---	± ---	DRAWN BY EROEZDE DATE 2005/09/16		
		3 PLACES	± ---	± ---	CHECKED BY RSILLER DATE 2005/09/16		
2 PLACES	± 0.05	± ---	APPROVED BY TREMHOF DATE 2005/09/16				
1 PLACE	± 0.10	± ---	ANGULAR ± 1/2°		MATERIAL NO. SEE CHART DOCUMENT NO. SD-85372-100 SHEET NO. 1 OF 1		
DRAFT WHERE APPLICABLE MUST REMAIN WITHIN DIMENSIONS			THIS DRAWING CONTAINS INFORMATION THAT IS PROPRIETARY TO MOLEX INCORPORATED AND SHOULD NOT BE USED WITHOUT WRITTEN PERMISSION				

9 8 7 6 5 4 3 2 1

10 9 8 7 6 5 4 3 2 1

CONNECTOR A

PIN A1



SCALE 2 : 1 (LENGTH OF CABLE NOT TO SCALE)

CONNECTOR A
SCALE 3 : 1

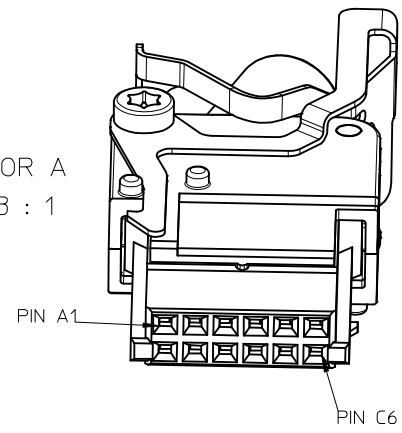
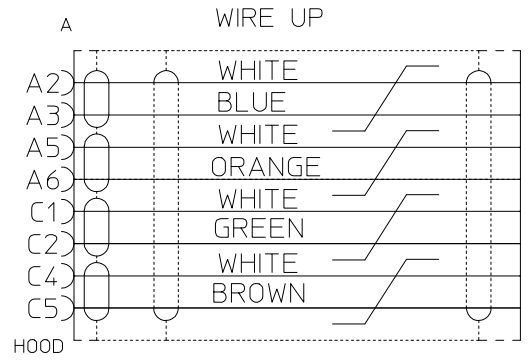


CHART		
CABLE ASSEMBLY		
CUSTOMER MATERIAL NO.:		UNIT
MOLEX REVISION NUMBER (Y)	R1	
MOLEX MATERIAL NO.:	85372-	0100
LENGTH CABLE ASSEMBLY (L)		M
		INCH

	LENGTH	TOLERANCE
FINISHED CABLE	L < 0.5 M	+5 MM
	0.5 M < L < 1.0 M	+10 MM
	L > 1 M	+1% L

NOTES:
 1- LABEL MARKING: CUSTOMER NUMBER
 85372-0100 R1
 YYYY / WW MG
 LOT #

2- L = STRETCHED LENGTH OF CABLE BETWEEN HOOD ENTRY AND OPEN END



EC NO: MG2005-0101 DRW: EROEZDE 2004/09/30 CHKD: RSILLER 2004/10/01 APPR: TREMHOF 2004/10/04	QUALITY SYMBOLS ▽ - 0 ▽ - 0	GENERAL TOLERANCES (UNLESS SPECIFIED)		SCALE 2:1	DESIGN UNITS METRIC	THIRD ANGLE PROJECTION	REVISE ON CAD ONLY
			DIMENSION STYLE MM ONLY	TITLE EMILY SIGNAL CABLE ASSY. SIG.- OPEN END BASIC			
		4 PLACES ± --- ± --- 3 PLACES ± --- ± --- 2 PLACES ± 0.05 ± --- 1 PLACE ± 0.10 ± ---	DRAWN BY EROEZDE DATE 2005/09/16	MOLEX INCORPORATED			
		ANGULAR ± 1/2°	CHECKED BY RSILLER DATE 2005/09/16	MATERIAL NO. SEE CHART	DOCUMENT NO. SD-85372-100	SHEET NO. 1 OF 1	
1	REV	DRAFT WHERE APPLICABLE MUST REMAIN WITHIN DIMENSIONS		THIS DRAWING CONTAINS INFORMATION THAT IS PROPRIETARY TO MOLEX INCORPORATED AND SHOULD NOT BE USED WITHOUT WRITTEN PERMISSION			

9 8 7 6 5 4 3 2 1