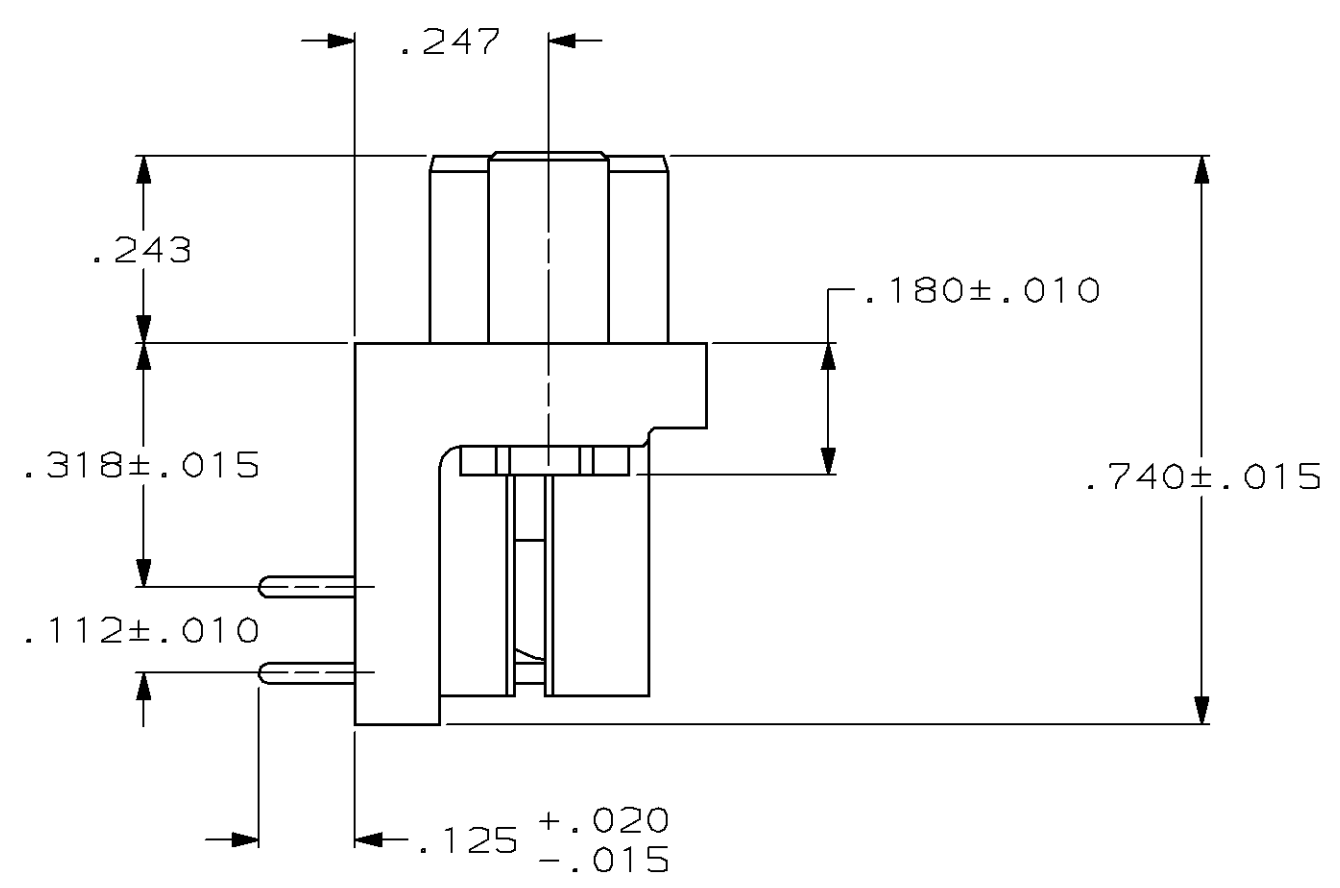
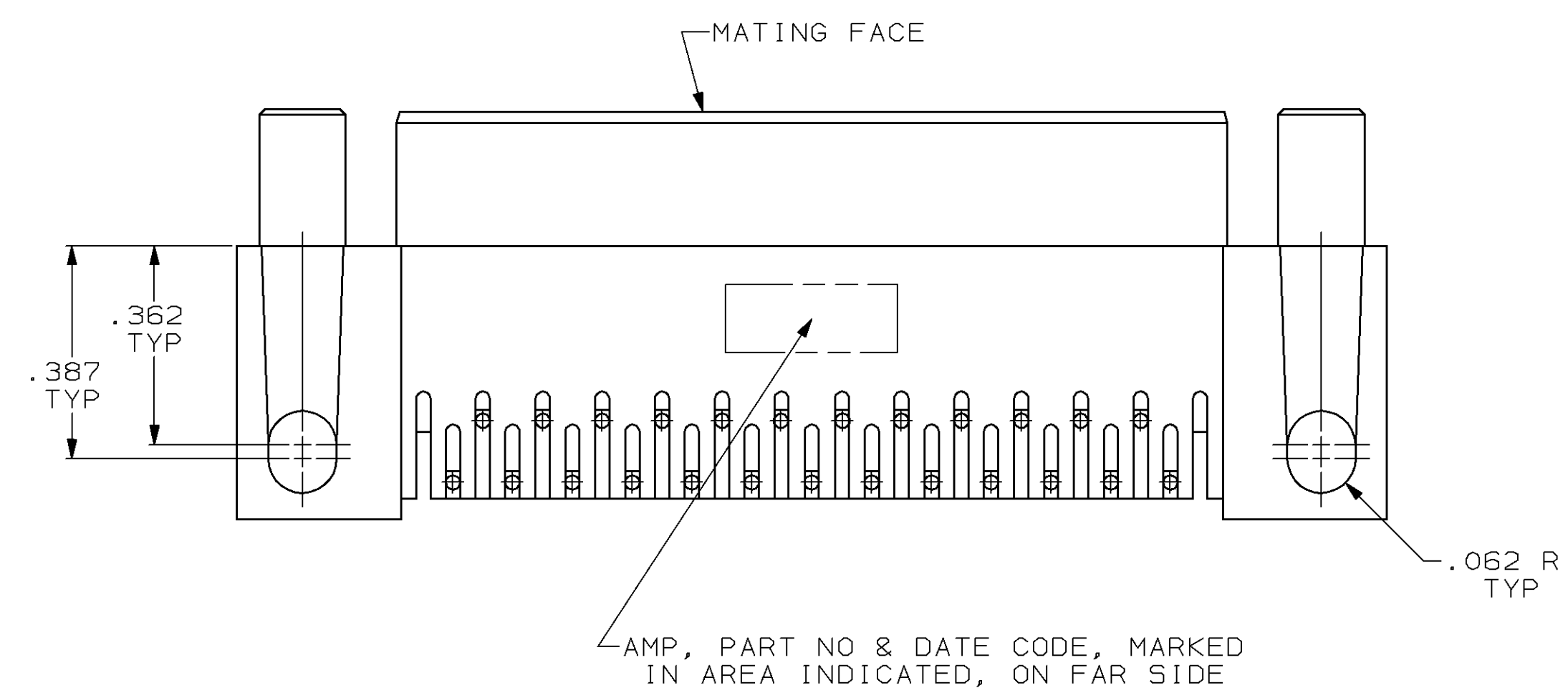
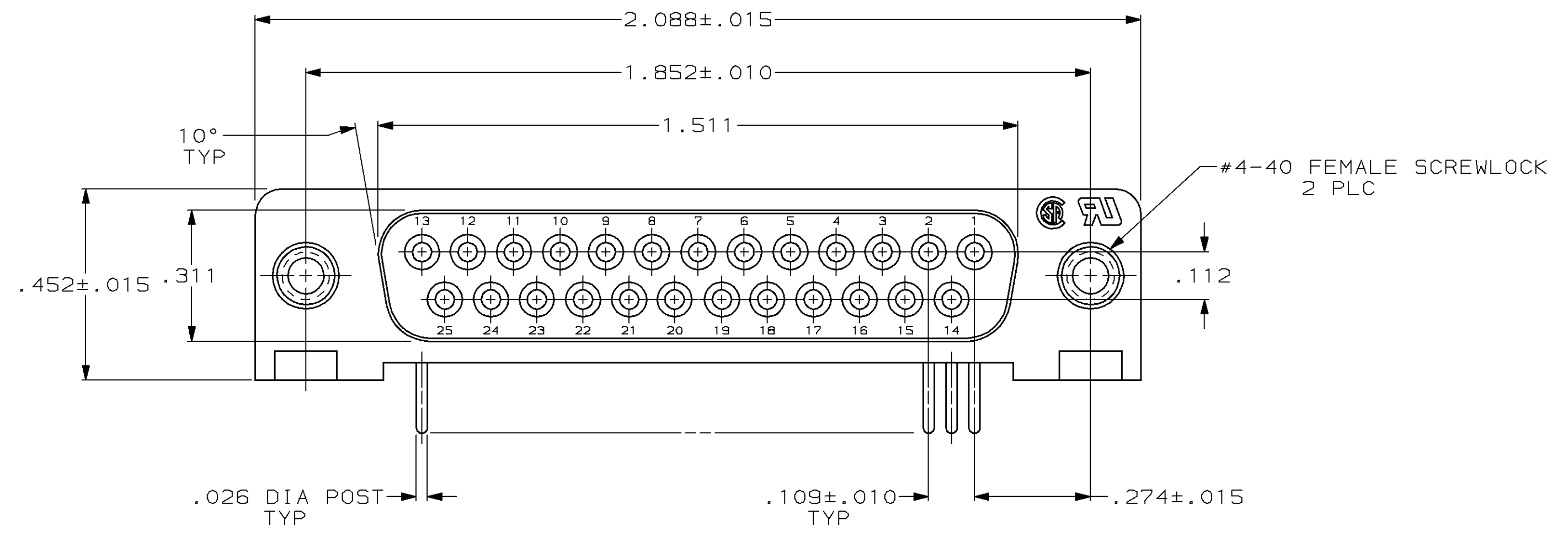
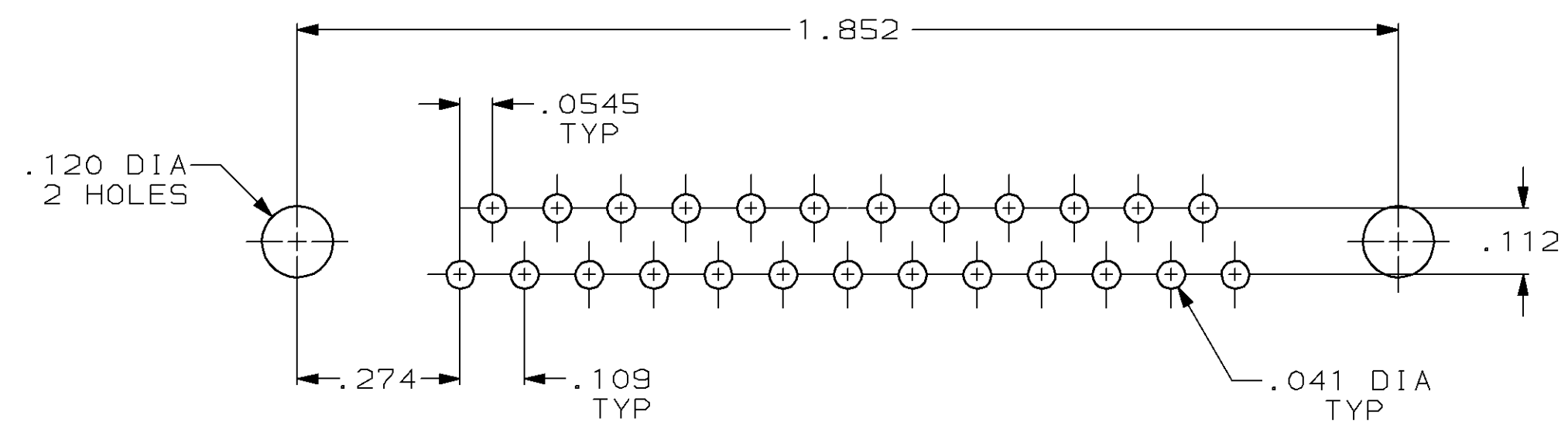


DRAWING MADE IN THIRD ANGLE PROJECTION  
 THIS DRAWING IS UNPUBLISHED. RELEASED FOR PUBLICATION  
 © COPYRIGHT 19 BY AMP INCORPORATED, HARRISBURG, PA. ALL INTERNATIONAL RIGHTS RESERVED. AMP PRODUCTS MAY BE COVERED BY U.S. AND FOREIGN PATENTS AND/OR PATENTS PENDING.

| LOC |    | DIST |  | P |  | ZONE |  | LTR |  | REVISIONS |                             | DATE      | APPD |
|-----|----|------|--|---|--|------|--|-----|--|-----------|-----------------------------|-----------|------|
| BD  | 77 |      |  |   |  |      |  |     |  | D         | REV PER EC 0020-983-95      | 15 DEC 95 | RT   |
|     |    |      |  |   |  |      |  |     |  | E         | SUPSD -1 PER EC 0020-570-96 | 28 FEB 97 | RT   |



- ① FLAME RETARDANT, 94V-0 RATED, GLASS FILLED NYLON OR POLYESTER, COLOR: BLACK.
- ② PHOS. BRONZE PER QQ-B-750.
- ③ REFER TO APPLICATION SPEC FOR RECOMMENDED P.C. BOARD MOUNTING DIMENSIONS FOR AUTOMATIC INSERTION.
- ④ GOLD PLATING PER MIL-G-45204, TIN PLATING PER MIL-T-10727, NICKEL PLATING PER QQ-N-290.
- ⑤ PLATED WITH GOLD FLASH FOR LENGTH OF .055 MIN FROM MATING END, WITH POINT OF MEASUREMENT .035 FROM MATING END OF CONTACT, .000100-.000200 TIN OR TIN-LEAD ON SOLDER END, ALL OVER .000050 NICKEL ON ENTIRE CONTACT.
- ⑥ PLATED WITH .000030 GOLD FOR LENGTH OF .055 MIN FROM MATING END, WITH POINT OF MEASUREMENT .035 FROM MATING END OF CONTACT, .000100-.000200 TIN OR TIN-LEAD ON SOLDER END, ALL OVER .000050 NICKEL ON ENTIRE CONTACT.



P.C. BOARD MOUNTING DIMENSIONS ③

|                   |        |             |
|-------------------|--------|-------------|
| SUPSD BY 745397-2 | ⑥      | 745397 -2   |
|                   | ⑤      | 745397 -1   |
|                   | FINISH | PART NUMBER |

|                                                                     |      |                            |                                                                                                                        |
|---------------------------------------------------------------------|------|----------------------------|------------------------------------------------------------------------------------------------------------------------|
| UNLESS OTHERWISE SPECIFIED DIMENSIONS ARE IN INCHES TOLERANCES ON : |      | DR 5-5-87 S.WELDON         | <b>AMP</b> AMP INCORPORATED<br>Harrisburg, Pa. 17105                                                                   |
| 2 PL DEC ± .005                                                     |      | CHK 5-5-87 C.RICHARD       |                                                                                                                        |
| 3 PL DEC ± .005                                                     |      | APPD 5-5-87 B.TAYLOR       |                                                                                                                        |
| ANGLES ± 2°                                                         |      | APPD 5-5-87 J.ASSINI       | NAME RECEPTACLE ASSY, SIZE 3, 25 POSN, RIGHT ANGLE, .318 SERIES, .026 DIA POSTS, W/ FEMALE SCREWLOCKS AMPLIMITE® HD-20 |
| MATERIAL                                                            | ①    | PRODUCT SPEC 108-40005     | SIZE <b>D</b> FSCM NO 00779 DRAWING NO 745397                                                                          |
| MOLDED PARTS:                                                       | ②    | APPLICATION SPEC 114-40015 | SCALE 4:1 SHEET 1 of 1                                                                                                 |
| CONTACTS:                                                           | ③    | WEIGHT -                   |                                                                                                                        |
| SCREWLOCKS:                                                         | ZINC |                            |                                                                                                                        |
| FINISH ④                                                            |      |                            |                                                                                                                        |
| CONTACTS: SEE TABLE                                                 |      |                            |                                                                                                                        |
| SCREWLOCKS: CLEAR CHROMATE                                          |      |                            |                                                                                                                        |