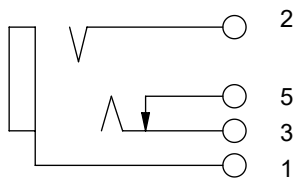
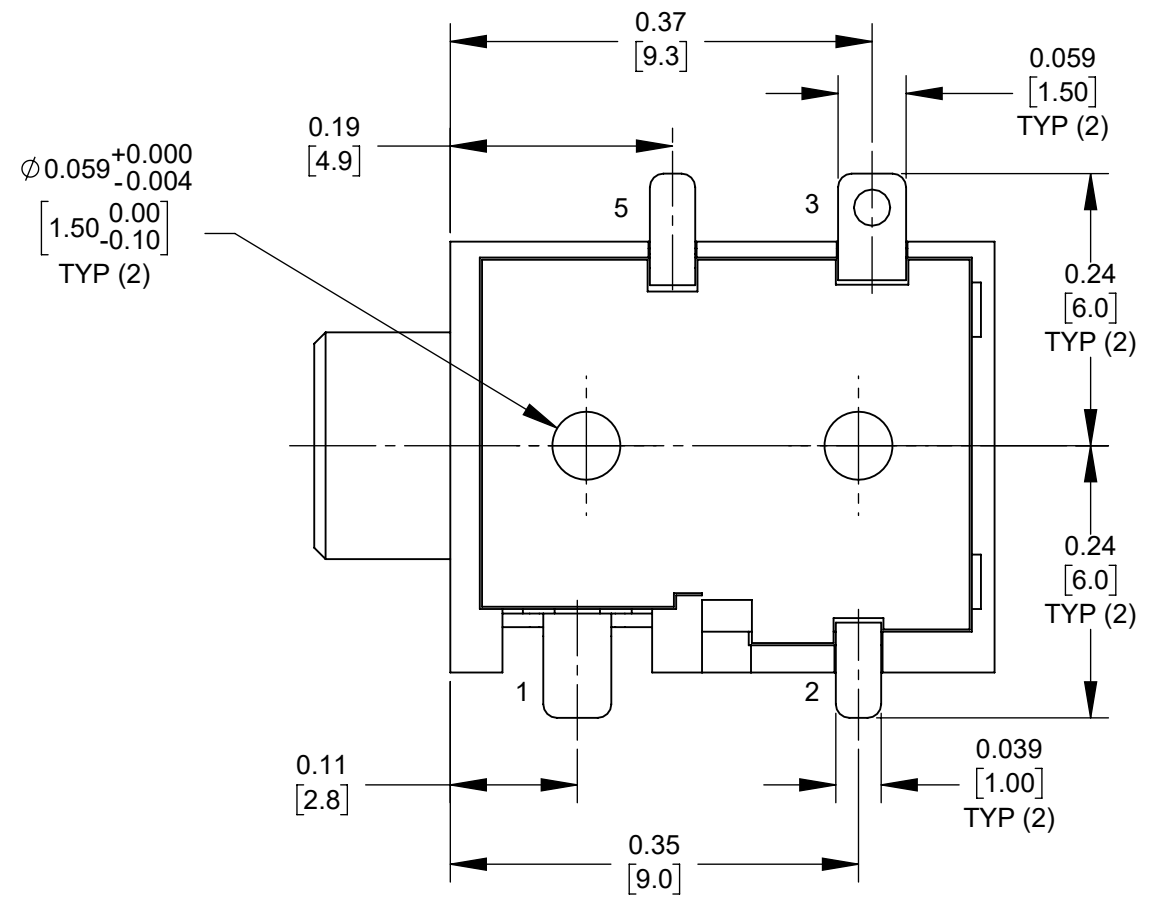
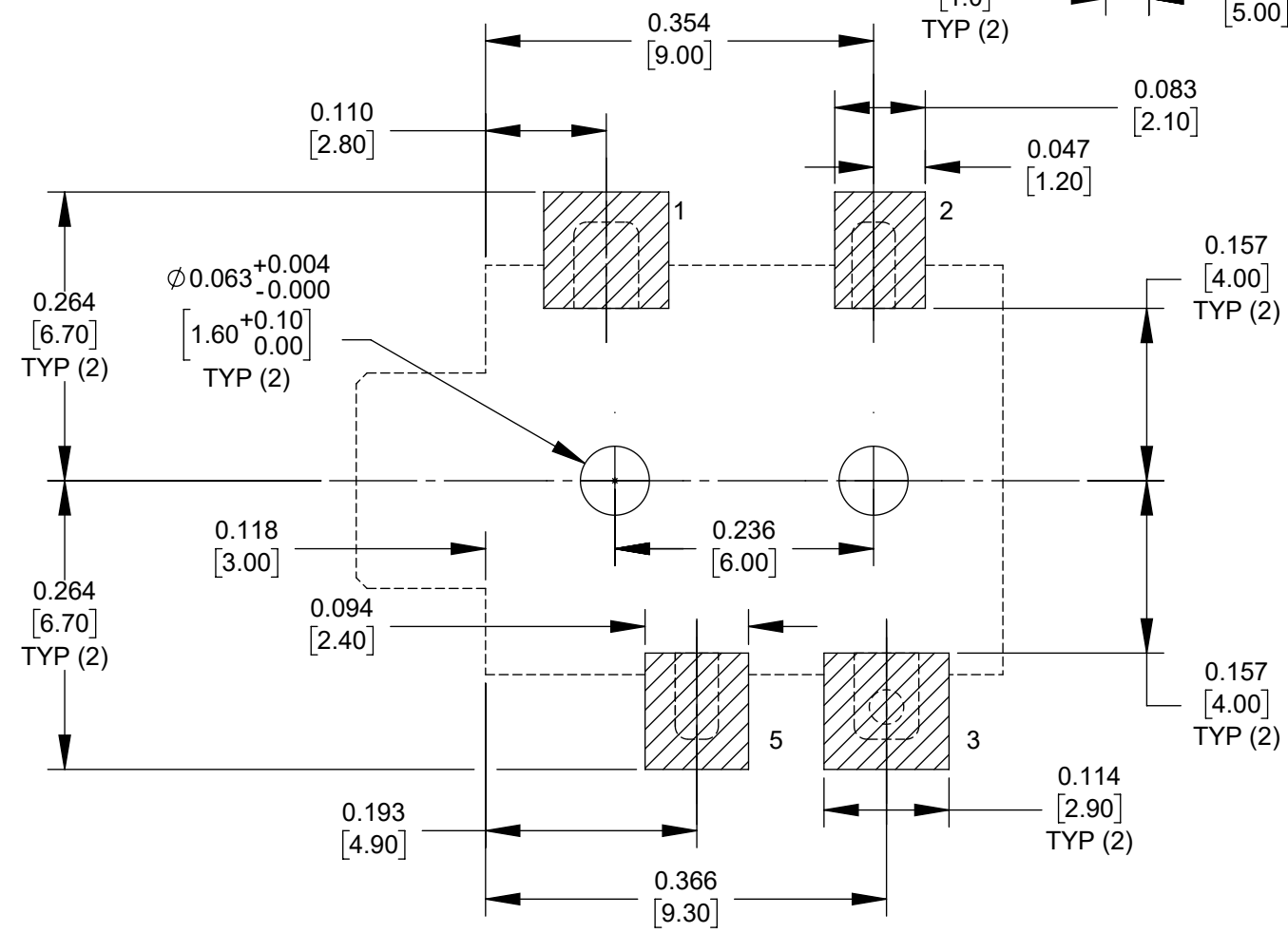
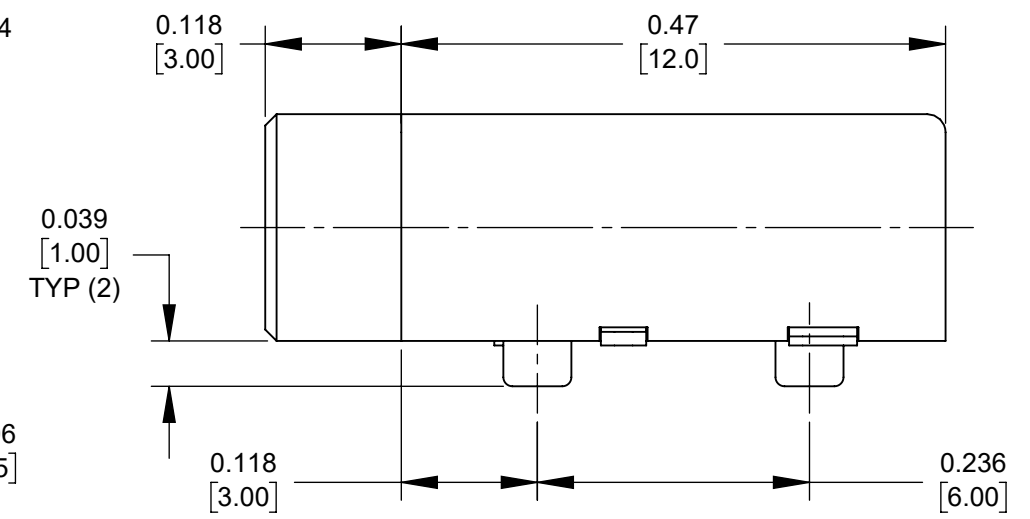
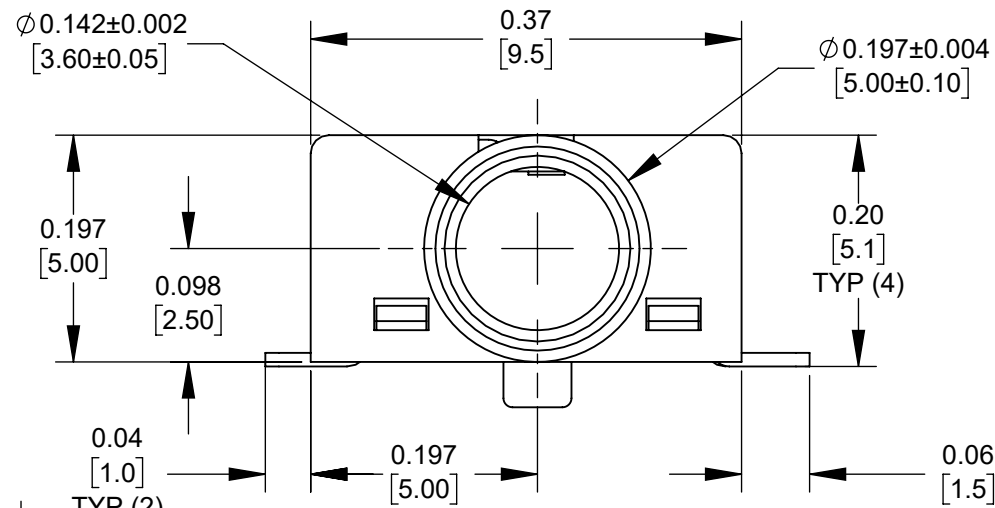


NOTES:

1. MATERIALS:
HOUSING - THERMOPLASTIC, BLACK
TERMINALS - COPPER ALLOY, GOLD PLATED
2. SUPPLIED ON TAPE AND REEL, SEE SHEET 2.
3. THIS PRODUCT IS RoHS COMPLIANT.



SCHEMATIC

**PCB LAYOUT
COMPONENT SIDE**

CUSTOMER DRAWING

| REV | ECO NUMBER | DATE | BY | APVD |
|-----------|------------|----------|----|------|
| A | 28463 | 01/31/22 | PC | TJK |
| REVISIONS | | | | |

UNLESS OTHERWISE SPECIFIED

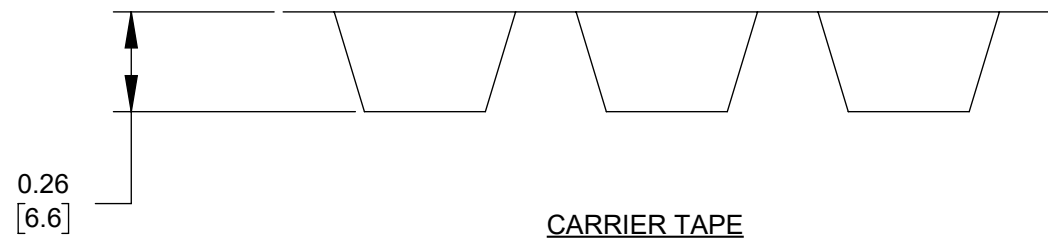
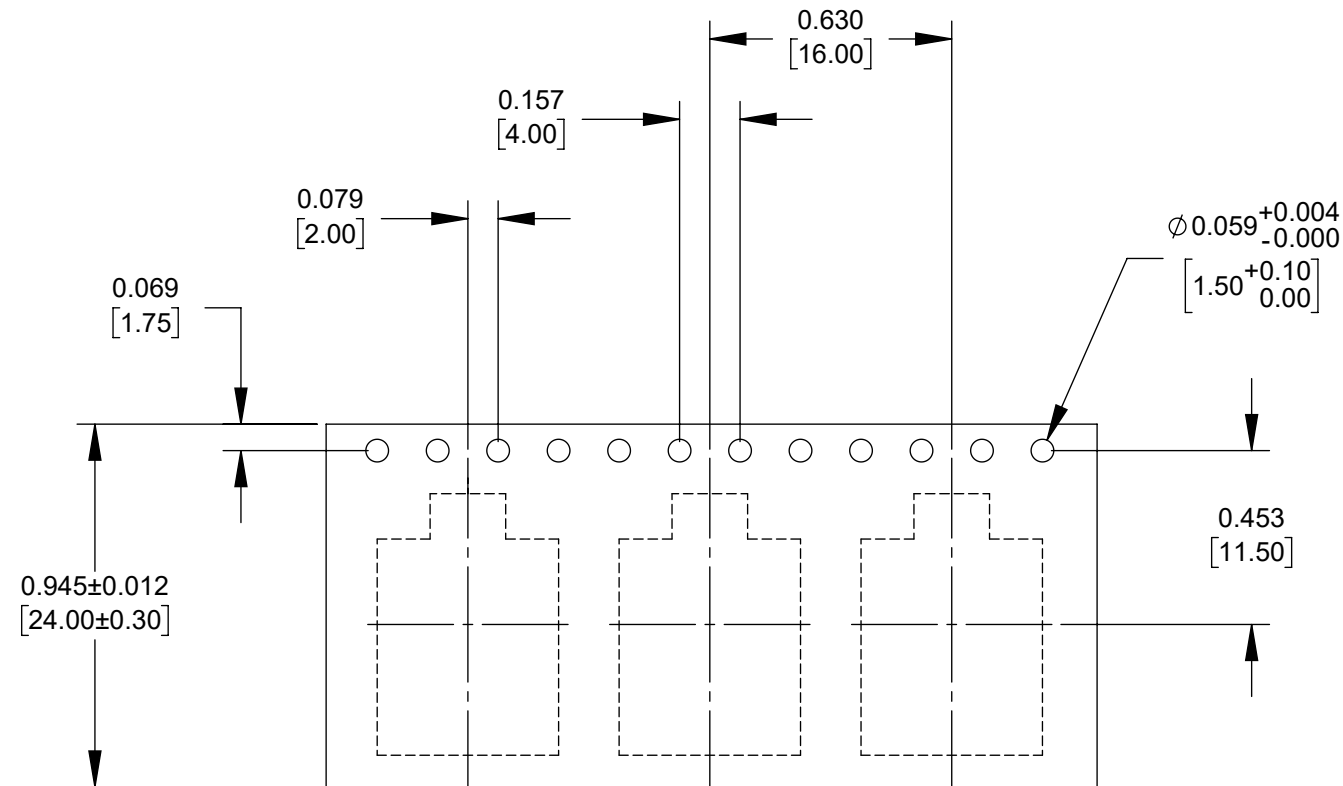
1. ALL DIMENSIONS IN INCHES [mm]
- TWO PLACE DECIMALS ±0.02 [0.5]
- THREE PLACE DECIMALS ±0.005 [0.13]

DO NOT SCALE DRAWING

| | | | | | | | | | |
|--|-------|------|---------|---------------------------------------|-------------------|--|-----------------|--|-----|
| THIS DRAWING DESCRIBES A DESIGN CONSIDERED PROPRIETARY IN NATURE, DEVELOPED AND MANUFACTURED BY SWITCHCRAFT INC. AND IS RELEASED ON A CONFIDENTIAL BASIS FOR IDENTIFICATION PURPOSES ONLY. | | | | | | | | | |
| SIZE | WIDTH | MULT | LBS/M | TEMPER | | | | | |
| FINISH SPEC No. | | | | | MATERIAL SPEC No. | | | | |
| FIRST USED ON | | | | | SCALE 6:1 | | | | |
| DATE DRAWN | BY | CHKD | APVD | | | | | | |
| 1/26/22 | PC | TJK | TJK | | | | | | |
| | | | 1/26/22 | 1/26/22 | | | | | |
| NAME | | | | 3.5 MM PHONE JACK SURFACE MOUNT, RoHS | | | PART No. | | REV |
| | | | | | | | 35RASMT3BHWNTRX | | A |

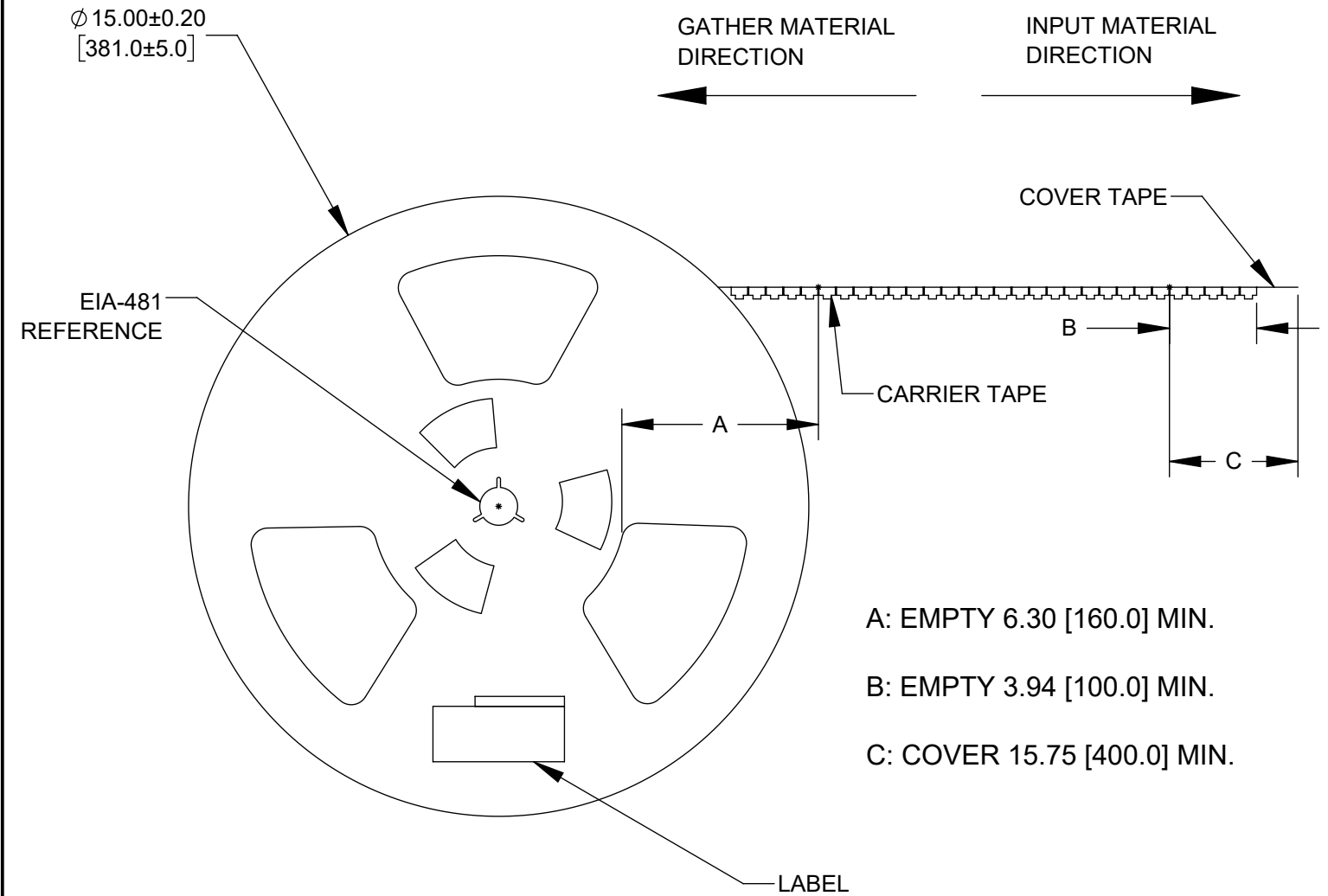
A: CARRIER SIZE

- 1. DETAIL SIZE REFERENCES: EIA-481
- 2. SPECIFICATIONS: 24 MM X 16 MM



B: REEL SIZE

- 1. QUANTITY: 800 PCS/REEL
- 2. MATERIAL: THERMOPLASTIC



- A: EMPTY 6.30 [160.0] MIN.
- B: EMPTY 3.94 [100.0] MIN.
- C: COVER 15.75 [400.0] MIN.

CUSTOMER DRAWING

| | | |
|-----------------------|---------------------------------|----------|
| SCALE 2:1 | Switchcraft [®] | |
| DATE DRAWN 1/26/22 | | |
| DRAWN BY PC | PART No. 35RASMT3BHWNTRX | REV A |