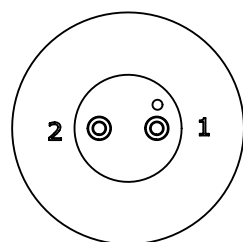
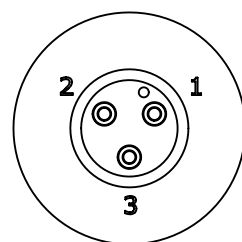


ASSY P/N	CONTACT QTY.	"X" DIM.
7280-2PG-300	2 #20	0.653 [16.6mm]
7280-3PG-300	3 #20	0.670 [17.0mm]
7280-4PG-300	4 #20	0.670 [17.0mm]
7280-5PG-300	5 #20	0.670 [17.0mm]
7280-6PG-300	6 #20	0.670 [17.0mm]
7280-7PG-300	7 #20	0.673 [17.1mm]
7280-8PG-300	8 #20	0.673 [17.1mm]

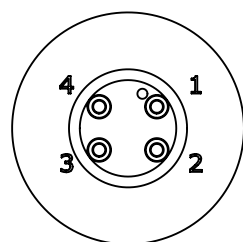
- NOTES:
 1. ALL PARTS TO BE BULK PACKED.
 2. SEE DRAWING HPMISTD FOR HOLE PATTERN.



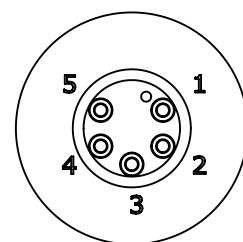
WIRING END
ASSY: 7280-2PG-300



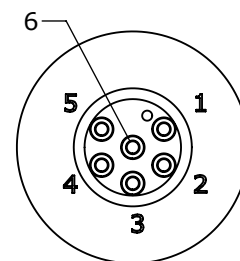
WIRING END
ASSY: 7280-3PG-300



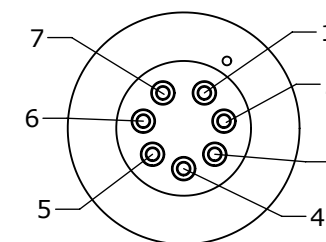
WIRING END
ASSY: 7280-4PG-300



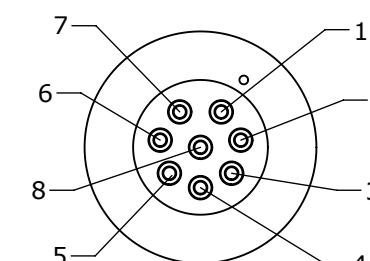
WIRING END
ASSY: 7280-5PG-300



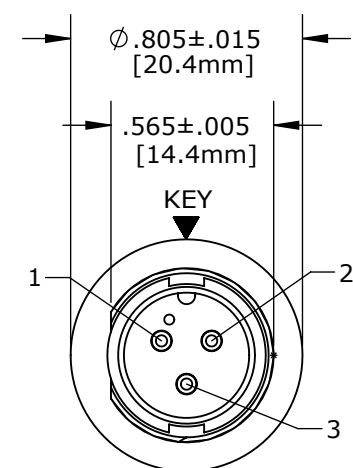
WIRING END
ASSY: 7280-6PG-300



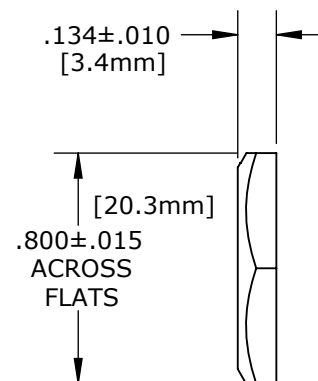
WIRING END
ASSY: 7280-7PG-300



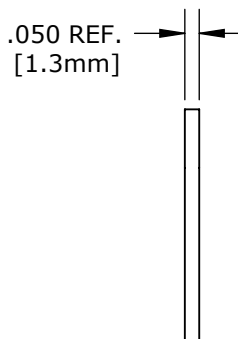
WIRING END
ASSY: 7280-8PG-300



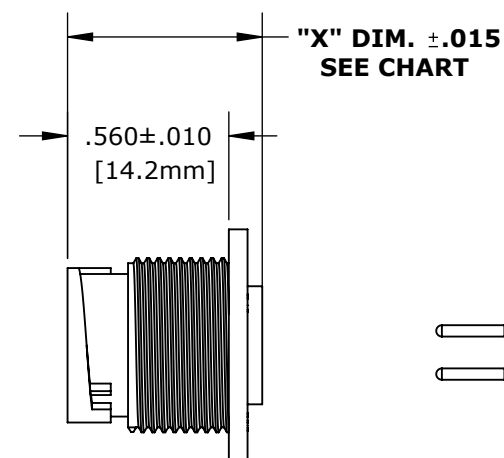
MATING FACE
ASSY: 7280-3PG-300 SHOWN



HEX NUT
MAT'L: NYLON, BLACK

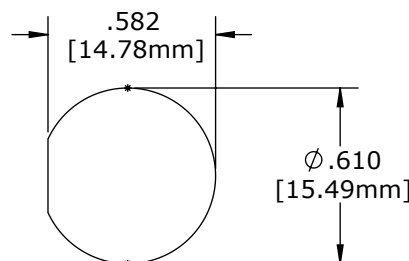
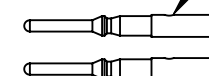


GASKET
MAT'L: RUBBER, BLACK

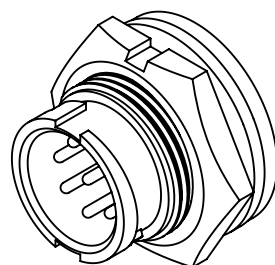


PANEL CONNECTOR, MALE
MAT'L: NYLON, BLACK

(2-8)-#20 PIN CONTACTS
CRIMP TAIL
MAT'L: GOLD PLATED
COPPER ALLOY



**RECOMMENDED
PANEL CUT-OUT**
TOLERANCE: $\pm .003$



SHOWN ASSEMBLED KIT
FOR CUSTOMER REFERENCE ONLY

DIMENSIONS IN BRACKET [] ARE METRIC.

CUSTOMER APPROVAL

THIS DOCUMENT CONTAINS CONFIDENTIAL INFORMATION PROPRIETARY TO CONXALL CORPORATION. ANY REPRODUCTION, DISCLOSURE, OR USE OF THIS DOCUMENT /INFORMATION IS EXPRESSLY PROHIBITED UNLESS AUTHORIZED IN WRITING BY CONXALL CORPORATION.

APPROVED BY: _____
DATE: _____

RoHS COMPLIANT

A	AN	08-09-11	DRAWING CREATED PER DOR 11-E149SL
REV.	INIT.	DATE	DESCRIPTION
	AN	08-08-11	
<small>ALL INFORMATION ILLUSTRATED IS THE PROPERTY OF CONXALL CORPORATION. UNAUTHORIZED DUPLICATION OR DISTRIBUTION OF THIS DOCUMENT IS PROHIBITED.</small>			<p>601 E. WILDWOOD VILLA PARK, IL 60181</p>
<small>ALL UNITS ARE IN FEET, INCHES, FRACTION OF INCHES AND DECIMALS.</small>			
APPROVED BY:		TITLE: PANEL MOUNT ASSEMBLY (2-8) #20 PIN CONTACTS MINI-CON-X	
SCALE: NTS	SIZE: B	SHEET: 1 OF 1	CUSTOMER: STANDARD PRODUCT
FILE: 7280-XPG-300	DIRECTORY: SLW	PART NUMBER: 7280-XPG-300	REV: A