

NOTE

- 1. 材料及び仕上げ(めっき仕様) : TABLE 1 参照
MATERIAL AND FINISHES : SEE TABLE 1
- 2. 製品仕様書 : 5011890000-PS 001
PRODUCT SPECIFICATION:
- 3. 梱包形態 : SEE SHEET 3
PACKAGING INFORMATION:
- 4. 嵌合相手 : 501189 シリーズ
MATES WITH:501189 SERIES
- 5. アプリケーション仕様書(コネクタ取扱い説明書) : 5011890000-AS 000
APPLICATION SPECIFICATION(CONNECTOR MANUAL):
- 6. ソルダピン及びネイルの平坦度:0.1 mm MAX.
SOLDER PIN AND NAIL COPLANARITY: 0.1 mm MAX.
- 7. 極数/2=偶数に適用
APPLICABLE FOR CIRCUIT SIZE/2 = EVEN
- 8. 本製品は複数の金めっき厚を展開しております。その他の金めっき厚は以下の図面を御参照下さい。
THIS PRODUCT EXIST MULTIPLE GOLD PLATING.
PLEASE REFER TO THE FOLLOWING DRAWING FOR OTHER GOLD PLATING THICKNESS.

GOLD PLATING THICKNESS [MICRO-METER MIN.]	SERIES No.	DRAWING No.
0.38	203564	2035640000-SD PSD 000
0.76	203565	2035650000-SD PSD 000

9. 発注番号 : TABLE 2 参照
ORDER No. : SEE TABLE 2

501190 ** ** *

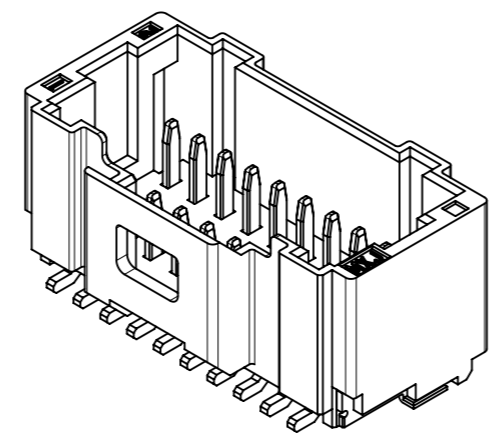
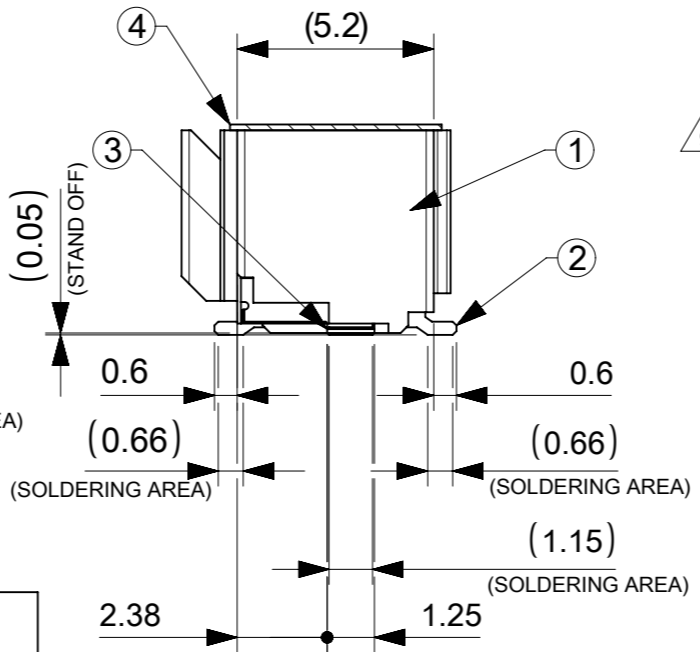
極数 CIRCUIT SIZE	ハウジングカラー HOUSING COLOR 1:NATURAL(BEIGE)	製品識別番号 IDENTIFICATION NUMBER 7:EMBOSSED PACKAGE
--------------------	---	---

9. TABLE 2

			HOUSING COLOR	
			NATURAL(WHITE)	
26.8	24.0	27.3	501190 5017	50
21.8	19.0	22.3	501190 4017	40
16.8	14.0	17.3	501190 3017	30
11.8	9.0	12.3	501190 2017	20
C	B	A	発注番号 ORDER No.	極数 CIRCUIT SIZE
極数別 寸法 DIMENSION			梱包形態 : エンボスリール PACKAGE:EMBOSSED REEL	

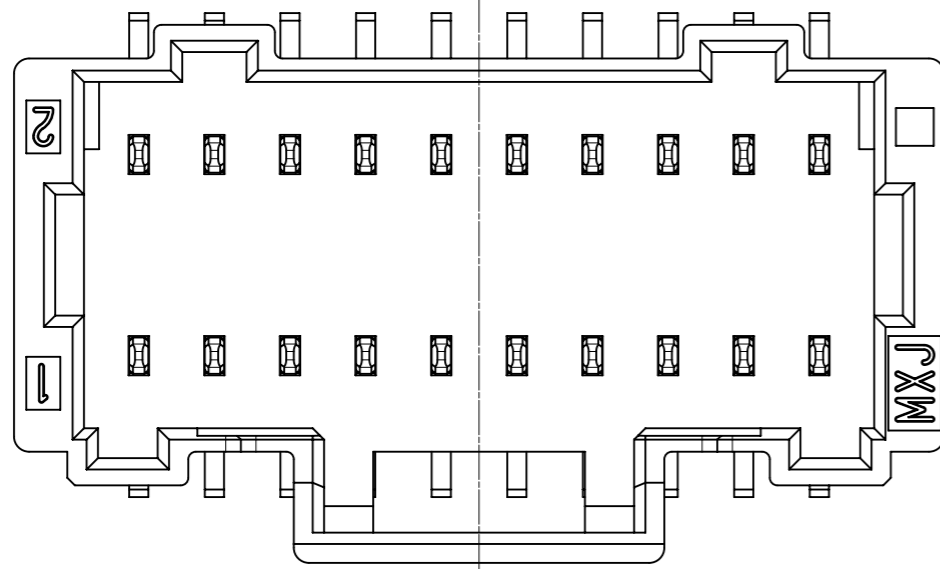
1. TABLE 1

番号 NO.	部品 PART	材質 MATERIAL	
1	ウエハー WAFER	ポリアミド(PA), UL94V-0, 色 : SEE TABLE 2 POLYAMIDE(PA), UL94V-0, COLOR : SEE TABLE 2	
2	ソルダーピン SOLDER PIN	リン青銅 PHOSPHOR BRONZE	
		接点部 CONTACT AREA	金めっき : 0.1 MICRO-METER MIN. GOLD PLATING
		テール部 TAIL AREA	金めっき GOLD PLATING
	下地めっき UNDER PLATING	ニッケルめっき : 1.0 MICRO-METER MIN. NICKEL	
3	ネイル NAIL	リン青銅 PHOSPHOR BRONZE	
		テール部 TAIL AREA	錫めっき : 1.0 MICRO-METER MIN. MATTE TIN PLATING
		下地めっき UNDER PLATING	ニッケルめっき : 1.0 MICRO-METER MIN. NICKEL
4	カバーテープ COVER TAPE	ポリイミドテープ POLYIMIDE TAPE	

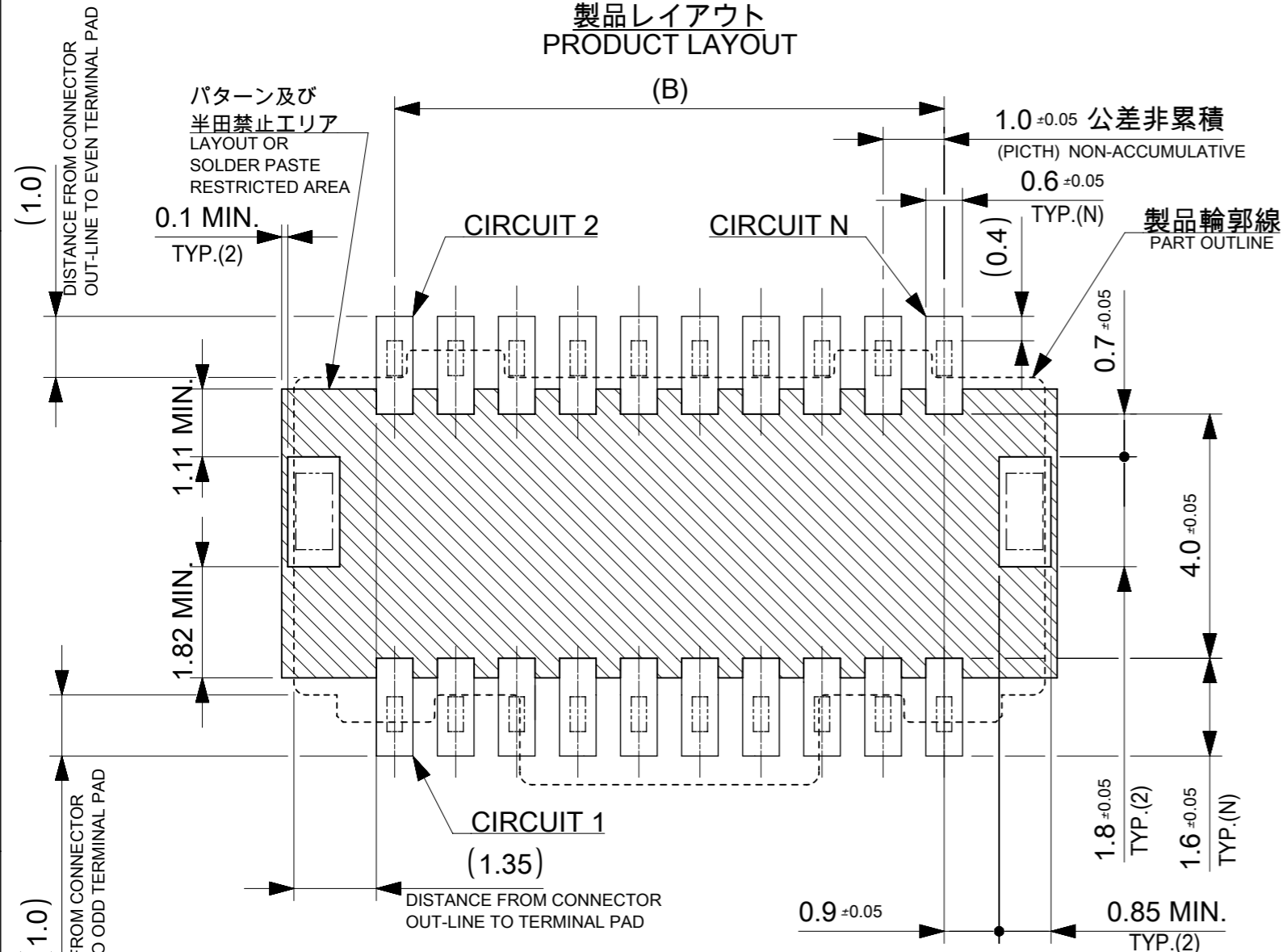


THIS DRAWING CONTAINS INFORMATION THAT IS PROPRIETARY TO MOLEX ELECTRONIC TECHNOLOGIES, LLC AND SHOULD NOT BE USED WITHOUT WRITTEN PERMISSION

DIMENSION UNITS mm	SCALE NTS	CURRENT REV DESC:		molex		
GENERAL TOLERANCES (UNLESS SPECIFIED)		EC NO: 615136				
ANGULAR TOL ± 3.0°	4 PLACES ± 0.2	DRWN: AISHIKAWA	2019/09/05	PRODUCT CUSTOMER DRAWING		
3 PLACES ± 0.2	2 PLACES ± 0.2	CHK'D: AIDA	2019/09/11	DOCUMENT NUMBER		
1 PLACE ± 0.2	0 PLACES ± 0.2	APPR: SAKIYAMA	2019/09/17	DOC TYPE DOC PART REVISION		
DRAFT WHERE APPLICABLE MUST REMAIN WITHIN DIMENSIONS		INITIAL REVISION:		5011900000-SD		
THIRD ANGLE PROJECTION		DRWN: AISHIKAWA	2019/03/19	SEE SHEET 5		
DRAWING		APPR: KOMURAKAMI	2019/04/03	1 OF 4		
SERIES		A3-SIZE 501190		SHEET NUMBER		
MATERIAL NUMBER		CUSTOMER		1 OF 4		



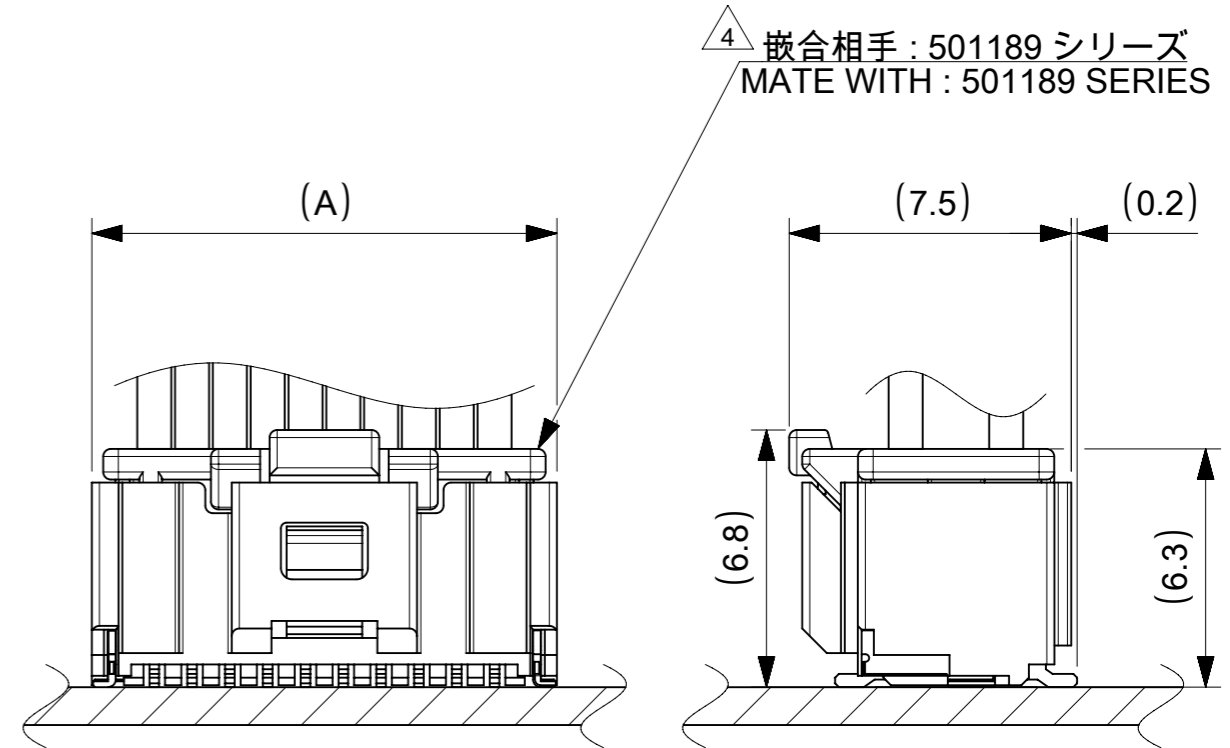
製品レイアウト
PRODUCT LAYOUT



推奨基板レイアウト(全極数適応) : 実装面側
(参考 : 基板厚 1.0mm, メタルマスク厚さ 0.12mm, マスク開口率100%)

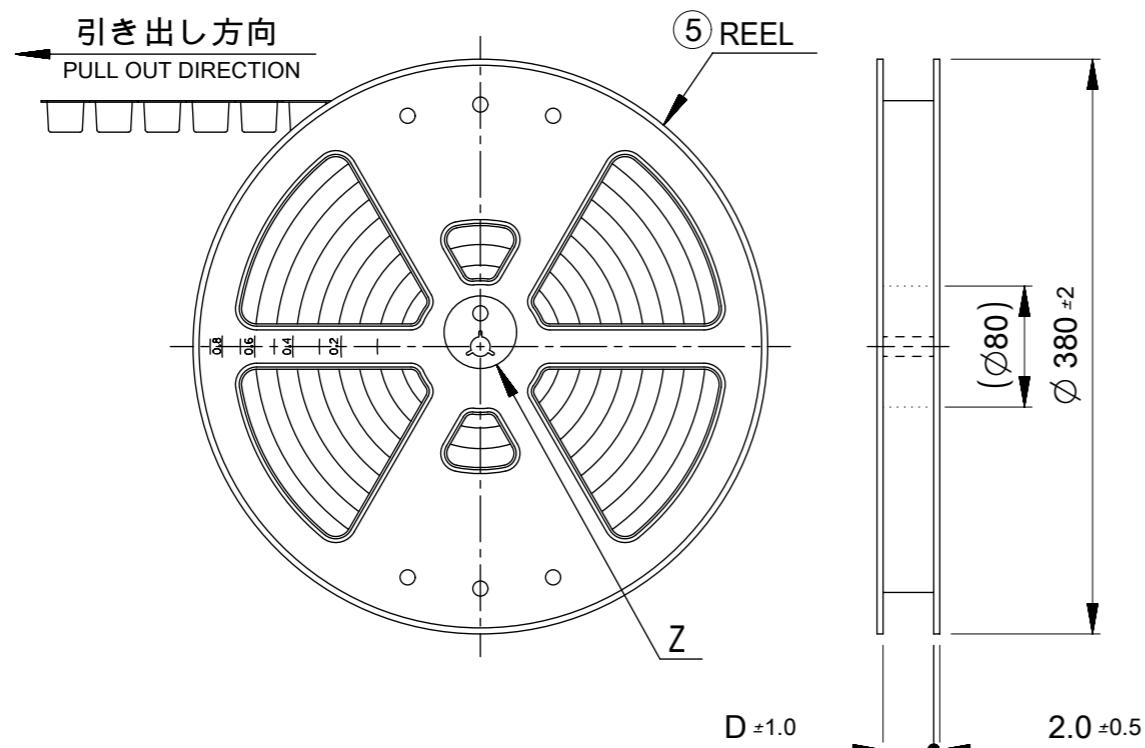
POLARIZED RECOMMENDED PCB LAYOUT(APPLY TO ALL CIRCUIT) : COMPONENT SIDE
(REFERENCE: PCB THICKNESS 1.0mm, STENCIL THICKNESS 0.12mm, APERTURE RATIO 100%)

:パターン禁止エリア
RESTRICTED AREA
NO PCB COMPONENTS ALLOWED



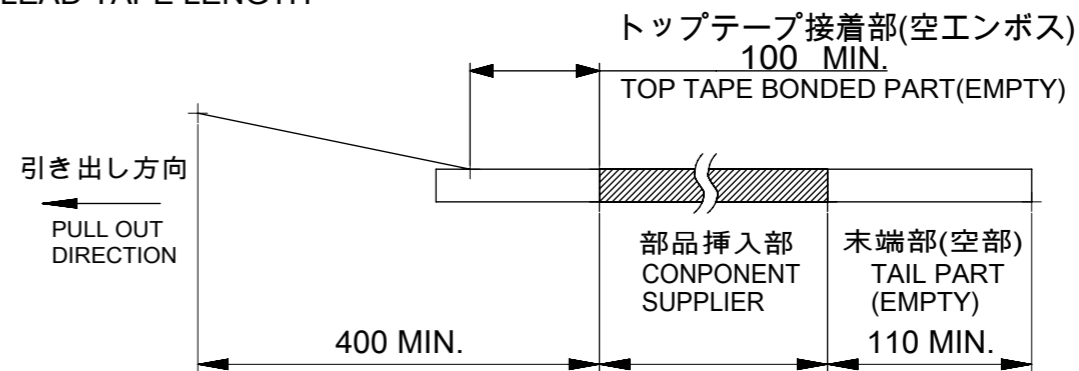
嵌合図
MATED CONNECTORS

THIS DRAWING CONTAINS INFORMATION THAT IS PROPRIETARY TO MOLEX ELECTRONIC TECHNOLOGIES, LLC AND SHOULD NOT BE USED WITHOUT WRITTEN PERMISSION		CURRENT REV DESC:		molex	
DIMENSION UNITS	SCALE				
mm	NTS			PICO-CLASP 1.0 W/B DUAL ROW VT SMT GOLD PLATING 0.1 MICRO-METER	
GENERAL TOLERANCES (UNLESS SPECIFIED)		EC NO: 615136		DOCUMENT NUMBER	
ANGULAR TOL	± 3.0 °	DRWN: AISHIKAWA	2019/09/05	5011900000-SD	
4 PLACES	± 0.2	CHK'D: AIDA	2019/09/11	DOC TYPE	DOC PART
3 PLACES	± 0.2	APPR: SAKIYAMA	2019/09/17	PSD	000
2 PLACES	± 0.2	INITIAL REVISION:		REVISION	B
1 PLACE	± 0.2	DRWN: AISHIKAWA	2019/03/19		
0 PLACES	± 0.2	APPR: KOMURAKAMI	2019/04/03		
DRAFT WHERE APPLICABLE MUST REMAIN WITHIN DIMENSIONS	THIRD ANGLE PROJECTION	DRAWING	SERIES	MATERIAL NUMBER	CUSTOMER
		A3-SIZE	501190	SEE SHEET 5	
DOCUMENT STATUS		RELEASE DATE		SHEET NUMBER	
P1		2019/09/17 08:21:00		2 OF 4	

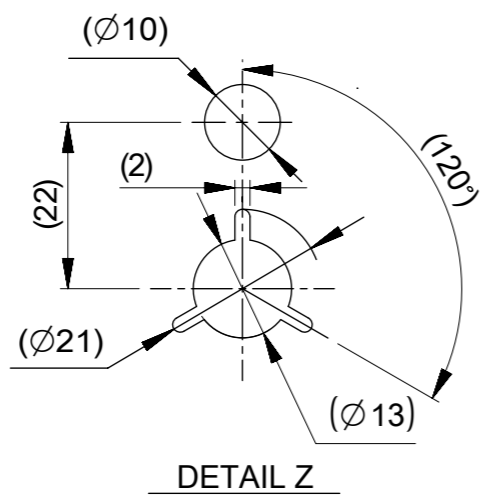


NOTES

- 10. 梱包数量:1100個/リール
NUMBER OF CONNECTORS : 1100 PIECES/REEL
- 11. リードテープ長さ
LEAD TAPE LENGTH



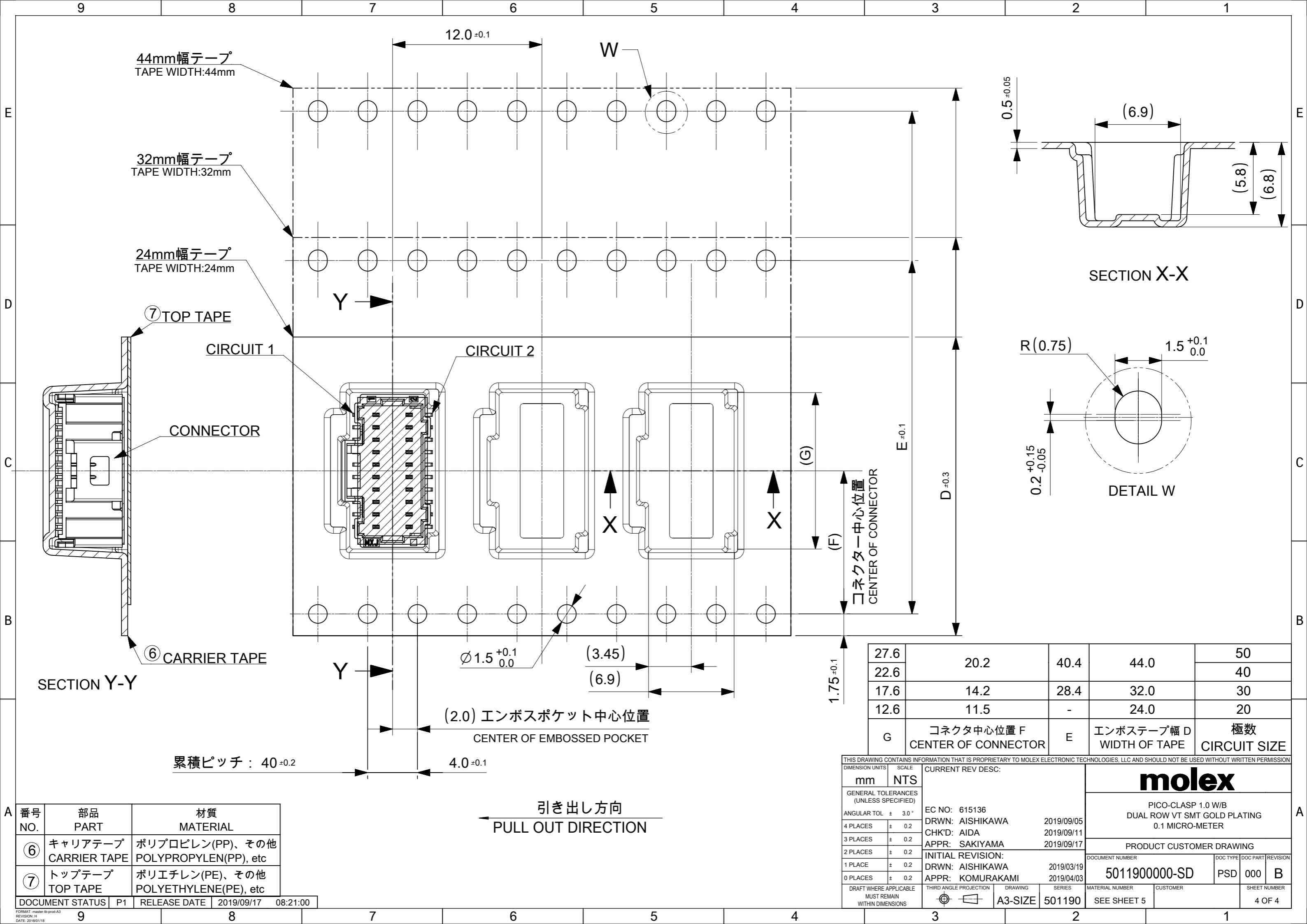
- 12. トップテープの剥離強度はIEC60286-3に準拠。
TOP TAPE PEELING FORCE IS DEFINED BY IEC60286-3.
- 13. 梱包仕様書 : SPK-501190-001
PACKAGE SPECIFICATION:



45.5	50
	40
33.5	30
25.5	20
D	極数 CIRCUIT SIZE

番号 NO.	部品 PART	材質 MATERIAL
⑤	リール REEL	ポリスチレン(PS) <リサイクル材を含む> POLYSTYRENE(PS) <RECYCLE MATERIAL CONTAINED>
DOCUMENT STATUS	P1	RELEASE DATE 2019/09/17 08:21:00

THIS DRAWING CONTAINS INFORMATION THAT IS PROPRIETARY TO MOLEX ELECTRONIC TECHNOLOGIES, LLC AND SHOULD NOT BE USED WITHOUT WRITTEN PERMISSION		CURRENT REV DESC:				
DIMENSION UNITS	SCALE	EC NO: 615136				
mm	NTS	DRWN: AISHIKAWA 2019/09/05		DUAL ROW VT SMT GOLD PLATING		
GENERAL TOLERANCES (UNLESS SPECIFIED)		CHK'D: AIDA 2019/09/11		0.1 MICRO-METER		
ANGULAR TOL	± 3.0 °	APPR: SAKIYAMA 2019/09/17		PRODUCT CUSTOMER DRAWING		
4 PLACES	± 0.2	INITIAL REVISION:		DOCUMENT NUMBER		
3 PLACES	± 0.2	DRWN: AISHIKAWA 2019/03/19		5011900000-SD		
2 PLACES	± 0.2	APPR: KOMURAKAMI 2019/04/03		DOC TYPE DOC PART REVISION		
1 PLACE	± 0.2			PSD 000 B		
0 PLACES	± 0.2			MATERIAL NUMBER CUSTOMER SHEET NUMBER		
DRAFT WHERE APPLICABLE MUST REMAIN WITHIN DIMENSIONS		THIRD ANGLE PROJECTION	DRAWING	SERIES	MATERIAL NUMBER	CUSTOMER
			A3-SIZE	501190	SEE SHEET 5	3 OF 4



44mm幅テープ
TAPE WIDTH:44mm

32mm幅テープ
TAPE WIDTH:32mm

24mm幅テープ
TAPE WIDTH:24mm

⑦ TOP TAPE

CIRCUIT 1

CIRCUIT 2

CONNECTOR

⑥ CARRIER TAPE

SECTION Y-Y

SECTION X-X

DETAIL W

(2.0) エンボスポケット中心位置
CENTER OF EMBOSSED POCKET

累積ピッチ : 40 ± 0.2

引き出し方向
PULL OUT DIRECTION

27.6	20.2	40.4	44.0	50
22.6				40
17.6	14.2	28.4	32.0	30
12.6	11.5	-	24.0	20
G	コネクタ中心位置 F CENTER OF CONNECTOR	E	エンボステープ幅 D WIDTH OF TAPE	極数 CIRCUIT SIZE

THIS DRAWING CONTAINS INFORMATION THAT IS PROPRIETARY TO MOLEX ELECTRONIC TECHNOLOGIES, LLC AND SHOULD NOT BE USED WITHOUT WRITTEN PERMISSION		CURRENT REV DESC:		molex	
DIMENSION UNITS	SCALE				
mm	NTS			PICO-CLASP 1.0 W/B DUAL ROW VT SMT GOLD PLATING 0.1 MICRO-METER	
GENERAL TOLERANCES (UNLESS SPECIFIED)		EC NO: 615136		DOCUMENT NUMBER	
ANGULAR TOL	± 3.0°	DRWN: AISHIKAWA 2019/09/05		5011900000-SD	
4 PLACES	± 0.2	CHK'D: AIDA 2019/09/11		DOC TYPE	DOC PART
3 PLACES	± 0.2	APPR: SAKIYAMA 2019/09/17		PSD	000
2 PLACES	± 0.2	INITIAL REVISION:		REVISION	B
1 PLACE	± 0.2	DRWN: AISHIKAWA 2019/03/19			
0 PLACES	± 0.2	APPR: KOMURAKAMI 2019/04/03			
DRAFT WHERE APPLICABLE MUST REMAIN WITHIN DIMENSIONS		THIRD ANGLE PROJECTION	DRAWING	SERIES	MATERIAL NUMBER
			A3-SIZE	501190	SEE SHEET 5
				CUSTOMER	SHEET NUMBER
					4 OF 4

番号 NO.	部品 PART	材質 MATERIAL
⑥	キャリアテープ CARRIER TAPE	ポリプロピレン(PP)、その他 POLYPROPYLEN(PP), etc
⑦	トップテープ TOP TAPE	ポリエチレン(PE)、その他 POLYETHYLENE(PE), etc

DOCUMENT STATUS	P1	RELEASE DATE	2019/09/17	08:21:00
-----------------	----	--------------	------------	----------