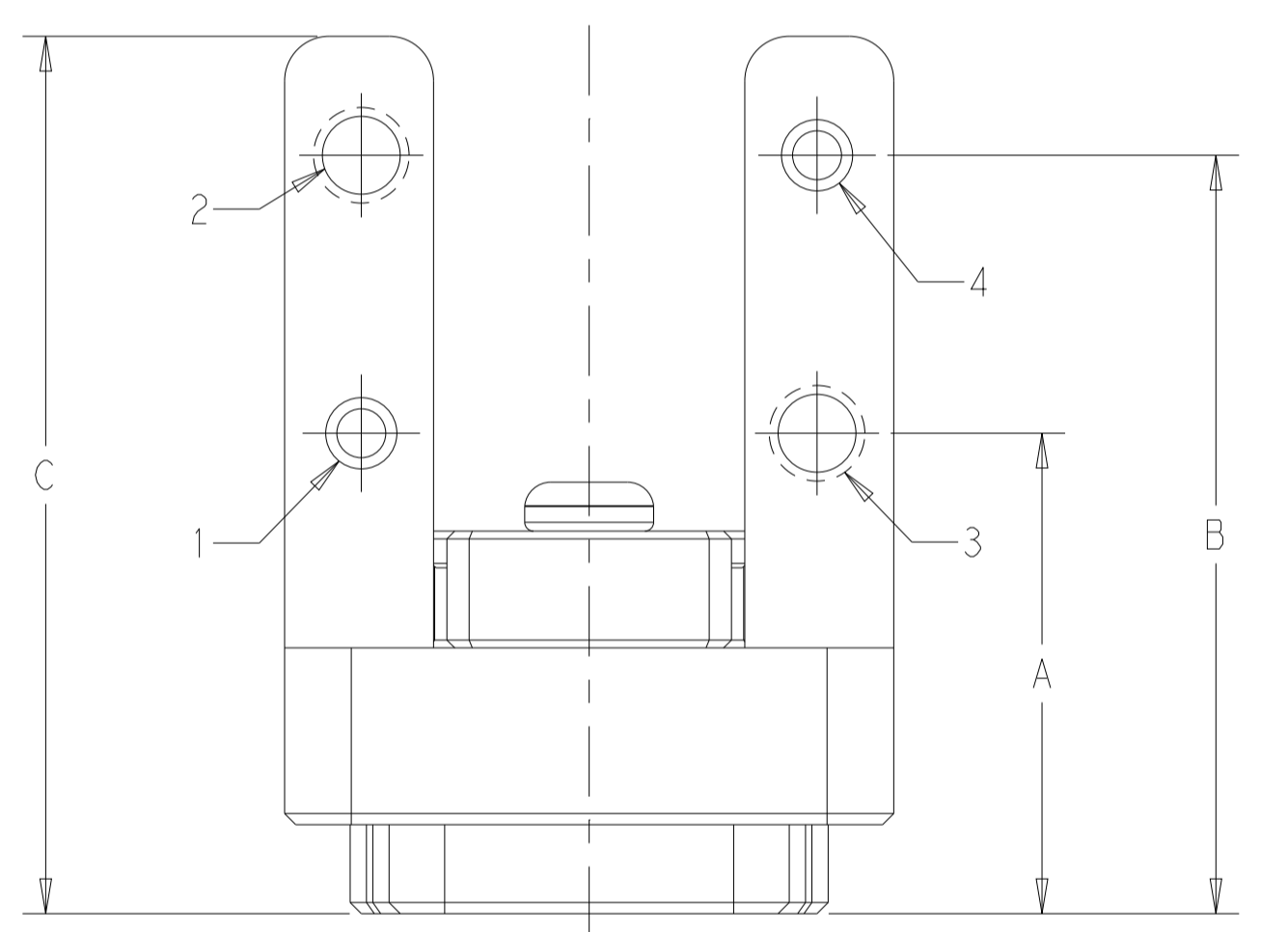
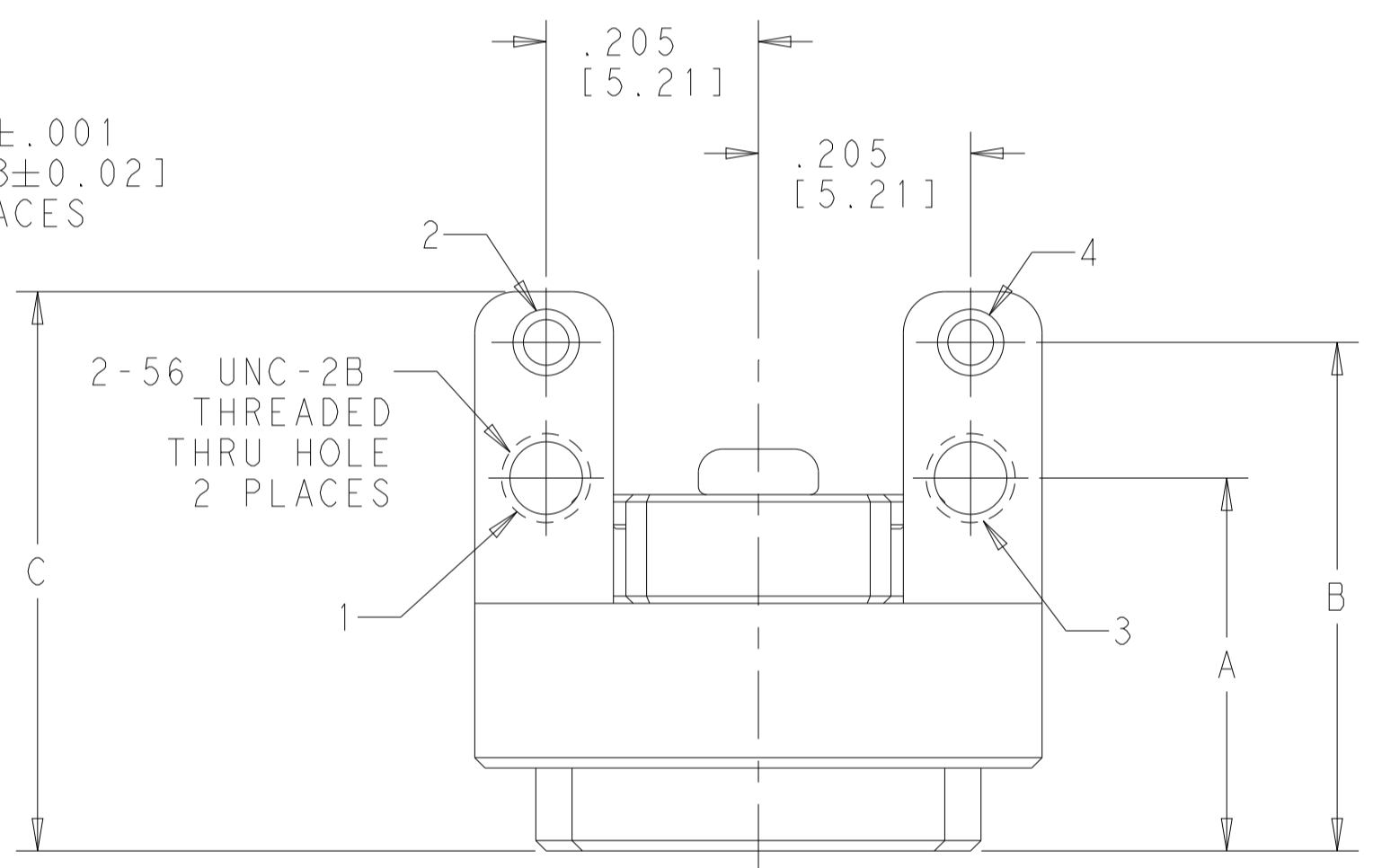
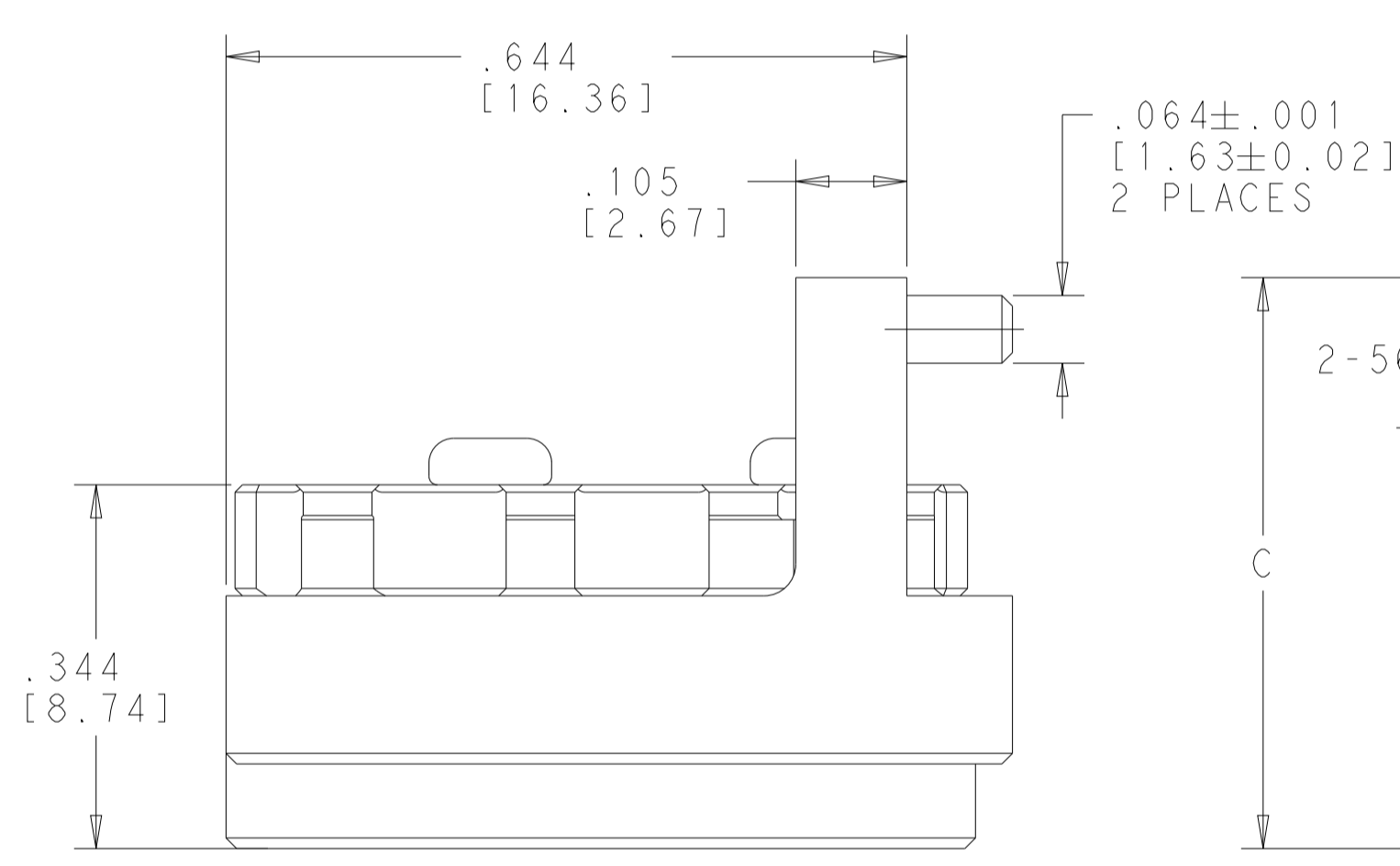
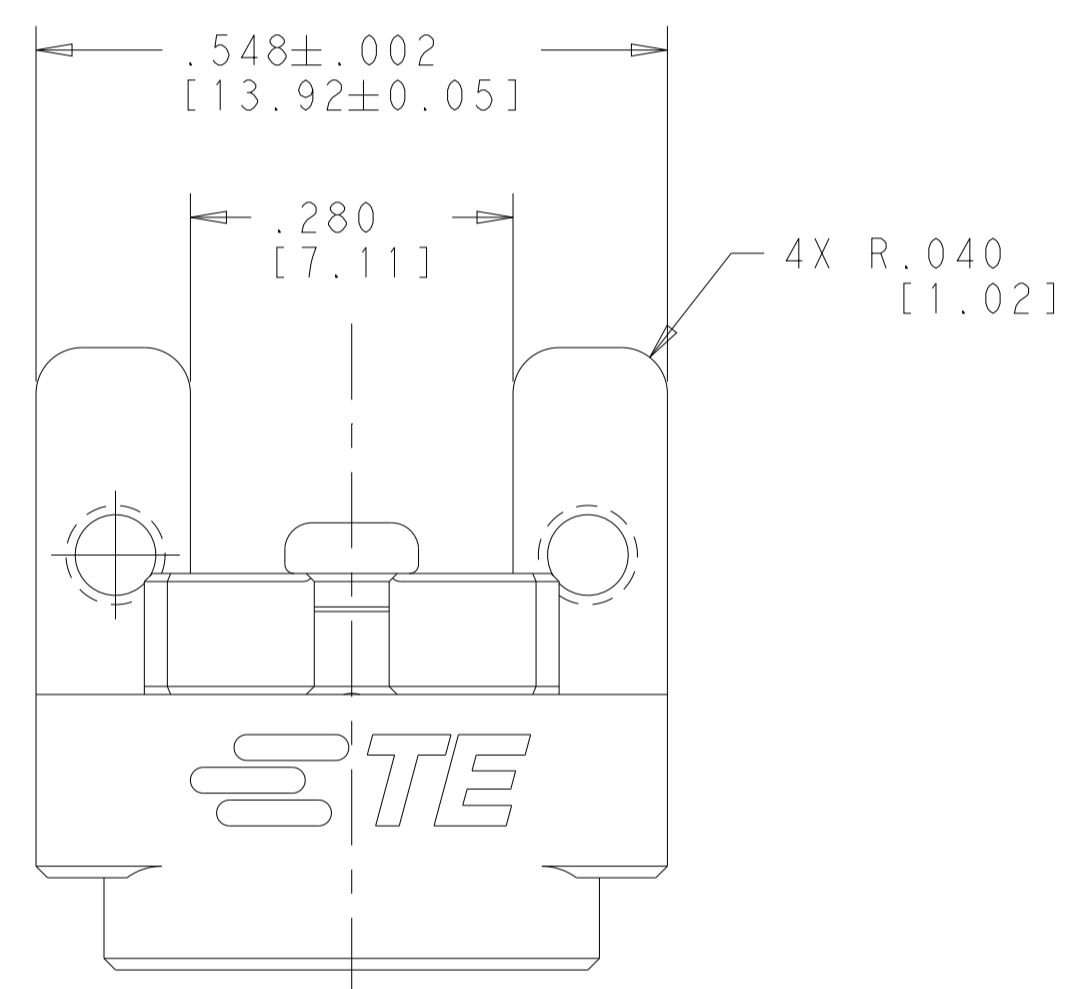
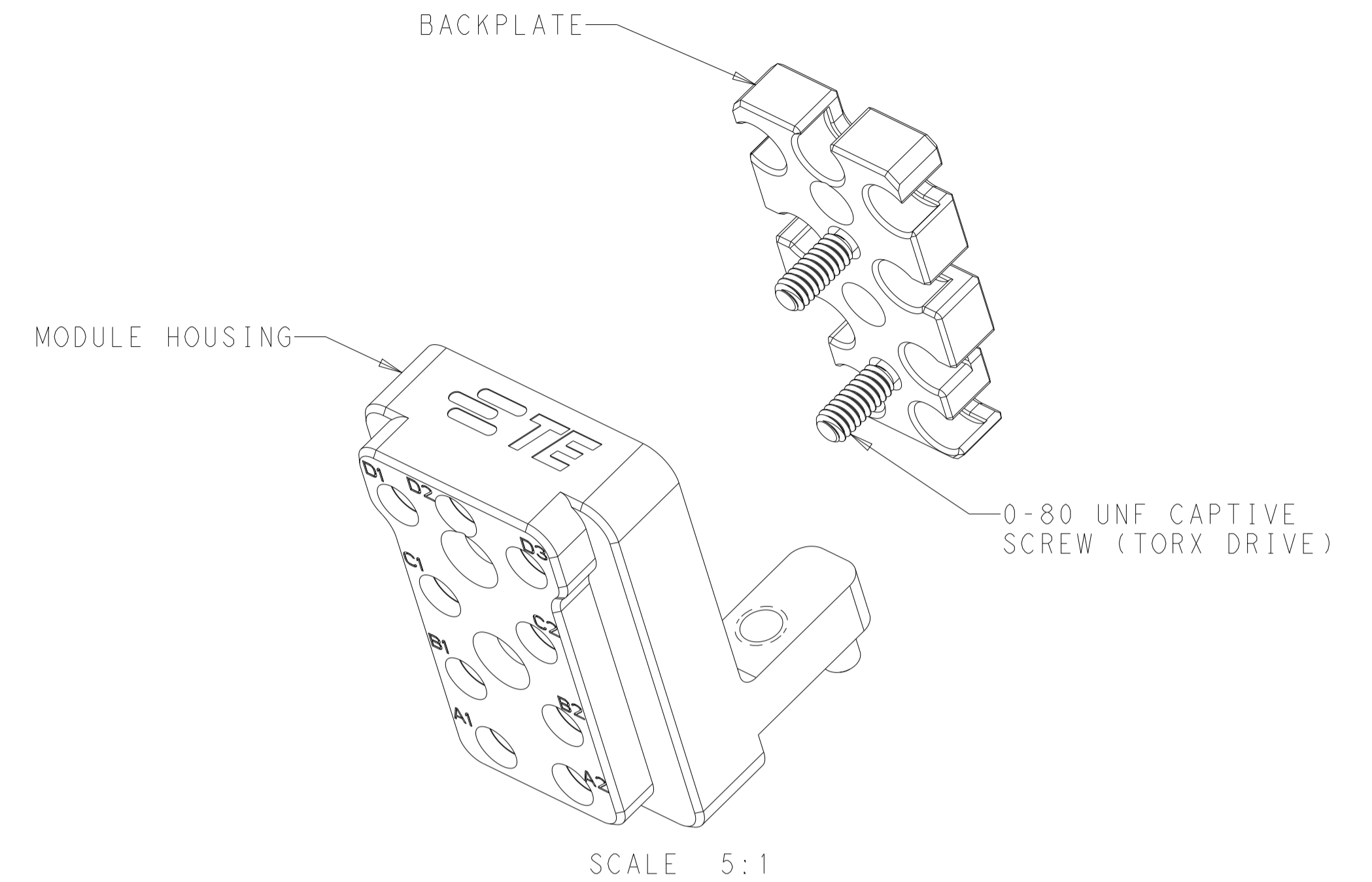
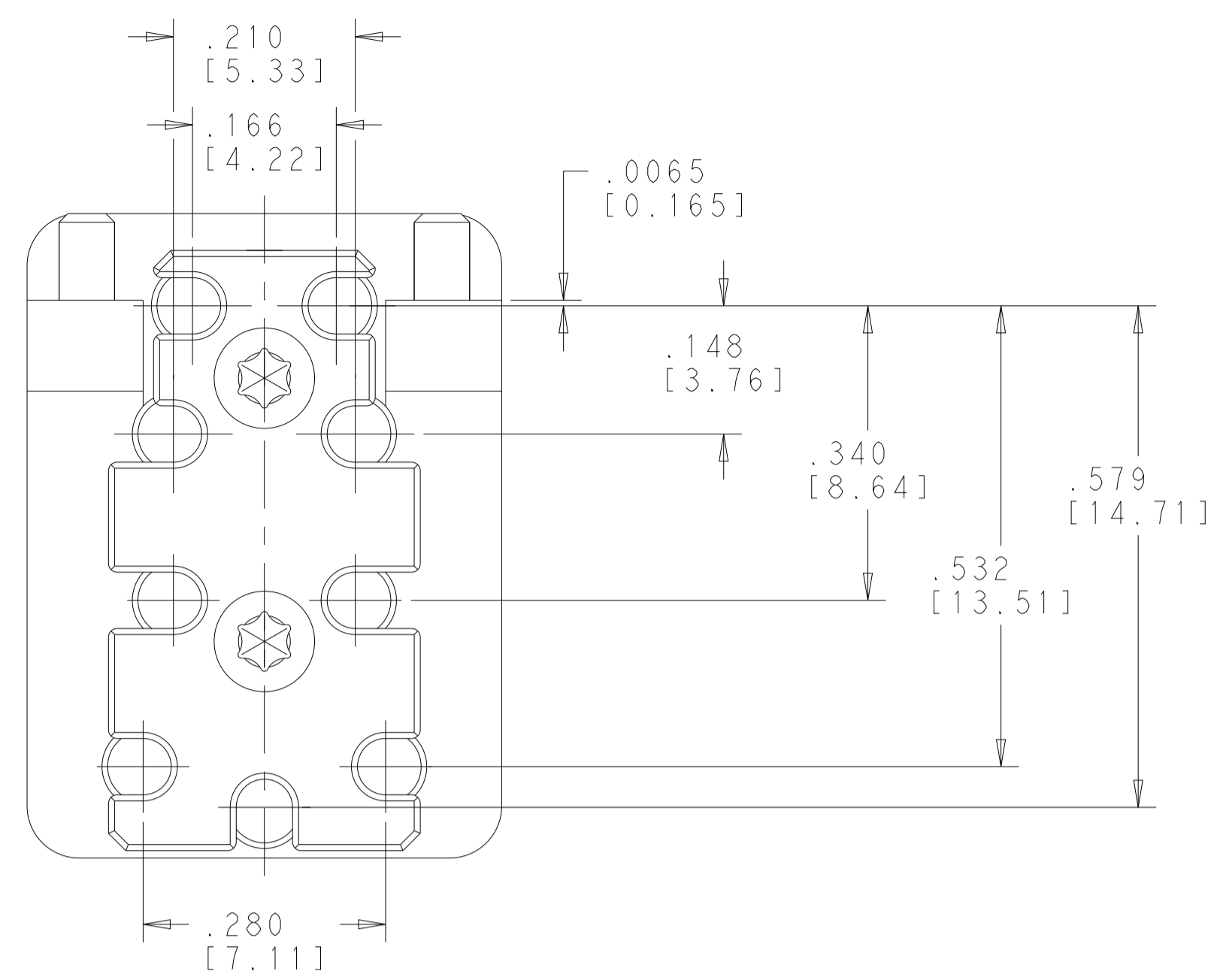
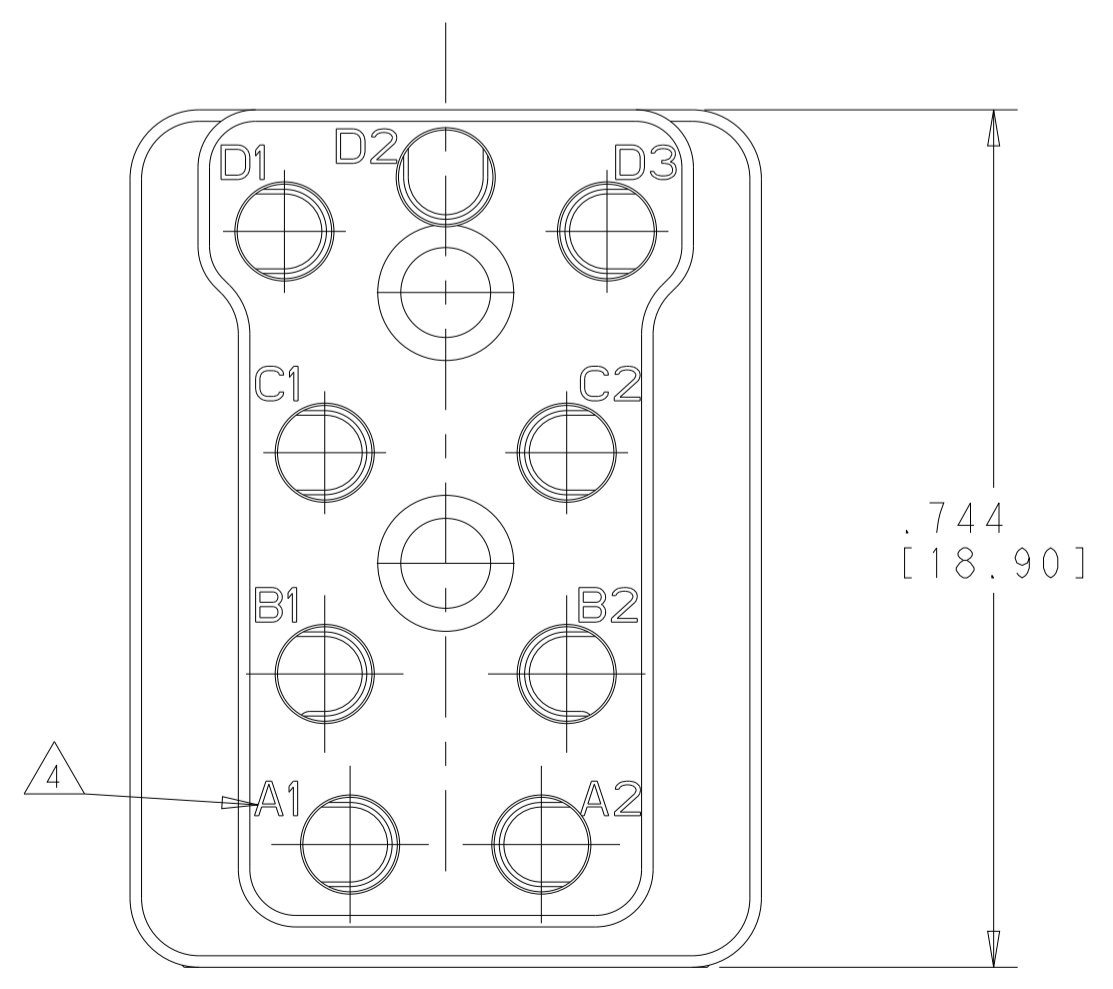


REVISIONS				
P	LTN	DESCRIPTION	DATE	APVD
A		RELEASED PER ECO 20-004476	4-2-20	CT FB
B		REV PER ECO-21-008136	21OCT2021	JAB FB



2357976-1  
SEE TABLE  
SCALE 6:1

2357976-2  
SEE TABLE  
SCALE 6:1



- △ MATERIAL:  
MODULE HOUSING AND BACKPLATE - ALUMINUM ALLOY  
SCREWS - 300 SERIES STAINLESS STEEL
- △ FINISH:  
MODULE HOUSING AND BACKPLATE - CLEAR CHROMATE CONVERSION COATING  
SCREWS - PASSIVATED
- 3. SHIPPED IN KIT FORM. BACKPLATE SCREWS TO BE ASSEMBLED TO BACKPLATE.
- △ CIRCUIT IDENTIFICATION MARKING
- 5. DESIGNED TO BE USED WITH NanoRF CONTACTS 2302339-1

.432	.682	.789	P	H	H	P	2357976-2
.360	.490	.540	H	P	H	P	2357976-1
A	B	C	1	2	3	4	PART NUMBER
LOCATION			SELECTION P=POST H=HOLE				

JURISDICTION	EAR
CLASSIFICATION	EAR99
DATE OF MARKING	21OCT2021
THIS DOCUMENT CONTAINS CONTROLLED TECHNICAL DATA SUBJECT TO THE EXPORT ADMINISTRATION REGULATIONS (EAR). VIOLATIONS OF THESE EXPORT LAWS AND REGULATIONS ARE SUBJECT TO CIVIL AND CRIMINAL PENALTIES.	

THIS DRAWING IS A CONTROLLED DOCUMENT. DWN: K. MILLER 08JUL2019  
 CHK: K. DOWHOWER 16AUG2019

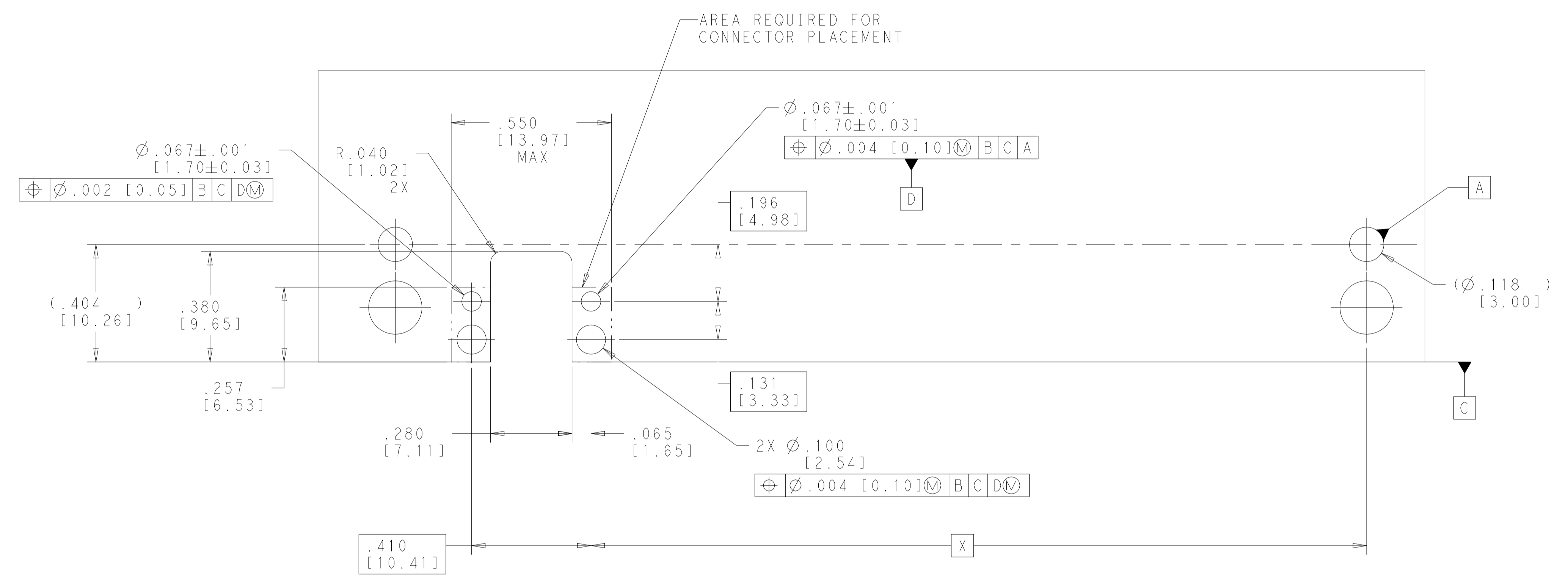
DIMENSIONS: [INCHES(mm)]	TOLERANCES UNLESS OTHERWISE SPECIFIED:	APVD	NAME
0 PLC ±	0 PLC ±		
1 PLC ±	1 PLC ±		
2 PLC ±	2 PLC ±		
3 PLC ±.005(0.13)	3 PLC ±.005(0.13)		
4 PLC ±	4 PLC ±		
ANGLES ±	ANGLES ±		
FINISH	FINISH		

MATERIAL: 1 FINISH: 2

CUSTOMER DRAWING SCALE: 6:1 SHEET 1 OF 2 REV B

TE Connectivity  
 NanoRF MODULE, DAUGHTERCARD, 9 POSITION, .047 CABLE, VITA 67.3  
 A100779C=2357976

REVISIONS				
P	LTN	DESCRIPTION	DATE	APVD
-		SEE SHEET 1	-	-



RECOMMENDED PCB LAYOUT  
 (FOR CABLED CONTACTS)

P2A	2.107[53.52]
P2B	2.663[67.64]
P3A	3.795[96.39]
P3B	4.351[110.51]
P4A	4.929[125.19]
P4B	5.485[139.31]
P5A	6.062[153.99]
P5B	6.618[168.11]
P6A	7.196[182.79]
P6B	7.752[196.91]
POSITION	DIM "X"

JURISDICTION	EAR
CLASSIFICATION	EAR99
DATE OF MARKING	21OCT2021
THIS DOCUMENT CONTAINS CONTROLLED TECHNICAL DATA SUBJECT TO THE EXPORT ADMINISTRATION REGULATIONS (EAR). VIOLATIONS OF THESE EXPORT LAWS AND REGULATIONS ARE SUBJECT TO CIVIL AND CRIMINAL PENALTIES.	

THIS DRAWING IS A CONTROLLED DOCUMENT.		OWN K. MILLER 16AUG2019	08JUL2019	TE Connectivity
DIMENSIONS: INCHES(mm)		CHK K. DOWHOWER	16AUG2019	
TOLERANCES UNLESS OTHERWISE SPECIFIED: 0 PLC ±. 1 PLC ±. 2 PLC ±. 3 PLC ±.005(0.13) 4 PLC ±. ANGLES ±. FINISH		APVD	NAME	NanoRF MODULE, DAUGHTERCARD, 9 POSITION, .047 CABLE, VITA 67.3
		PRODUCT SPEC	108-163006	
MATERIAL		APPLICATION SPEC	408-163016	RESTRICTED TO
		WEIGHT	-	SIZE
		CUSTOMER DRAWING	SCALE 6:1	SHEET 2 OF 2
				REV B