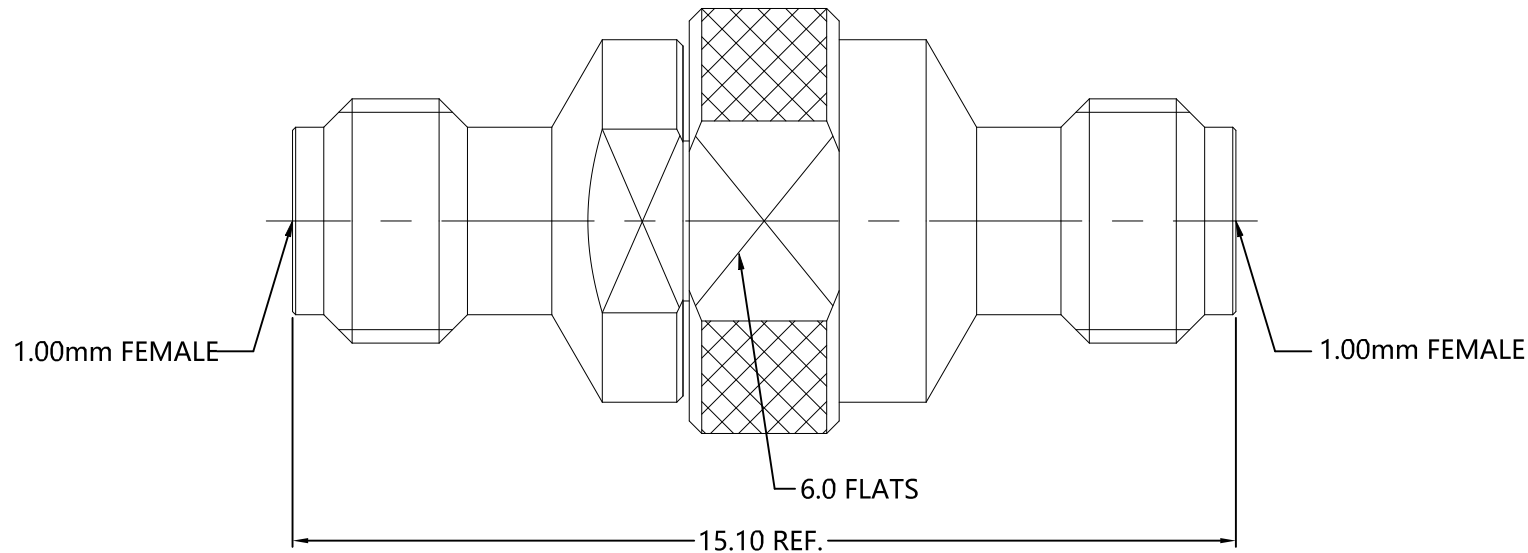


REVISIONS					
P	LTR	DESCRIPTION	DATE	BYN	APVD
A		ECN-21-107697	30JUN2021	PZ	WKH



ELECTRICAL	MECHANICAL	ENVIRONMENTAL
Impedance (Ohm): <u>50</u> Frequency Range: <u>DC to 110GHz</u> Voltage Rating (Peak) @ Sea Level <u>170 V RMS</u> Insulation Resistance (MIN.) <u>5000 M ohms</u> Contact Resistance (mohms MAX) Center Contact <u>4.0</u> Outer Contact <u>1.0</u> Dielectric Withstand Voltage: <u>500 V RMS Max</u> Insertion Loss : <math><0.08 \times \sqrt{f}</math> (GHz) dB VSWR: <u>1.35 @ DC ~ 110GHz</u>	Interface Dimension <u>1.0mm female</u> Force to Engage and Disengage Engage: <u>N/A</u> Disengage: <u>N/A</u> Center Contact Captivation Axial (N) <u>13.0 MIN</u> Radial (In/Oz) <u>N/A</u> Cable Retention Axial (Lbs) <u>N/A</u> Mating cycles <u>500 cycles</u>	TEMPERATURE RANGE <u>-40 °C ~ +125 °C</u> ROHS <u>COMPLIANT</u>

1	CONTACT PIN	BERYLLIUM COPPER	PL.GOLD30u"/NICKEL
1	INSULATOR	PEI	N/A
1	BODY	STAINLESS STEEL 316F	PASSIVATION
2388687-1	PART NUMBER	MATERIAL	PLATING

THIS DRAWING IS A CONTROLLED DOCUMENT.

DIMENSIONS: mm 	TOLERANCES UNLESS OTHERWISE SPECIFIED: 0 PLC ± - 1 PLC ± 0.3 2 PLC ± 0.2 3 PLC ± 0.1 4 PLC ± - ANGLES ± 5°	DWN: <u>PENG ZHAI</u> 28JAN2021 CHK: <u>ROGER SONG</u> 28JAN2021 APVD: <u>WENKE HE</u> 28JAN2021 PRODUCT SPEC: - APPLICATION SPEC: - WEIGHT: <u>0</u>	TE Connectivity NAME: <u>1.0mm Female to 1.0mm Female Adapter</u> SIZE: <u>A2</u> CAGE CODE: <u>00779</u> DRAWING NO: <u>2388687</u> RESTRICTED TO: - SCALE: <u>1:1</u> SHEET: <u>1</u> OF <u>1</u> REV: <u>A</u>
-----------------------	--	--	---

CUSTOMER DRAWING

2388687