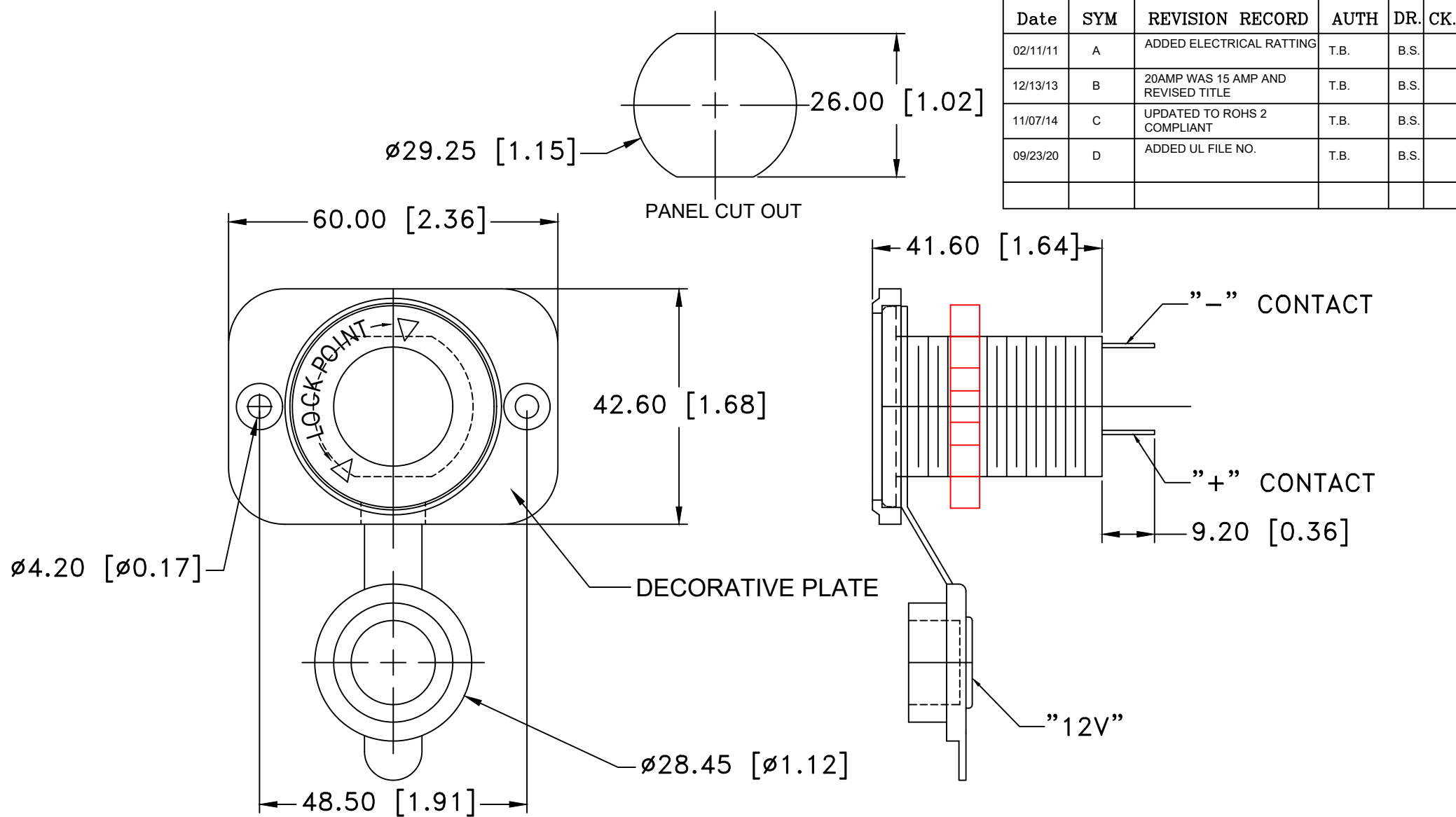



Date	SYM	REVISION RECORD	AUTH	DR.	CK.
02/11/11	A	ADDED ELECTRICAL RATING	T.B.	B.S.	
12/13/13	B	20AMP WAS 15 AMP AND REVISED TITLE	T.B.	B.S.	
11/07/14	C	UPDATED TO ROHS 2 COMPLIANT	T.B.	B.S.	
09/23/20	D	ADDED UL FILE NO.	T.B.	B.S.	



MATERIAL SPECIFICATION:

COVER: PVC
 BODY: NYLON #66, UL94V-0 RATED, UL FILE NO. E41781
 CONTACTS: BRASS, NICKEL PLATED
 RATING: 50m Ω Max
 INSULATION RATING: 500VDC, 100m Ω MIN.
 DIELECTRIC STRENGTH: 1500VAC 1 MIN.
 NUT: NYLON #66
 BASE: NYLON #66
 DECORATIVE PLATE: NYLON #66
 RATING: 12V, 20AMP
 ROHS COMPLIANT

Tolerance (Except as noted)	 Memory Protection Devices, Inc 200 Broad Hollow Road, Farmingdale, New York 11735		
	decimal $\pm .5$ (.020)	Scale	Drawn By B.S. Approved By T.B.
Fractional $\pm .8$ (.030)	Title 12V CIGARETTE SOCKET, 20AMP		
Angular $\pm 3^\circ$	Date 09/23/20	Drawing Number AS212-C	