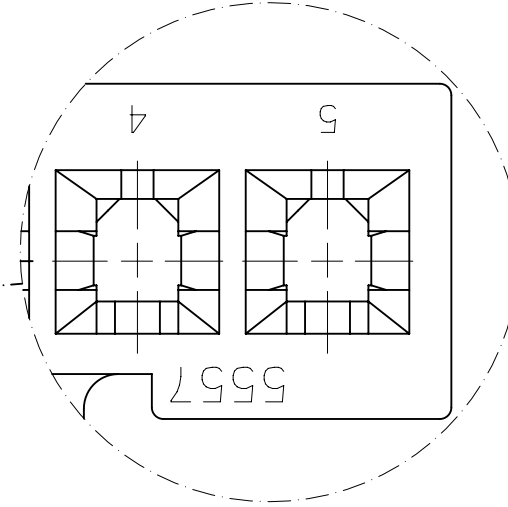
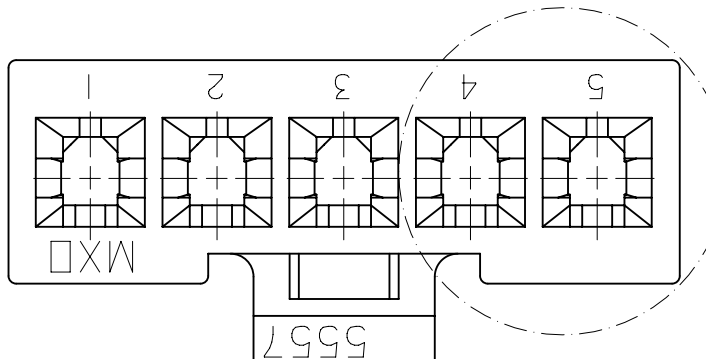


NOTES:

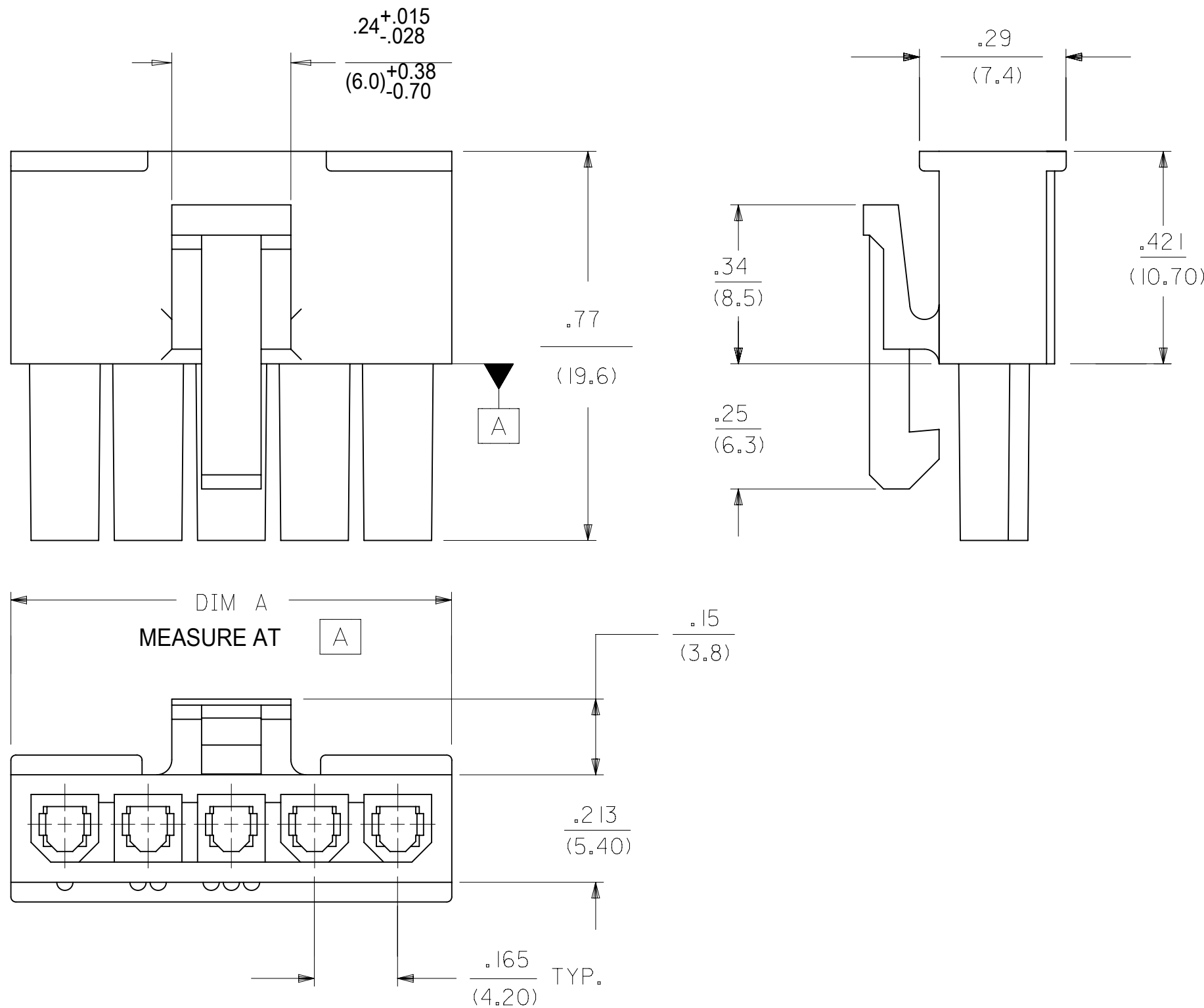
- 1) MATERIAL:  
 "BLANK": NYLON 6/6, 94V-2, COLOR: NATURAL.  
 210 : NYLON 6/6, 94V-0, COLOR: NATURAL.  
 400 : NYLON 6/6, 94V-0, COLOR: BLACK.
- 2) FINISH: NOT APPLICABLE
- 3) PRODUCT SPECIFICATION: PS-5556-001
- 4) PACKAGING SPECIFICATION: PK-5557-002
- 5) PART MATES WITH MOLEX PLUG #5559-\*, VERTICAL HEADER #5566-\*, AND RIGHT-ANGLE HEADER #5569-\*.
- 6) PART IS FOR USE WITH MOLEX FEMALE TERMINAL #5556-\*.
- 7) PART CONFORMS TO CLASS "B" REQUIREMENTS OF COSMETIC SPECIFICATION PS-45499-002.
- 8) PART IS NOT DESIGNED FOR CURRENT SHARING.
- 9) CONNECTORS ARE NOT TO BE MATED OR UNMATED WHILE CIRCUITS ARE LIVE.
- 10) WIRES ARE TO BE DRESSED IN SUCH A MANNER TO ALLOW THE TERMINALS TO FLOAT FREELY IN THE POCKET.
- 11) TEXT ON PART IS FOR REFERENCE ONLY. TEXT AND TEXT LOCATION MAY VARY DEPENDING ON PART NUMBER AND/OR TOOL.
- 12) BUBBLE IS ACCEPTABLE ON LATCH AREA.

CKT SIZE	DIM A
2	.378 (9.60)
4	.709 (18.00)
5	.874 (22.20)
6	1.039 (26.40)

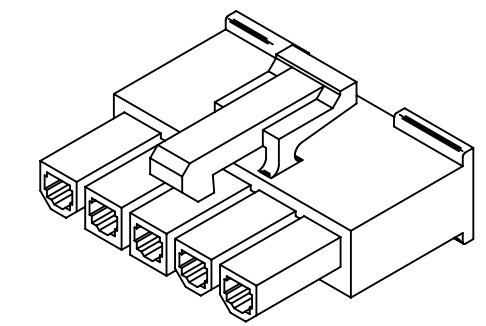
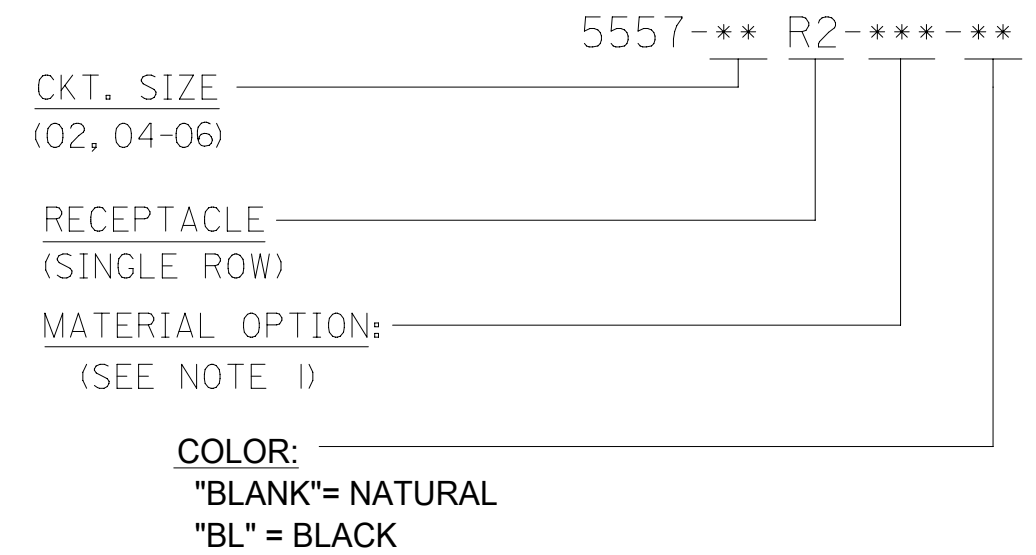
PART NUMBER	ENG. NUMBER	CKT. SIZE	MATERIAL (SEE NOTE 1.)
39-01-4020	5557-02R2	2	94V-2
39-01-4021	5557-02R2-210	2	94V-0
39-01-4040	5557-04R2	4	94V-2
39-01-4041	5557-04R2-210	4	94V-0
<b>46999-0503</b>	<b>5557-04R2-400</b>	4	94V-0
39-01-4050	5557-05R2	5	94V-2
39-01-4051	5557-05R2-210	5	94V-0
<b>50-30-4447</b>	<b>5557-05R2-400</b>	<b>5</b>	<b>94V-0</b>
39-01-4060	5557-06R2	6	94V-2
39-01-4061	5557-06R2-210	6	94V-0



OPTIONAL ENGINEERING NUMBER LOCATION



LEGEND:



THIS DRAWING CONTAINS INFORMATION THAT IS PROPRIETARY TO MOLEX ELECTRONIC TECHNOLOGIES, LLC AND SHOULD NOT BE USED WITHOUT WRITTEN PERMISSION											
DIMENSION UNITS		SCALE		CURRENT REV DESC:							
INCH		NTS									
GENERAL TOLERANCES (UNLESS SPECIFIED)				EC NO: 719028		2022/08/22		MINI-FIT JR. RECEPTACLE SINGLE ROW PRODUCT CUSTOMER DRAWING			
				DRWN: JERRYW8		2022/09/01					
4 PLACES ±				CHK'D: XQZHANG		2022/09/01		DOCUMENT NUMBER: <b>55570002-SD</b> DOC TYPE: PSD DOC PART: 000 REVISION: <b>A1</b>			
3 PLACES ± ± 0.01				APPR: XQZHANG		2022/09/01					
2 PLACES ± 0.25 ± 0.015				INITIAL REVISION:		2/15/89		MATERIAL NUMBER: SEE CHART CUSTOMER: GENERAL MARKET SHEET NUMBER: 1 OF 1			
1 PLACE ± 0.38 ±				DRWN: KSS		2012/05/04					
0 PLACES ±				APPR: FSMITH							
ANGULAR TOL ± 0.5 °				THIRD ANGLE PROJECTION		DRAWING		SERIES		MATERIAL NUMBER	
DRAFT WHERE APPLICABLE MUST REMAIN WITHIN DIMENSIONS						C-SIZE		5557		SEE CHART	

THIS DRAWING REPLACES DRAWING SD-5557-NR2\*