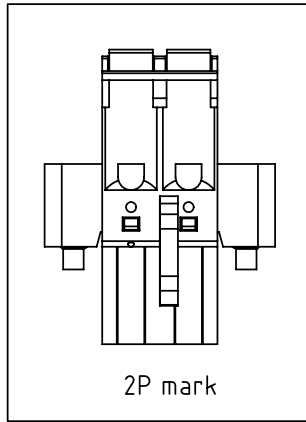


SIGN	DATE	DESCRIPTION	APPROVER
△			
THIS IS CAD DRAWING, DO NOT REVISE MANUALLY!!!			



Dimension

DIM A	$N \times 5.08 + 0.5$
DIM B	$(N-1) \times 5.08$

N=Number of poles

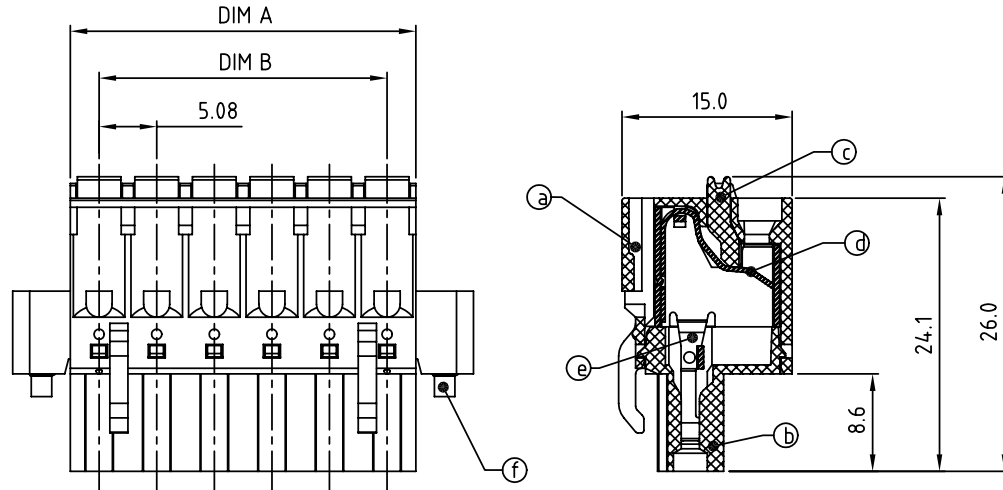
POLES	TOL
2p-6p	$\pm 0.20$
7p-12p	$\pm 0.30$
13p-16p	$\pm 0.40$
17p-24p	$\pm 0.50$

Material

- Item a Terminal body:Thermoplastic ( UL94V-0 )
- Item b Terminal body:Thermoplastic ( UL94V-0 )
- Item c Terminal lever:Thermoplastic ( UL94V-0 )
- Item d Wire guard:Stainless Steel
- Item e Female contact:PhBz ( CuSn ) Tin plated
- Item f Whit flange screw:Steel Zinc plating M2.5 solt "+/-" type

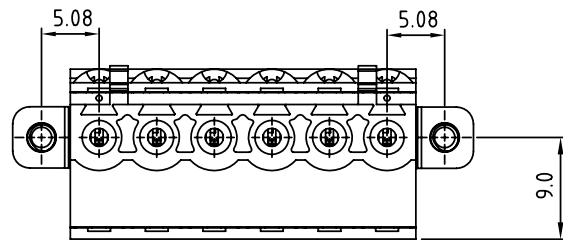
Electrical cULus

- Voltage rating:300V
- Current rating:10A
- Solid wire(AWG):12-26
- Stranded wire(AWG):12-26
- Wire strip length:9-10mm
- Withstanding Voltage:1.6KV
- Operating temperature:-40°C to +115°C



HW xx 50 x 3 xxxx G

02 2 CONTACTS	0 Black	0000 Standard @ Logo	RoHS
03 3 CONTACTS	5 Green	000A Standard ANY Logo	Pb<40,000ppm
... ..	6 Blue	Any special item by customer request,	
24 24 CONTACTS	8 Grey	please contact sales department.	



**ANYTEK**

**CUSTOMER COPY**

ALL RIGHTS RESERVED. REPRODUCTION OR ISSUE TO THIRD PARTIES IN ANY FORM WHATSOEVER IS NOT PERMITTED WITHOUT WRITTEN AUTHORITY FROM THE PROPRIETOR. PROPERTY OF ANYTEK TECHNOLOGY CO., LTD

TITLE		HW 5.08 Series Contact on up side ( W/F )			
PART NO.		HWxx50x3xxxxG		DWG NO. 8HW0202	
APPROVED	CHECKED	DESIGNED	DRAWN	CUST NO.	
		Runner 2010.04.06	Runner 2010.04.06		
				Tolerance	
				UNIT: mm	
				SCALE: NONE	
				X. $\pm 0.50$	
				X.X $\pm 0.30$	
				X.XX $\pm 0.10$	
				X° $\pm 1^\circ$	
				SHEET: 01/01	
				REV.: B	