

4

3

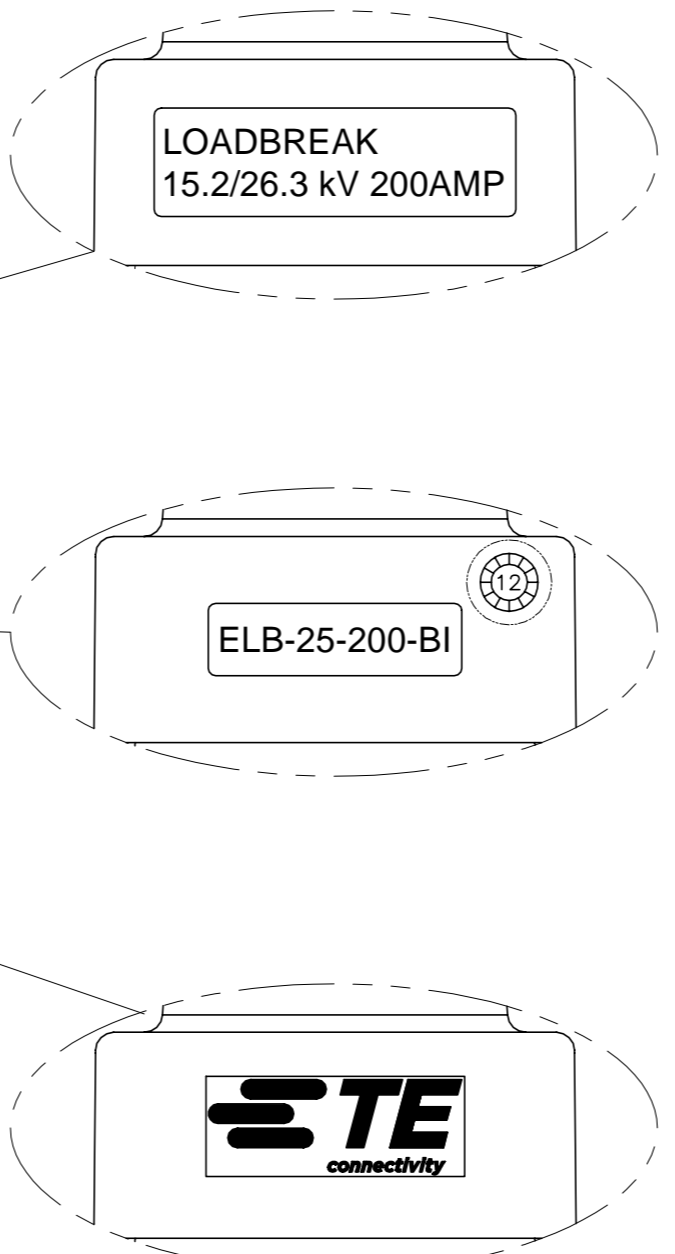
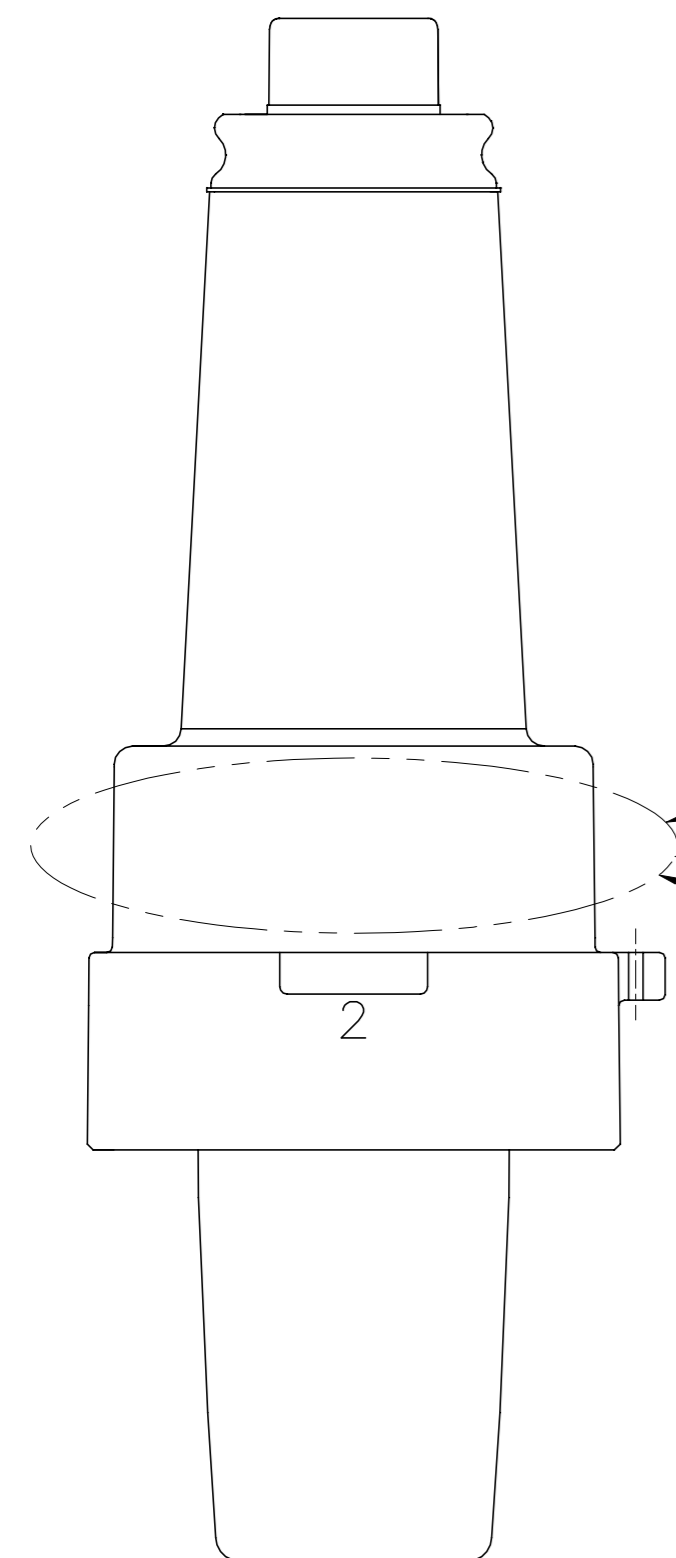
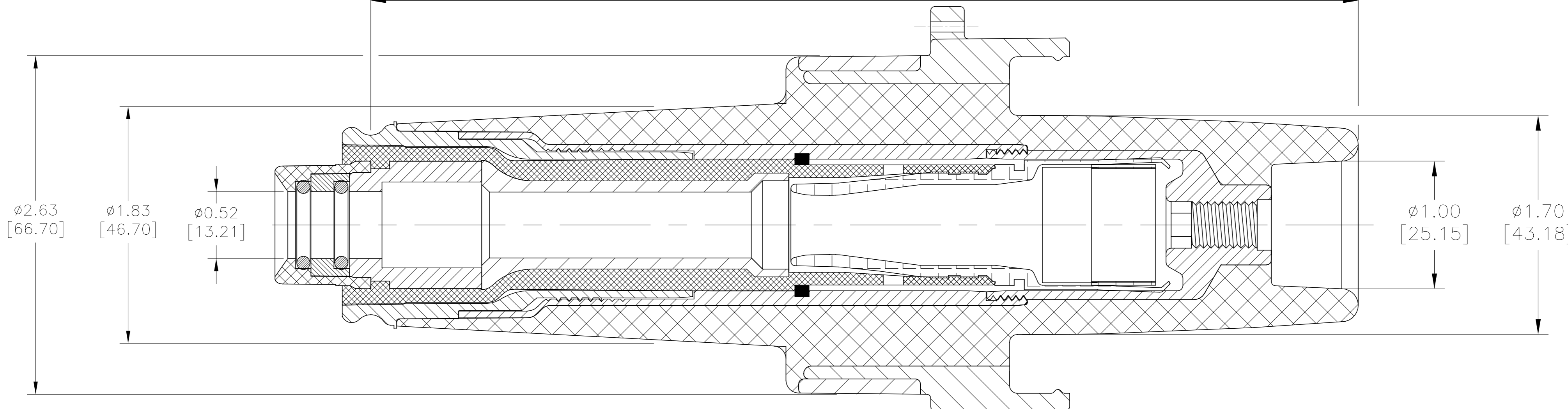
2

1

© 2020 TE Connectivity. All Rights Reserved.	
RPN	DESCRIPTION
EE5632-000	ELB-25-200-BI

REVISIONS					
P	LTR	DESCRIPTION	DATE	DWN	APVD
	B	NEW DRAWING	17JUL2020	KR	EDW

7.64 [194.37] REF



DIMENSIONS:
INCHES [mm]

DWN RAGHAVENDRA K. 17JUL2020	TE TE Connectivity Ltd.		
CHK WILSON, DAVID E. 17JUL2020	NAME 25kV 200A BUSHING INSERT		
APVD YAO, WENTAO 17JUL2020	SIZE A2	CAGE CODE 00779	DRAWING NO C=NC-P5150
PRODUCT SPEC —	RESTRICTED TO —	SCALE NTS	SHEET 1 of 1
APPLICATION SPEC —	CUSTOMER DRAWING	REV B	

NC-P5150