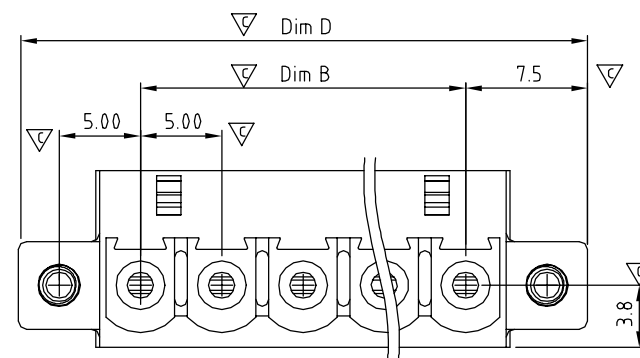
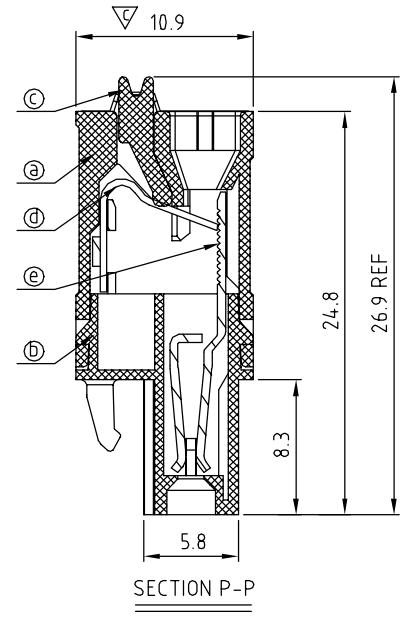
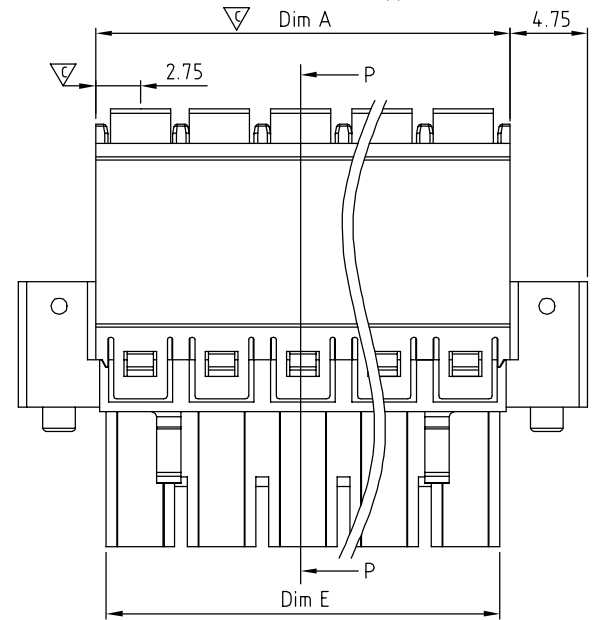
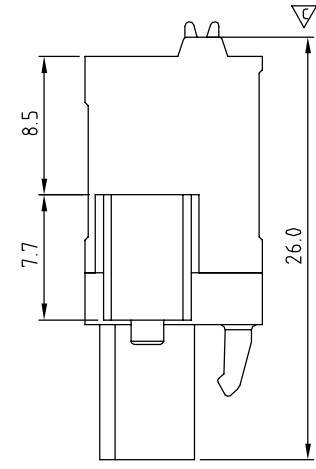
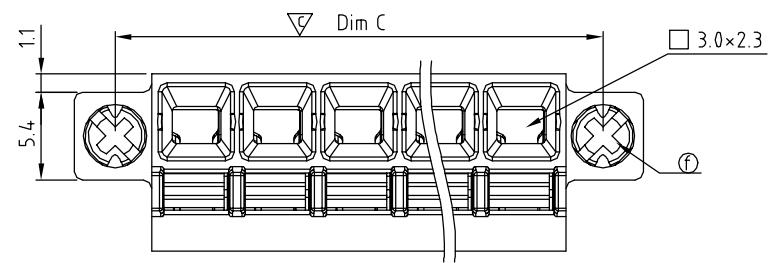
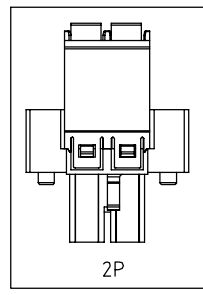


SIGN	DATE	DESCRIPTION	APPROVER
△	06/21'11	Add "cULus" Safety Approval logo <i>THIS IS CAD DRAWING, DO NOT REVISE MANUALLY!!!</i>	Aaron



- Material:
- Item a Terminal(Up housing): Thermoplastic (UL94V-0)
  - Item b Terminal(Down housing): Thermoplastic (UL94V-0)
  - Item c Terminal(Lever): Thermoplastic (UL94V-0)
  - Item d Spring clamp: Stainless steel
  - Item e Female contact: PhBz Tin Plated.
  - Item f With flange screw: Steel Zinc plating M2.5"+/-" slot type

- Electrical: cULus
- Voltage rating: 300 V
  - Current rating: 12 A
  - Wire range:
  - Solid wire(AWG): 14-24
  - Stranded wire(AWG): 14-24
  - Wire strip length: 11-12 mm
  - Withstanding Voltage: 1.6 KV
  - Operating temperature: -40°C to +115°C
  - △ Safety Approval:
  - Critical dimension:

**KD xx 7 0 x 1 xxxx G**

- No. OF POLES
- 02: 2 POLES
  - 03: 3 POLES
  - :
  - 24: 24 POLES
- COLOR
- 0 Black (RAL9005)
  - 2 Red (RAL3001/D)
  - 3 Orange(RAL2011/P)
  - 4 Yellow(RAL1018/A)
  - 5 Green(RAL6018/T)
  - 6 Blue (RAL5015/A)
  - 8 Grey(RAL7035/D)
  - 9 White(RAL1102)
  - C Green(RAL6018/U)
- G: Pb<40000ppm
- 0000: "@ " Logo (Standard)
- 000A: "ANYTEK" Mark
- Any special item by customer request. please contact sales department.

Dimension

DIM A	N×5.0+0.50
DIM B	(N-1)×5.0
DIM C	(N-1)×5.0+10.00
DIM D	(N-1)×5.0+15.0
DIM E	(N-1)×5.0+4.20

N=Number of poles

Tolerance			
2p-6p	7p-12p	13p-18p	19p-24p
±0.15	±0.25	±0.35	±0.40

<b>ANYTEK</b>		<b>CUSTOMER COPY</b>	
TITLE	KD 5.0mm with flange Series (2P-24P)		
PART NO.	KDxx70x1xxxxG	DWG NO.	8KD0103
APPROVED	CHECKED	DESIGNED	DRAWN
		Aaron 2011.06.21	Aaron 2011.06.21
SHEET: 01/01		UNIT: mm	Tolerance
REV.: C		SCALE: NONE	X. ±0.50
			X.X ±0.30
			X.XX ±0.10
			X° ±1°