

# TPS7A3301EVM-061

This User's Guide describes operational use of the TPS7A3301EVM-061 Evaluation Module (EVM) as a reference design for engineering demonstration and evaluation of the TPS7A3301, low-dropout negative-voltage linear regulator (LDO). Included in this user's guide are setup instructions, a schematic diagram, layout and thermal guidelines, a bill of materials, and test results.

## Contents

1	Introduction .....	1
2	Setup .....	2
	2.1 Input/Output Connectors and Jumper Descriptions .....	2
	2.2 Equipment Setup .....	2
3	Operation .....	2
4	Adjustable Operation .....	2
5	Test Results .....	3
	5.1 Turnon Sequence .....	3
	5.2 Output Load Transient .....	4
6	Thermal Guidelines and Layout Recommendations .....	4
7	Board Layout .....	5
8	Schematic and Bill of Materials .....	7

## List of Figures

1	TPS7A3301 LDO Schematic Showing Adjustment Resistors.....	3
2	Turnon Sequence .....	3
3	Load Step and Transient Response .....	4
4	Top Layer Silkscreen .....	5
5	Top Layer Routing .....	6
6	Bottom Layer Routing .....	7
7	TPS7A3301EVM-061 Schematic .....	7

## List of Tables

1	TPS7A3301EVM-061 Bill of Materials .....	8
---	--	---

## 1 Introduction

The Texas Instruments TPS7A3301EVM-061 EVM helps design engineers to evaluate the operation and performance of the TPS7A33xx family of linear regulators for possible use in their own circuit applications. This particular EVM is preconfigured to output  $-15\text{ V}$  and contains a single linear regulator (LDO) with internal current limit and thermal shutdown protection. The TPS7A33xx family of low-dropout regulators allows input voltages from  $-3\text{ V}$  to  $-36\text{ V}$  and can be adjusted to any output voltage between  $-1.2\text{ V}$  and  $-20\text{ V}$  by only changing a resistor value in accord with the given equation. The regulator, including external components, is capable of delivering up to  $1\text{ A}$  to the load depending on the input-output power dissipation across the part. The TPS7A33xx has been optimized for ac performance, including PSRR and load transient response, using capacitors rated over the full voltage range of the regulator. The TPS7A33xx family is available in a TO220-7 KVT bent-lead package.

## 2 Setup

This section describes the jumpers and connectors on the EVM as well as how to properly connect, set up, and use the TPS7A3301EVM.

### 2.1 Input/Output Connectors and Jumper Descriptions

#### 2.1.1 J1 — (-)Vin

Negative input power supply voltage connector. The negative input lead and ground return lead from the input power supply should be twisted and kept as short as possible to minimize EMI transmission. Additional bulk capacitance should be added between J1 and J3 if the supply leads are greater than six inches. For example, an additional 47- $\mu$ F electrolytic capacitor connected from J1 to ground can improve the transient response of the TPS7A3301 while eliminating unwanted ringing on the input due to long wire connections. A (+) power supply may be used if the (+) lead is connected to J2 (GND) and the GND lead is connected to J1 (-VIN).

#### 2.1.2 J2 — GND

Ground-return connector for the input power supply

#### 2.1.3 J3 — (-)Vout

Regulated (-) output voltage connector

#### 2.1.4 J4 — GND

Output ground-return connector

#### 2.1.5 JP1 — EN

Output enable. To enable the output, connect a jumper to short the ON pin 1 to the EN center pin 2. To disable the output, connect a jumper to short EN pin 2 to OFF pin 3.

### 2.2 Equipment Setup

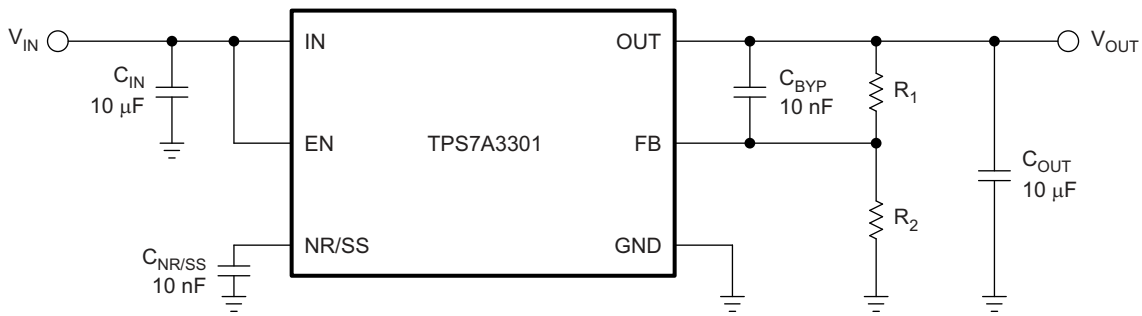
- Turn off the input power supply after verifying that its output voltage is set to greater than -15 V (-18 V recommended; -36 V maximum). Connect the negative voltage lead from the input power supply to -VIN, at the J1 connector of the EVM. Connect the ground lead from the input power supply to GND at the J2 connector of the EVM. If using a (+) power supply, connect the (+) lead to J2 (GND) and the GND lead to J1 (-VIN).
- Connect desired ( $\leq 1$  A) load between the -VOUT pin at connector J3, and the GND pin at connector J4. Be careful to calculate the power dissipation across the part for the desired -VIN level.

## 3 Operation

- Turn on the input power supply. For initial operation, it is recommended that the input power supply, -VIN on J1, be set to -18 V.
- Vary the load and -VIN voltage as necessary for test purposes.

## 4 Adjustable Operation

The nominal output voltage for the typical LDO circuit employing the TPS7A3301 is set by two external resistors, R1 and R2, as illustrated in [Figure 1](#). R1 and R2 can be calculated for any output voltage using [Equation 1](#) and the Vref voltage found in the device data sheet under the Electrical Characteristics.



B0478-01

**Figure 1. TPS7A3301 LDO Schematic Showing Adjustment Resistors**

$$R_2 = R_1 \div ((V_{OUT}/V_{FB}) - 1), \text{ where } V_{OUT} / (R_1 + R_2) \geq 5 \mu\text{A} \quad (1)$$

Once the resistor values have been calculated, the new resistors can be installed appropriately in the correct place using the PCB and schematic diagrams of [Figure 4 5](#) through [Figure 7](#).

Suggestion: When recalculating the resistor values for a particular desired output voltage, change only the R2 value in order to maintain the frequency-domain zero formed by R1 and CBYP in accord with [Equation 2](#).

$$F_Z = 1 / (2 \times \pi \times R_1 \times C_{BYP}) \quad (2)$$

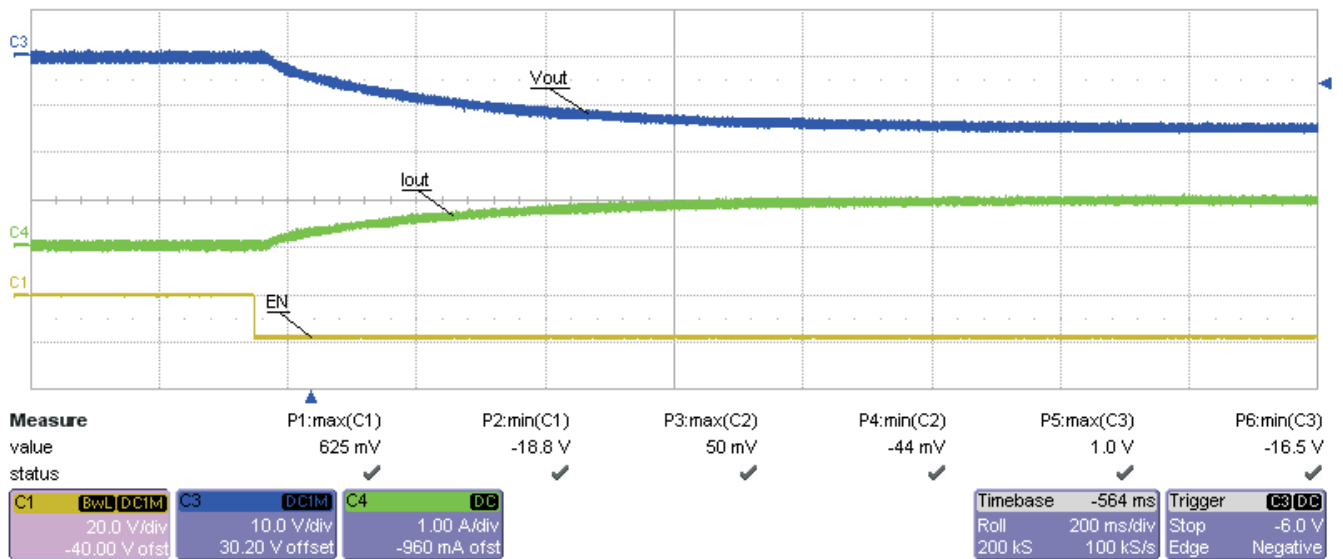
For additional information on adjustable operation, see the TPS7A3301 data sheet ([SBVS169](#)).

## 5 Test Results

This section provides typical performance waveforms for the TPS7A3301EVM-061 printed circuit board.

### 5.1 Turnon Sequence

[Figure 2](#) shows the hard turnon characteristic where  $-V_{IN}$  is  $-18\text{ V}$ , EN (C1, yellow) is switched on to  $-18\text{ V}$  and the output drives a 1-A load (C4, green). The output (C3, blue) shows a fairly monotonic rise time of approximately 800 ms.



c001

**Figure 2. Turnon Sequence**

## 5.2 Output Load Transient

Figure 3 shows the load transient response ( $V_{out}$  - C1, yellow) for a full-load step transient from 100 mA to 1 A (C3, blue). This test was run with the EVM set up for  $-5\text{V}$   $-V_{OUT}$  and  $-V_{IN}$  was set at  $-8\text{V}$ .

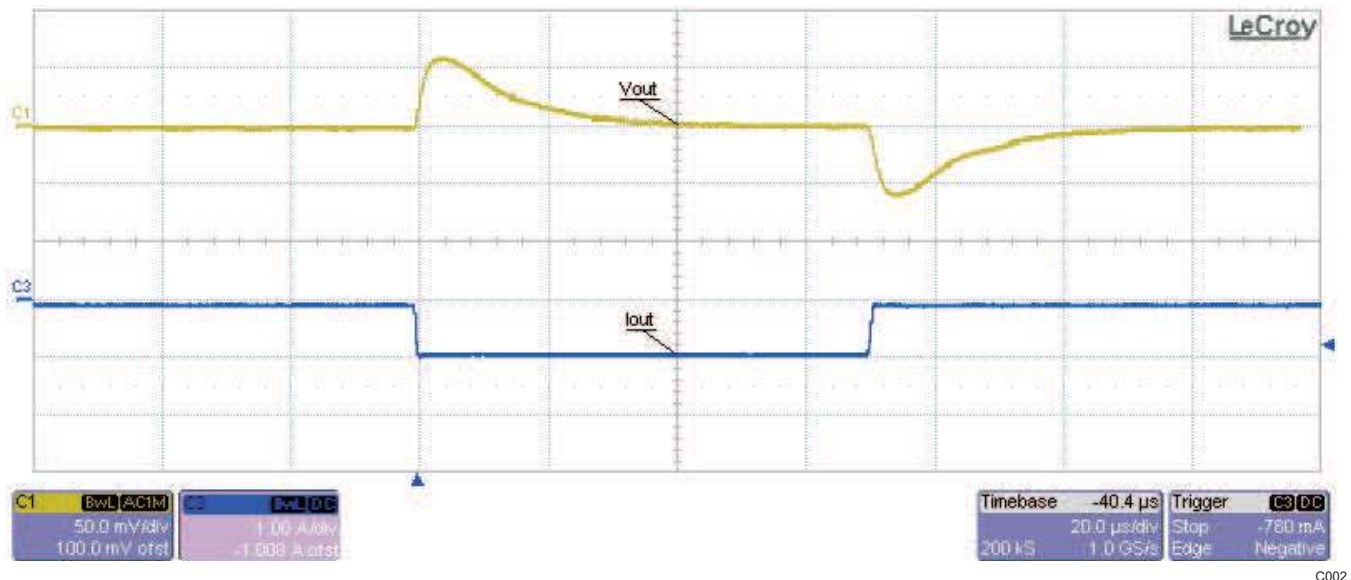


Figure 3. Load Step and Transient Response

## 6 Thermal Guidelines and Layout Recommendations

Thermal management is a key component of the design of any power converter and is especially important when the power dissipation in the LDO is high. Use the following formula to approximate the maximum power dissipation for the particular ambient temperature:

$$T_J = T_A + P_D \times \theta_{JA} \quad (3)$$

where  $T_J$  is the junction temperature,  $T_A$  is the ambient temperature,  $P_D$  is the power dissipation in the device (watts), and  $\theta_{JA}$  is the thermal resistance from junction to ambient. All temperatures are in degrees Celsius. The maximum silicon junction temperature,  $T_J$ , must not be allowed to exceed  $150^\circ\text{C}$ . The layout design must use copper trace and plane areas smartly, as thermal sinks, in order not to allow  $T_J$  to exceed the absolute maximum rating under all temperature conditions and voltage conditions across the part. The designer must consider carefully the thermal design of the PCB for optimal performance over temperature. The actual allowable power dissipation on a PCB is a strong function of its layout.

Heat flows from the device to the ambient air through many paths, each of which represents resistance to the heat flow; this resistance is called thermal resistance.

The total thermal resistance of a system is defined by Equation 4:

$$\theta_{JA} = \frac{(T_J - T_A)}{P_D} \quad (4)$$

where  $\theta_{JA}$  is the thermal resistance (in  $^\circ\text{C}/\text{W}$ ),  $T_J$  is the allowable junction temperature of the device (in  $^\circ\text{C}$ ),  $T_A$  is the maximum temperature of the ambient cooling air (in  $^\circ\text{C}$ ), and  $P_D$  is the amount of power (heat) generated by the device (in W).

Whenever a heatsink is installed, the total thermal resistance ( $\theta_{JA}$ ) is the sum of all the individual resistances from the device, going through its case and heatsink to the ambient cooling air.

$$\theta_{JA} = \theta_{JC} + \theta_{CS} + \theta_{SA} \quad (5)$$

Realistically, the user can only control two resistances,  $\theta_{CS}$  and  $\theta_{SA}$ . Therefore, for a device with a known  $\theta_{JC}$ ,  $\theta_{CS}$  and  $\theta_{SA}$  become the main design variables in selecting a heat sink.

The thermal interface between the case and the heat sink,  $\theta_{CS}$ , is controlled by selecting the right heat conducting material. Once the  $\theta_{CS}$  is selected, the required thermal resistance from the heatsink to ambient is calculated by Equation 6:

$$\theta_{SA} \left[ \frac{(T_J - T_A)}{P_D} \right] - (\theta_{JC} + \theta_{CS}) \tag{6}$$

This information allows the user to select the most appropriate heatsink for any particular application.

The heat sink chosen for the TPS7A3301EVM-061 (507302B00000G from Aavid) has a specified thermal resistance ( $\theta_{SA}$ ) of 24°C/W. There is also an option of using the two large mounting holes (13 and 14 – see Figure 4) to mount a heat sink with a smaller thermal resistance. The mounting holes are sized for the use of any heat sink with solderable mounting tab spacing of 1 inch (25.4 mm). The 5310 series from Aavid is one example and has a specified thermal resistance ( $\theta_{SA}$ ) of 13.4°C/W.

## 7 Board Layout

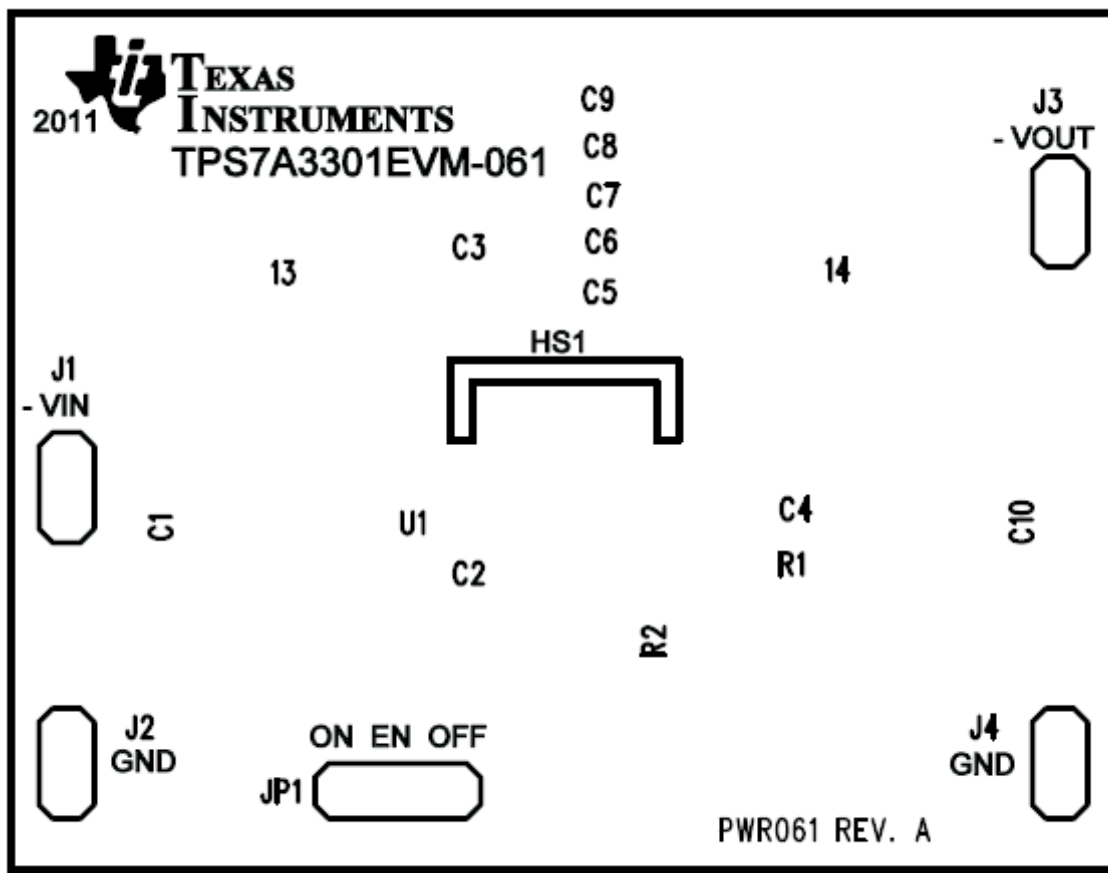
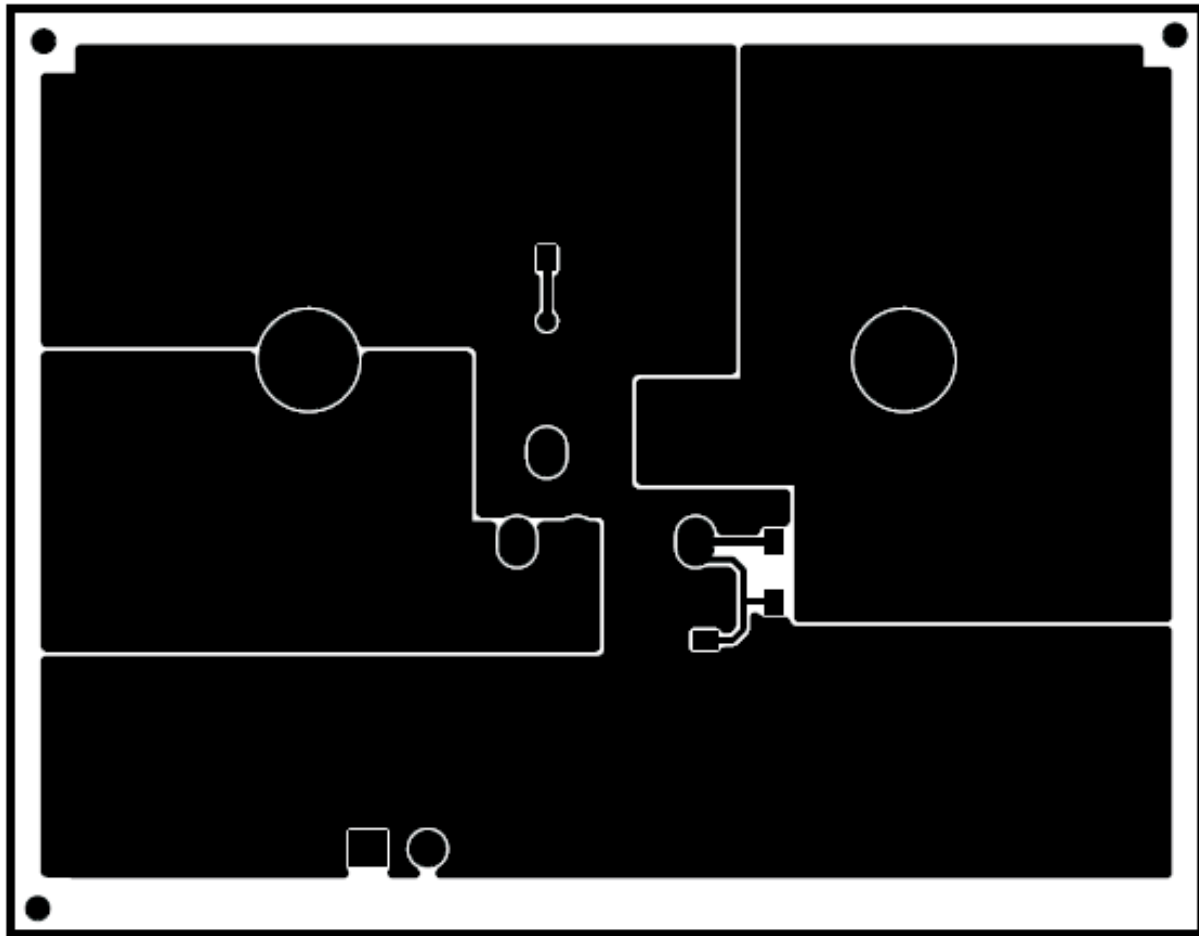


Figure 4. Top Layer Silkscreen



K002

Figure 5. Top Layer Routing

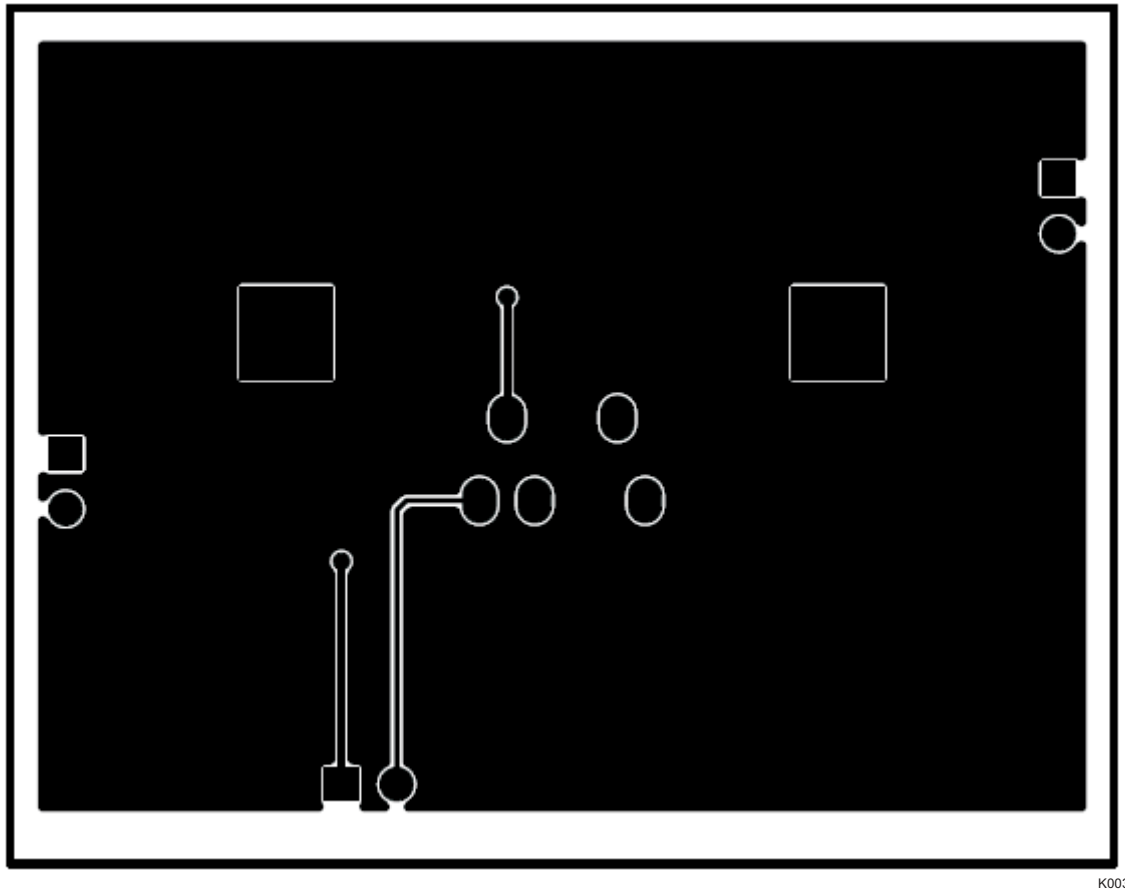


Figure 6. Bottom Layer Routing

## 8 Schematic and Bill of Materials

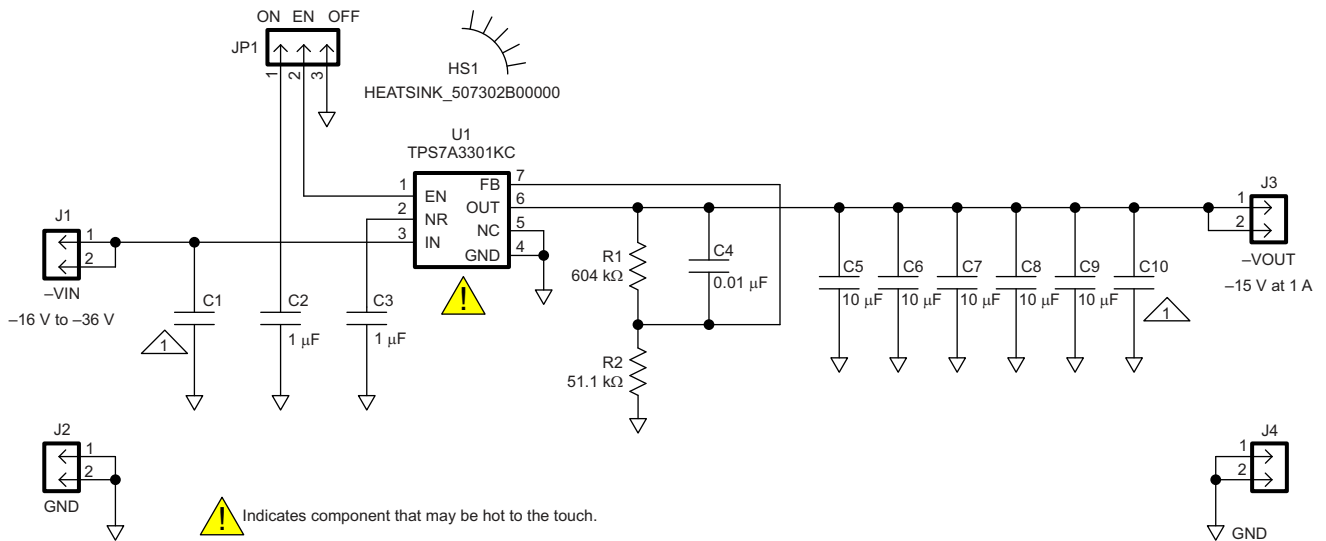


Figure 7. TPS7A3301EVM-061 Schematic

**Table 1. TPS7A3301EVM-061 Bill of Materials**

RefDes	COUNT	Value	Description	Size	Part Number	MFR
C1	0	47 $\mu$ F	Capacitor, ceramic, 50 V, X5R, 10%	2220	STD	STD
C2	1	1 $\mu$ F	Capacitor, ceramic, 50 V, X5R, 10%	0805	STD	STD
C3	1	1 $\mu$ F	Capacitor, ceramic, 50 V, X5R, 10%	0603	STD	STD
C4	1	0.01 $\mu$ F	Capacitor, ceramic, 25 V, X5R, 10%	0603	STD	STD
C5–C9	5	10 $\mu$ F	Capacitor, ceramic, 25 V, X5R, 10%	0805	STD	STD
C10	0	47 $\mu$ F	Capacitor, ceramic, 16 V, X5R, 10%	2220	STD	STD
HS1	1	13.4°C/W	Heatsink, TO-220, vertical-mount	1 inch $\times$ 1.375 inch (2.54 cm $\times$ 2.49 cm)	507302B00000G	Aavid
J1–J4	4	PEC02SAAN	Header, male 2-pin, 100-mil (2.54-mm) spacing	0.1 inch (2.54 mm) $\times$ 2	PEC02SAAN	Sullins
JP1	1	PEC03SAAN	Header, male 3-pin, 100-mil (2.54-mm) spacing	0.1 inch (2.54 mm) $\times$ 3	PEC03SAAN	Sullins
R1	1	604 k $\Omega$	Resistor, chip, 1/16W, 1%	0603	STD	STD
R2	1	51.1 k $\Omega$	Resistor, chip, 1/16W, 1%	0603	STD	STD
U1	1	TPS7A3301KC	IC, –36-V, –1-A, ultralow-noise negative linear regulator	TO-220	TPS7A3301KC	TI
–	1	–	Shunt, black	100 mil (2.54 cm)	929950-00	3M
–	1	–	Screw, hex mach. 4-40 $\times$ 1/2 S/S	4-40 $\times$ 1/2 S/S	HMSSS 440 0050	STD
–	1	–	Hdwr. mtg. nut, 0.062-inch $\times$ 0.184-inch (1.59-mm $\times$ 4.67-mm)	0.062 inch $\times$ 0.184 inch (1.59 mm $\times$ 4.67 mm)	7248-3	STD
–	1	PCB	PCB, 1.555-inch $\times$ 2-inch $\times$ 0.062-inch (3.95-cm $\times$ 5.08-cm $\times$ 1.59-mm)	1.5 inch $\times$ 2 inch $\times$ 0.062-inch (3.81 cm $\times$ 5.08 cm $\times$ 1.59 mm)	PWR061	Any



## Evaluation Board/Kit Important Notice

Texas Instruments (TI) provides the enclosed product(s) under the following conditions:

This evaluation board/kit is intended for use for **ENGINEERING DEVELOPMENT, DEMONSTRATION, OR EVALUATION PURPOSES ONLY** and is not considered by TI to be a finished end-product fit for general consumer use. Persons handling the product(s) must have electronics training and observe good engineering practice standards. As such, the goods being provided are not intended to be complete in terms of required design-, marketing-, and/or manufacturing-related protective considerations, including product safety and environmental measures typically found in end products that incorporate such semiconductor components or circuit boards. This evaluation board/kit does not fall within the scope of the European Union directives regarding electromagnetic compatibility, restricted substances (RoHS), recycling (WEEE), FCC, CE or UL, and therefore may not meet the technical requirements of these directives or other related directives.

Should this evaluation board/kit not meet the specifications indicated in the User's Guide, the board/kit may be returned within 30 days from the date of delivery for a full refund. **THE FOREGOING WARRANTY IS THE EXCLUSIVE WARRANTY MADE BY SELLER TO BUYER AND IS IN LIEU OF ALL OTHER WARRANTIES, EXPRESSED, IMPLIED, OR STATUTORY, INCLUDING ANY WARRANTY OF MERCHANTABILITY OR FITNESS FOR ANY PARTICULAR PURPOSE.**

The user assumes all responsibility and liability for proper and safe handling of the goods. Further, the user indemnifies TI from all claims arising from the handling or use of the goods. Due to the open construction of the product, it is the user's responsibility to take any and all appropriate precautions with regard to electrostatic discharge.

**EXCEPT TO THE EXTENT OF THE INDEMNITY SET FORTH ABOVE, NEITHER PARTY SHALL BE LIABLE TO THE OTHER FOR ANY INDIRECT, SPECIAL, INCIDENTAL, OR CONSEQUENTIAL DAMAGES.**

TI currently deals with a variety of customers for products, and therefore our arrangement with the user **is not exclusive.**

TI assumes **no liability for applications assistance, customer product design, software performance, or infringement of patents or services described herein.**

Please read the User's Guide and, specifically, the Warnings and Restrictions notice in the User's Guide prior to handling the product. This notice contains important safety information about temperatures and voltages. For additional information on TI's environmental and/or safety programs, please contact the TI application engineer or visit [www.ti.com/esh](http://www.ti.com/esh).

No license is granted under any patent right or other intellectual property right of TI covering or relating to any machine, process, or combination in which such TI products or services might be or are used.

## FCC Warning

This evaluation board/kit is intended for use for **ENGINEERING DEVELOPMENT, DEMONSTRATION, OR EVALUATION PURPOSES ONLY** and is not considered by TI to be a finished end-product fit for general consumer use. It generates, uses, and can radiate radio frequency energy and has not been tested for compliance with the limits of computing devices pursuant to part 15 of FCC rules, which are designed to provide reasonable protection against radio frequency interference. Operation of this equipment in other environments may cause interference with radio communications, in which case the user at his own expense will be required to take whatever measures may be required to correct this interference.

## EVM Warnings and Restrictions

It is important to operate this EVM within the input voltage range of  $-3\text{ V}$  to  $-36\text{ V}$  and the output voltage range of  $-1.2\text{ V}$  to  $-20\text{ V}$ .

Exceeding the specified input range may cause unexpected operation and/or irreversible damage to the EVM. If there are questions concerning the input range, please contact a TI field representative prior to connecting the input power.

Applying loads outside of the specified output range may result in unintended operation and/or possible permanent damage to the EVM. Please consult the EVM User's Guide prior to connecting any load to the EVM output. If there is uncertainty as to the load specification, please contact a TI field representative.

During normal operation, some circuit components may have case temperatures greater than  $100\text{ }^{\circ}\text{C}$ . The EVM is designed to operate properly with certain components above  $100\text{ }^{\circ}\text{C}$  as long as the input and output ranges are maintained. These components include but are not limited to linear regulators, switching transistors, pass transistors, and current sense resistors. These types of devices can be identified using the EVM schematic located in the EVM User's Guide. When placing measurement probes near these devices during operation, please be aware that these devices may be very warm to the touch.

Mailing Address: Texas Instruments, Post Office Box 655303, Dallas, Texas 75265  
Copyright © 2011, Texas Instruments Incorporated

## EVALUATION BOARD/KIT/MODULE (EVM) ADDITIONAL TERMS

Texas Instruments (TI) provides the enclosed Evaluation Board/Kit/Module (EVM) under the following conditions:

The user assumes all responsibility and liability for proper and safe handling of the goods. Further, the user indemnifies TI from all claims arising from the handling or use of the goods.

Should this evaluation board/kit not meet the specifications indicated in the User's Guide, the board/kit may be returned within 30 days from the date of delivery for a full refund. THE FOREGOING LIMITED WARRANTY IS THE EXCLUSIVE WARRANTY MADE BY SELLER TO BUYER AND IS IN LIEU OF ALL OTHER WARRANTIES, EXPRESSED, IMPLIED, OR STATUTORY, INCLUDING ANY WARRANTY OF MERCHANTABILITY OR FITNESS FOR ANY PARTICULAR PURPOSE. EXCEPT TO THE EXTENT OF THE INDEMNITY SET FORTH ABOVE, NEITHER PARTY SHALL BE LIABLE TO THE OTHER FOR ANY INDIRECT, SPECIAL, INCIDENTAL, OR CONSEQUENTIAL DAMAGES.

Please read the User's Guide and, specifically, the Warnings and Restrictions notice in the User's Guide prior to handling the product. This notice contains important safety information about temperatures and voltages. For additional information on TI's environmental and/or safety programs, please visit [www.ti.com/esh](http://www.ti.com/esh) or contact TI.

No license is granted under any patent right or other intellectual property right of TI covering or relating to any machine, process, or combination in which such TI products or services might be or are used. TI currently deals with a variety of customers for products, and therefore our arrangement with the user is not exclusive. TI assumes no liability for applications assistance, customer product design, software performance, or infringement of patents or services described herein.

## REGULATORY COMPLIANCE INFORMATION

As noted in the EVM User's Guide and/or EVM itself, this EVM and/or accompanying hardware may or may not be subject to the Federal Communications Commission (FCC) and Industry Canada (IC) rules.

For EVMs **not** subject to the above rules, this evaluation board/kit/module is intended for use for ENGINEERING DEVELOPMENT, DEMONSTRATION OR EVALUATION PURPOSES ONLY and is not considered by TI to be a finished end product fit for general consumer use. It generates, uses, and can radiate radio frequency energy and has not been tested for compliance with the limits of computing devices pursuant to part 15 of FCC or ICES-003 rules, which are designed to provide reasonable protection against radio frequency interference. Operation of the equipment may cause interference with radio communications, in which case the user at his own expense will be required to take whatever measures may be required to correct this interference.

### General Statement for EVMs including a radio

*User Power/Frequency Use Obligations:* This radio is intended for development/professional use only in legally allocated frequency and power limits. Any use of radio frequencies and/or power availability of this EVM and its development application(s) must comply with local laws governing radio spectrum allocation and power limits for this evaluation module. It is the user's sole responsibility to only operate this radio in legally acceptable frequency space and within legally mandated power limitations. Any exceptions to this are strictly prohibited and unauthorized by Texas Instruments unless user has obtained appropriate experimental/development licenses from local regulatory authorities, which is responsibility of user including its acceptable authorization.

### For EVMs annotated as FCC – FEDERAL COMMUNICATIONS COMMISSION Part 15 Compliant

#### Caution

This device complies with part 15 of the FCC Rules. Operation is subject to the following two conditions: (1) This device may not cause harmful interference, and (2) this device must accept any interference received, including interference that may cause undesired operation.

Changes or modifications not expressly approved by the party responsible for compliance could void the user's authority to operate the equipment.

### FCC Interference Statement for Class A EVM devices

This equipment has been tested and found to comply with the limits for a Class A digital device, pursuant to part 15 of the FCC Rules. These limits are designed to provide reasonable protection against harmful interference when the equipment is operated in a commercial environment. This equipment generates, uses, and can radiate radio frequency energy and, if not installed and used in accordance with the instruction manual, may cause harmful interference to radio communications. Operation of this equipment in a residential area is likely to cause harmful interference in which case the user will be required to correct the interference at his own expense.

### **FCC Interference Statement for Class B EVM devices**

This equipment has been tested and found to comply with the limits for a Class B digital device, pursuant to part 15 of the FCC Rules. These limits are designed to provide reasonable protection against harmful interference in a residential installation. This equipment generates, uses and can radiate radio frequency energy and, if not installed and used in accordance with the instructions, may cause harmful interference to radio communications. However, there is no guarantee that interference will not occur in a particular installation. If this equipment does cause harmful interference to radio or television reception, which can be determined by turning the equipment off and on, the user is encouraged to try to correct the interference by one or more of the following measures:

- Reorient or relocate the receiving antenna.
- Increase the separation between the equipment and receiver.
- Connect the equipment into an outlet on a circuit different from that to which the receiver is connected.
- Consult the dealer or an experienced radio/TV technician for help.

### **For EVMs annotated as IC – INDUSTRY CANADA Compliant**

This Class A or B digital apparatus complies with Canadian ICES-003.

Changes or modifications not expressly approved by the party responsible for compliance could void the user's authority to operate the equipment.

### **Concerning EVMs including radio transmitters**

This device complies with Industry Canada licence-exempt RSS standard(s). Operation is subject to the following two conditions: (1) this device may not cause interference, and (2) this device must accept any interference, including interference that may cause undesired operation of the device.

### **Concerning EVMs including detachable antennas**

Under Industry Canada regulations, this radio transmitter may only operate using an antenna of a type and maximum (or lesser) gain approved for the transmitter by Industry Canada. To reduce potential radio interference to other users, the antenna type and its gain should be so chosen that the equivalent isotropically radiated power (e.i.r.p.) is not more than that necessary for successful communication.

This radio transmitter has been approved by Industry Canada to operate with the antenna types listed in the user guide with the maximum permissible gain and required antenna impedance for each antenna type indicated. Antenna types not included in this list, having a gain greater than the maximum gain indicated for that type, are strictly prohibited for use with this device.

Cet appareil numérique de la classe A ou B est conforme à la norme NMB-003 du Canada.

Les changements ou les modifications pas expressément approuvés par la partie responsable de la conformité ont pu vider l'autorité de l'utilisateur pour actionner l'équipement.

### **Concernant les EVMs avec appareils radio**

Le présent appareil est conforme aux CNR d'Industrie Canada applicables aux appareils radio exempts de licence. L'exploitation est autorisée aux deux conditions suivantes : (1) l'appareil ne doit pas produire de brouillage, et (2) l'utilisateur de l'appareil doit accepter tout brouillage radioélectrique subi, même si le brouillage est susceptible d'en compromettre le fonctionnement.

### **Concernant les EVMs avec antennes détachables**

Conformément à la réglementation d'Industrie Canada, le présent émetteur radio peut fonctionner avec une antenne d'un type et d'un gain maximal (ou inférieur) approuvé pour l'émetteur par Industrie Canada. Dans le but de réduire les risques de brouillage radioélectrique à l'intention des autres utilisateurs, il faut choisir le type d'antenne et son gain de sorte que la puissance isotrope rayonnée équivalente (p.i.r.e.) ne dépasse pas l'intensité nécessaire à l'établissement d'une communication satisfaisante.

Le présent émetteur radio a été approuvé par Industrie Canada pour fonctionner avec les types d'antenne énumérés dans le manuel d'usage et ayant un gain admissible maximal et l'impédance requise pour chaque type d'antenne. Les types d'antenne non inclus dans cette liste, ou dont le gain est supérieur au gain maximal indiqué, sont strictement interdits pour l'exploitation de l'émetteur.

## **【Important Notice for Users of this Product in Japan】**

**This development kit is NOT certified as Confirming to Technical Regulations of Radio Law of Japan**

If you use this product in Japan, you are required by Radio Law of Japan to follow the instructions below with respect to this product:

1. Use this product in a shielded room or any other test facility as defined in the notification #173 issued by Ministry of Internal Affairs and Communications on March 28, 2006, based on Sub-section 1.1 of Article 6 of the Ministry's Rule for Enforcement of Radio Law of Japan,
2. Use this product only after you obtained the license of Test Radio Station as provided in Radio Law of Japan with respect to this product, or
3. Use of this product only after you obtained the Technical Regulations Conformity Certification as provided in Radio Law of Japan with respect to this product. Also, please do not transfer this product, unless you give the same notice above to the transferee. Please note that if you could not follow the instructions above, you will be subject to penalties of Radio Law of Japan.

**Texas Instruments Japan Limited**  
**(address) 24-1, Nishi-Shinjuku 6 chome, Shinjuku-ku, Tokyo, Japan**

<http://www.tij.co.jp>

### **【ご使用にあたっての注】**

本開発キットは技術基準適合証明を受けておりません。

本製品のご使用に際しては、電波法遵守のため、以下のいずれかの措置を取っていただく必要がありますのでご注意ください。

1. 電波法施行規則第6条第1項第1号に基づく平成18年3月28日総務省告示第173号で定められた電波暗室等の試験設備でご使用いただく。
2. 実験局の免許を取得後ご使用いただく。
3. 技術基準適合証明を取得後ご使用いただく。

なお、本製品は、上記の「ご使用にあたっての注意」を譲渡先、移転先に通知しない限り、譲渡、移転できないものとします。

上記を遵守頂けない場合は、電波法の罰則が適用される可能性があることをご留意ください。

日本テキサス・インスツルメンツ株式会社  
東京都新宿区西新宿6丁目24番1号  
西新宿三井ビル

<http://www.tij.co.jp>

## EVALUATION BOARD/KIT/MODULE (EVM) WARNINGS, RESTRICTIONS AND DISCLAIMERS

**For Feasibility Evaluation Only, in Laboratory/Development Environments.** Unless otherwise indicated, this EVM is not a finished electrical equipment and not intended for consumer use. It is intended solely for use for preliminary feasibility evaluation in laboratory/development environments by technically qualified electronics experts who are familiar with the dangers and application risks associated with handling electrical mechanical components, systems and subsystems. It should not be used as all or part of a finished end product.

Your Sole Responsibility and Risk. You acknowledge, represent and agree that:

1. You have unique knowledge concerning Federal, State and local regulatory requirements (including but not limited to Food and Drug Administration regulations, if applicable) which relate to your products and which relate to your use (and/or that of your employees, affiliates, contractors or designees) of the EVM for evaluation, testing and other purposes.
2. You have full and exclusive responsibility to assure the safety and compliance of your products with all such laws and other applicable regulatory requirements, and also to assure the safety of any activities to be conducted by you and/or your employees, affiliates, contractors or designees, using the EVM. Further, you are responsible to assure that any interfaces (electronic and/or mechanical) between the EVM and any human body are designed with suitable isolation and means to safely limit accessible leakage currents to minimize the risk of electrical shock hazard.
3. You will employ reasonable safeguards to ensure that your use of the EVM will not result in any property damage, injury or death, even if the EVM should fail to perform as described or expected.
4. You will take care of proper disposal and recycling of the EVM's electronic components and packing materials.

**Certain Instructions.** It is important to operate this EVM within TI's recommended specifications and environmental considerations per the user guidelines. Exceeding the specified EVM ratings (including but not limited to input and output voltage, current, power, and environmental ranges) may cause property damage, personal injury or death. If there are questions concerning these ratings please contact a TI field representative prior to connecting interface electronics including input power and intended loads. Any loads applied outside of the specified output range may result in unintended and/or inaccurate operation and/or possible permanent damage to the EVM and/or interface electronics. Please consult the EVM User's Guide prior to connecting any load to the EVM output. If there is uncertainty as to the load specification, please contact a TI field representative. During normal operation, some circuit components may have case temperatures greater than 60°C as long as the input and output are maintained at a normal ambient operating temperature. These components include but are not limited to linear regulators, switching transistors, pass transistors, and current sense resistors which can be identified using the EVM schematic located in the EVM User's Guide. When placing measurement probes near these devices during normal operation, please be aware that these devices may be very warm to the touch. As with all electronic evaluation tools, only qualified personnel knowledgeable in electronic measurement and diagnostics normally found in development environments should use these EVMs.

**Agreement to Defend, Indemnify and Hold Harmless.** You agree to defend, indemnify and hold TI, its licensors and their representatives harmless from and against any and all claims, damages, losses, expenses, costs and liabilities (collectively, "Claims") arising out of or in connection with any use of the EVM that is not in accordance with the terms of the agreement. This obligation shall apply whether Claims arise under law of tort or contract or any other legal theory, and even if the EVM fails to perform as described or expected.

**Safety-Critical or Life-Critical Applications.** If you intend to evaluate the components for possible use in safety critical applications (such as life support) where a failure of the TI product would reasonably be expected to cause severe personal injury or death, such as devices which are classified as FDA Class III or similar classification, then you must specifically notify TI of such intent and enter into a separate Assurance and Indemnity Agreement.

Mailing Address: Texas Instruments, Post Office Box 655303, Dallas, Texas 75265  
Copyright © 2012, Texas Instruments Incorporated

## IMPORTANT NOTICE

Texas Instruments Incorporated and its subsidiaries (TI) reserve the right to make corrections, enhancements, improvements and other changes to its semiconductor products and services per JESD46, latest issue, and to discontinue any product or service per JESD48, latest issue. Buyers should obtain the latest relevant information before placing orders and should verify that such information is current and complete. All semiconductor products (also referred to herein as "components") are sold subject to TI's terms and conditions of sale supplied at the time of order acknowledgment.

TI warrants performance of its components to the specifications applicable at the time of sale, in accordance with the warranty in TI's terms and conditions of sale of semiconductor products. Testing and other quality control techniques are used to the extent TI deems necessary to support this warranty. Except where mandated by applicable law, testing of all parameters of each component is not necessarily performed.

TI assumes no liability for applications assistance or the design of Buyers' products. Buyers are responsible for their products and applications using TI components. To minimize the risks associated with Buyers' products and applications, Buyers should provide adequate design and operating safeguards.

TI does not warrant or represent that any license, either express or implied, is granted under any patent right, copyright, mask work right, or other intellectual property right relating to any combination, machine, or process in which TI components or services are used. Information published by TI regarding third-party products or services does not constitute a license to use such products or services or a warranty or endorsement thereof. Use of such information may require a license from a third party under the patents or other intellectual property of the third party, or a license from TI under the patents or other intellectual property of TI.

Reproduction of significant portions of TI information in TI data books or data sheets is permissible only if reproduction is without alteration and is accompanied by all associated warranties, conditions, limitations, and notices. TI is not responsible or liable for such altered documentation. Information of third parties may be subject to additional restrictions.

Resale of TI components or services with statements different from or beyond the parameters stated by TI for that component or service voids all express and any implied warranties for the associated TI component or service and is an unfair and deceptive business practice. TI is not responsible or liable for any such statements.

Buyer acknowledges and agrees that it is solely responsible for compliance with all legal, regulatory and safety-related requirements concerning its products, and any use of TI components in its applications, notwithstanding any applications-related information or support that may be provided by TI. Buyer represents and agrees that it has all the necessary expertise to create and implement safeguards which anticipate dangerous consequences of failures, monitor failures and their consequences, lessen the likelihood of failures that might cause harm and take appropriate remedial actions. Buyer will fully indemnify TI and its representatives against any damages arising out of the use of any TI components in safety-critical applications.

In some cases, TI components may be promoted specifically to facilitate safety-related applications. With such components, TI's goal is to help enable customers to design and create their own end-product solutions that meet applicable functional safety standards and requirements. Nonetheless, such components are subject to these terms.

No TI components are authorized for use in FDA Class III (or similar life-critical medical equipment) unless authorized officers of the parties have executed a special agreement specifically governing such use.

Only those TI components which TI has specifically designated as military grade or "enhanced plastic" are designed and intended for use in military/aerospace applications or environments. Buyer acknowledges and agrees that any military or aerospace use of TI components which have **not** been so designated is solely at the Buyer's risk, and that Buyer is solely responsible for compliance with all legal and regulatory requirements in connection with such use.

TI has specifically designated certain components which meet ISO/TS16949 requirements, mainly for automotive use. Components which have not been so designated are neither designed nor intended for automotive use; and TI will not be responsible for any failure of such components to meet such requirements.

### Products

Audio	<a href="http://www.ti.com/audio">www.ti.com/audio</a>
Amplifiers	<a href="http://amplifier.ti.com">amplifier.ti.com</a>
Data Converters	<a href="http://dataconverter.ti.com">dataconverter.ti.com</a>
DLP® Products	<a href="http://www.dlp.com">www.dlp.com</a>
DSP	<a href="http://dsp.ti.com">dsp.ti.com</a>
Clocks and Timers	<a href="http://www.ti.com/clocks">www.ti.com/clocks</a>
Interface	<a href="http://interface.ti.com">interface.ti.com</a>
Logic	<a href="http://logic.ti.com">logic.ti.com</a>
Power Mgmt	<a href="http://power.ti.com">power.ti.com</a>
Microcontrollers	<a href="http://microcontroller.ti.com">microcontroller.ti.com</a>
RFID	<a href="http://www.ti-rfid.com">www.ti-rfid.com</a>
OMAP Applications Processors	<a href="http://www.ti.com/omap">www.ti.com/omap</a>
Wireless Connectivity	<a href="http://www.ti.com/wirelessconnectivity">www.ti.com/wirelessconnectivity</a>

### Applications

Automotive and Transportation	<a href="http://www.ti.com/automotive">www.ti.com/automotive</a>
Communications and Telecom	<a href="http://www.ti.com/communications">www.ti.com/communications</a>
Computers and Peripherals	<a href="http://www.ti.com/computers">www.ti.com/computers</a>
Consumer Electronics	<a href="http://www.ti.com/consumer-apps">www.ti.com/consumer-apps</a>
Energy and Lighting	<a href="http://www.ti.com/energy">www.ti.com/energy</a>
Industrial	<a href="http://www.ti.com/industrial">www.ti.com/industrial</a>
Medical	<a href="http://www.ti.com/medical">www.ti.com/medical</a>
Security	<a href="http://www.ti.com/security">www.ti.com/security</a>
Space, Avionics and Defense	<a href="http://www.ti.com/space-avionics-defense">www.ti.com/space-avionics-defense</a>
Video and Imaging	<a href="http://www.ti.com/video">www.ti.com/video</a>

### TI E2E Community

[e2e.ti.com](http://e2e.ti.com)