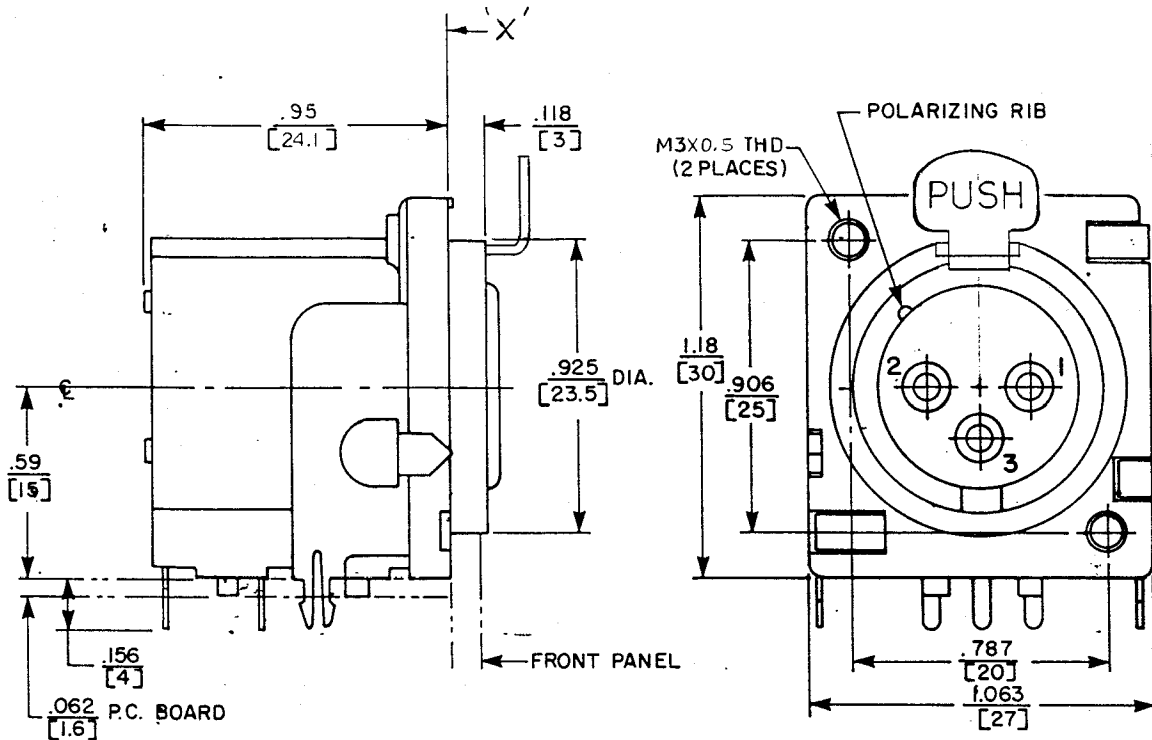


REV	DATE	BY	DESCRIPTION
D	4C	D	M3X0.5 THD ECO 7-8-90



COMPONENT SIDE.

CUSTOMER DWG.

★ STAR SYMBOL DENOTES CRITICAL DIMENSION
SEE S/C ENGINEERING STANDARD ES-0001

SIZE MULT TEMPER	THIS DRAWING DESCRIBES A DESIGN CONSIDERED PROPRIETARY IN NATURE, DEVELOPED AND MANUFACTURED BY SWITCHCRAFT, INC. AND IS RELEASED ON A CONFIDENTIAL BASIS FOR IDENTIFICATION PURPOSE ONLY.		
	UNLESS OTHERWISE SPECIFIED:		
	1. DECIMAL DIMENSIONS ± .005	2. FRACTIONAL DIMENSIONS ± 1/64	3. ANGLES ± 1/2°
	4. ALL DIA'S CONCENTRIC WITHIN .005 T.I.R.	5. ALL DIMENSIONS IN INCHES	6. FOR THREADS USE UNIFIED PLUG AND RING GAGES ONLY
7. REMOVE ALL BURRS	8. PART TO BE FABRICATED AS SPECIFIED MAKE NO DIMENSIONAL ALLOWANCES FOR APPLIED FINISHES, I.E., PLATING, PAINTING, ETC.	9. HOLES ON SAME CENTERLINE MUST BE ALIGNED WITHIN ± .002	
	DRAWN BY KL	DATE 1-29-90	FINISH
	CHECKED BY <i>[Signature]</i>	DATE 1-30-90	PER FINISH SPEC. NO.
	APPROVED BY <i>[Signature]</i>	DATE 1-30-90	MATERIAL
	SCALE ~	FIRST USED ON	PER MAT. SPEC. NO.
	NAME PQG RECEPTACLE, FEMALE, R.A.		PART NO. PQG 3FRA
	DO NOT SCALE DRAWING		ISSUE D

ROUTING