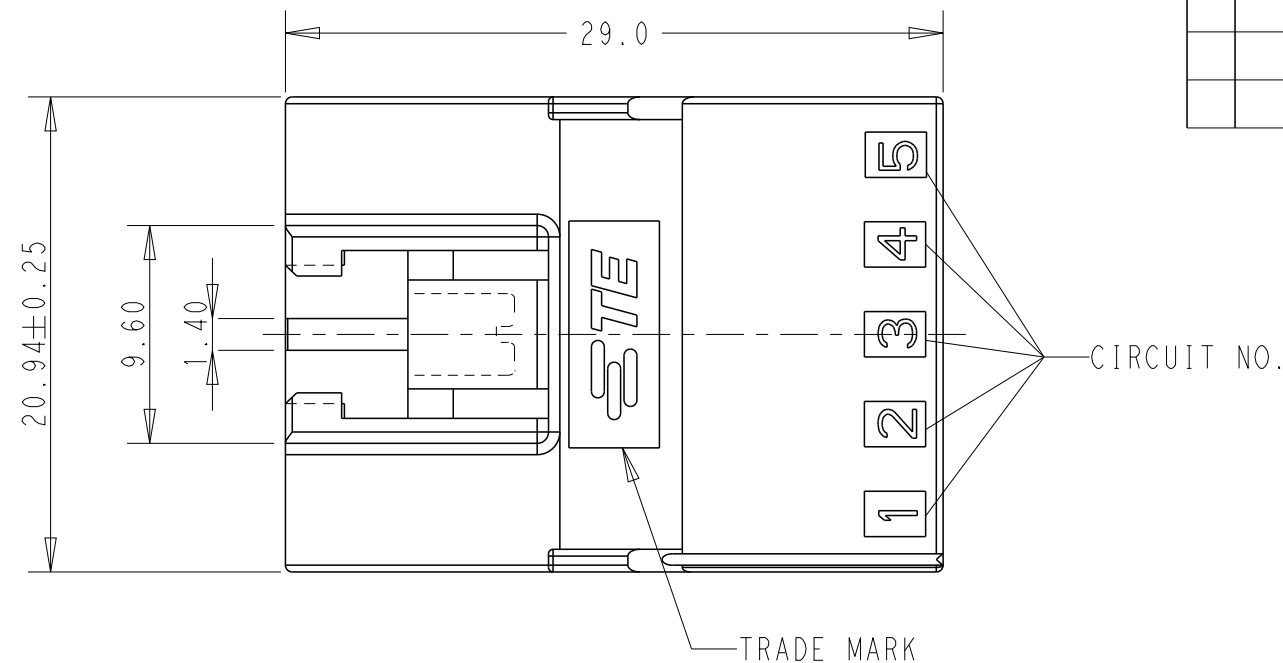
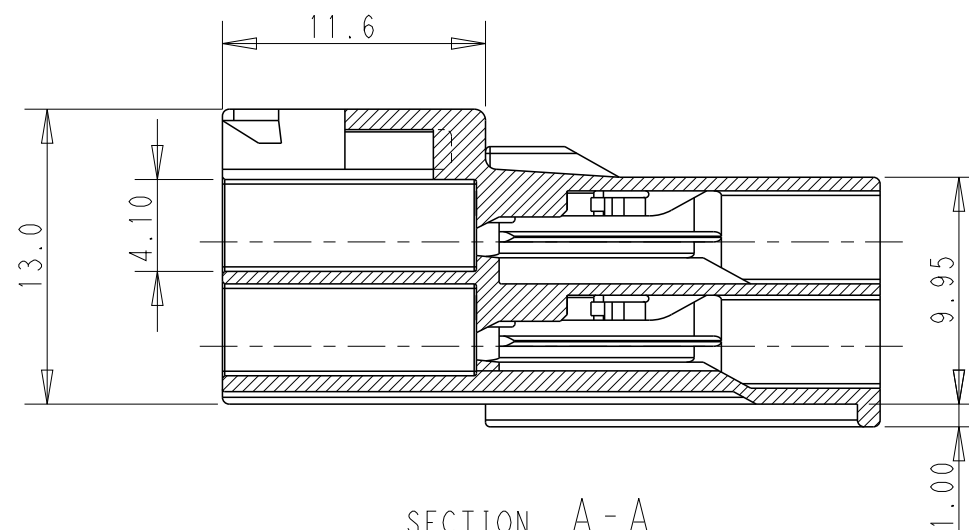
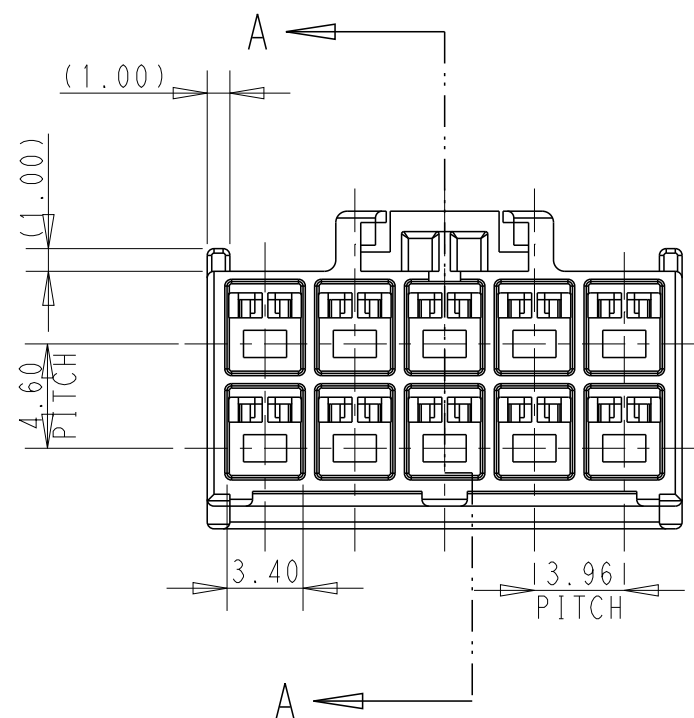


P	LTR	DESCRIPTION	DATE	DWN	APVD
	B	REVISED PER ECR-20-100642	19SEP2022	M.G	D.Z

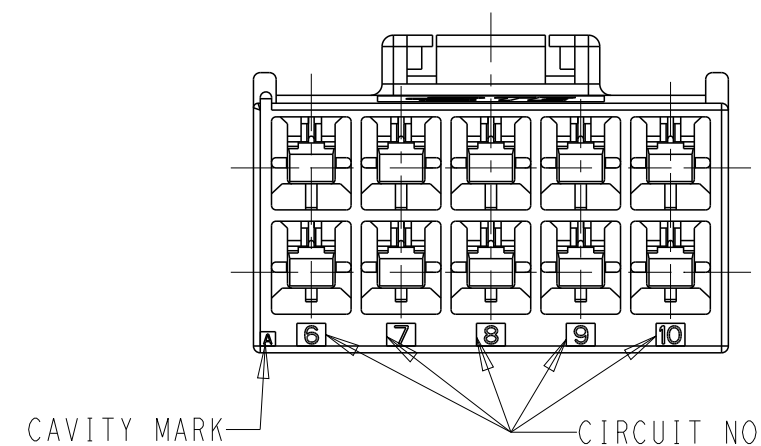


NOTES:

- 1 APPLICABLE CONTACT P/N:
 TAB CONTACT: 175150-□ (20-16 AWG)
 175149-□ (26-22 AWG)
- 2 MATING CONN.P/N:
 PLUG HSG: 176277-□
 REC CONTACT: 175152-□ (20-16 AWG)
 175151-□ (26-22 SWG)
- 3 INSTRUCTION SHEET: IS-503J.



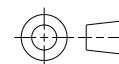
SECTION A-A



DISCONTINUED	BLACK	10	176288-9
DEVELOPMENT	BLUE	10	176288-6
DISCONTINUED	YELLOW	10	176288-4
	RED	10	176288-2
	NATURAL	10	176288-1
HOUSING COLOR	POSITION	PART NUMBER	

THIS DRAWING IS A CONTROLLED DOCUMENT.

DIMENSIONS:
mm



MATERIAL
6/6 NYLON
(UL94 V-0)

TOLERANCES UNLESS OTHERWISE SPECIFIED:

0 PLC ±
 1 PLC ±0.25
 2 PLC ±0.20
 3 PLC ±
 4 PLC ±
 ANGLES ±3°

FINISH

DWN 23NOV1989

M. SHINDO

CHK 28NOV1989

M. YOSHIDA

APVD 28NOV1989

N. ONOUE

PRODUCT SPEC
108-5302

APPLICATION SPEC
114-5142

WEIGHT

CUSTOMER DRAWING

NAME
AMP UNIVERSAL POWER CONN. 3.96MM
PITCH CAP HOUSING 10 POS (DBL ROW)

SIZE CAGE CODE DRAWING NO RESTRICTED TO

A3 00779 C=176288

STE TE Connectivity

SCALE 3:1 SHEET 1 OF 1 REV B