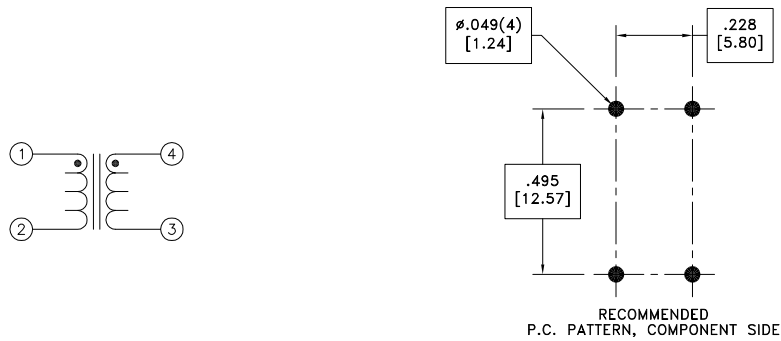
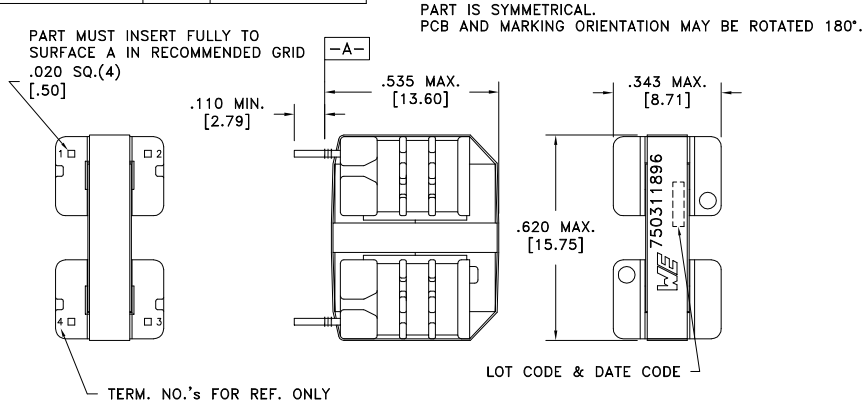


CUSTOMER TERMINAL	RoHS	LEAD(Pb)-FREE
Sn96%, Ag4%	Yes	Yes



ELECTRICAL SPECIFICATIONS @ 25°C unless otherwise noted:

PARAMETER	TEST CONDITIONS	VALUE
D.C. RESISTANCE	1-2 @20°C	2.5 ohms ±10%
D.C. RESISTANCE	3-4 @20°C	2.5 ohms ±10%
INDUCTANCE	1-2 10kHz, 100mVAC, Ls	10mH typ., 6.3mH min.
INDUCTANCE	3-4 10kHz, 100mVAC, Ls	10mH typ., 6.3mH min.
SATURATION CURRENT	20% rolloff from initial	350mA
LEAKAGE INDUCTANCE	tie(2+3), 100kHz, 100mVAC, Ls	1.1mH min.
SELF RESONANT FREQUENCY		800kHz typ.
DIELECTRIC	1-4 1875VAC, 1 second	1500VAC, 1 minute

GENERAL SPECIFICATIONS:

OPERATING TEMPERATURE RANGE: -40°C to +125°C including temp rise.

RATED CURRENT: 370mA causes 40°C temp rise from ambient.

Wire insulation & RoHS status not affected by wire color.
Wire insulation color may vary depending on availability.

REV.	DATE	Packaging Specifications Method: Tray PKG-0888 www.we-online.com/midcom		Tolerances unless otherwise specified: Angles: ±1° Fractions: ±1/64 Decimals: ±.005 [.13] Footprint: ±.001 [.03]	DRAWING TITLE INDUCTOR COMMON MODE CHOKE	PART NO. 750311896
6C	7/16					
6B	8/12					
6A	12/10	SEE REVISION SHEET FOR REVISION LEVEL		This drawing is dual dimensioned. Dimensions in brackets are in millimeters.	eiSos p/n: 750311896	SPECIFICATION SHEET 1 OF 1