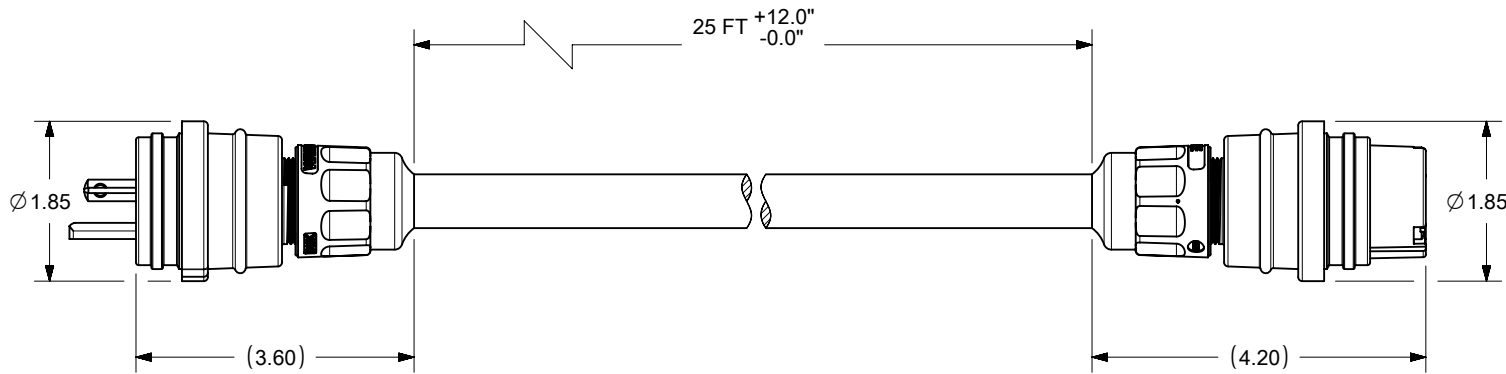
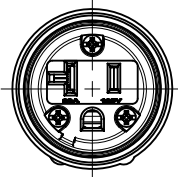
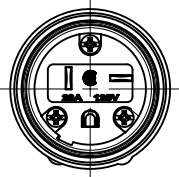


FACE VIEW OF MALE INSERT

FACE VIEW OF FEMALE INSERT



| ITEM NO. | DESCRIPTION | MATERIAL | QTY. |
|----------|------------------------|--|------|
| 1 | MALE INSERT ASSY. | NYLON, POLYCARBONATE, BRASS PLATING - NICKEL OR ZINC | 1 |
| 2 | WATERTITE - MALE HUSK | SILICONE | 2 |
| 3 | GROMMET | RUBBER | 2 |
| 4 | FRICITION RING | NYLON | 2 |
| 5 | COMPRESSION NUT YELLOW | NYLON | 2 |
| 6 | YELL SOOWCORD | COPPER WIRE | 1 |
| 7 | FEMALE INSERT ASSY. | NYLON, POLYCARBONATE, BRASS PLATING - NICKEL OR ZINC | 1 |
| 8 | CABLE GLOVE | SILICONE | 2 |
| 9 | RETAINING SCREW | STAINLESS STEEL | 6 |

| MATERIAL NO. | ENGINEERING NO. |
|--------------|-----------------|
| 1301430370 | 130143-0370 |

| | | | | | | | | | |
|---|--|---|--|--------------------------------|--|-----------------------|--|--|--|
| THIS DRAWING CONTAINS INFORMATION THAT IS PROPRIETARY TO MOLEX ELECTRONIC TECHNOLOGIES, LLC AND SHOULD NOT BE USED WITHOUT WRITTEN PERMISSION | | | | | | | | | |
| SYMBOLS ▽ = 0 ▽ = 0 ▽ = 0 ▽ = 0 ▽ = 0 ▽ = 0 ▽ = 0 ▽ = 0 ▽ = 0 ▽ = 0 ▽ = 0 ▽ = 0 | | DIMENSION UNITS: INCH SCALE: NTS | | CURRENT REV DESC: NEW RELEASE | | | | | |
| GENERAL TOLERANCES (UNLESS SPECIFIED) ANGULAR TOL ± ° 4 PLACES ± 3 PLACES ± 2 PLACES ± 1 PLACE ± 0 PLACES ± | | EC NO: 622755 DRWN: PPURSUTANDEL 2019/07/11 CHK'D: DNGUYEN62 2019/11/18 APPR: HKNEELAND 2020/01/13 | | 14W33 W/25#12/3 & 15W33MB CONN | | | | | |
| DRAFT WHERE APPLICABLE MUST REMAIN WITHIN DIMENSIONS | | THIRD ANGLE PROJECTION | | DRAWING: A-SIZE | | SERIES: 130143 | | PRODUCT CUSTOMER DRAWING DOCUMENT NUMBER: 1301430370 DOC TYPE: PSD DOC PART: 000 REVISION: A | |
| MATERIAL NUMBER: SEE CHART | | CUSTOMER: GENERAL MARKET | | SHEET NUMBER: 1 OF 1 | | | | | |