

4

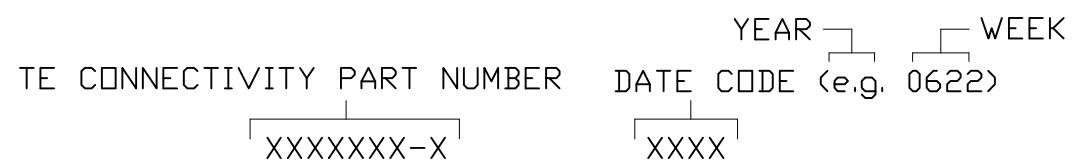
3

2

1

REVISIONS			
EC	REV	DESCRIPTION	DATE
CPR	A1	REVISED PER ECO-11-005140	24MAR11

- 7. CONTACTS PURCHASED SEPARATELY.
- 6. ELCON EQUIVALENT SERIES 296-0049-01100.
- 5. ITEMS PROVIDED TO THIS SPECIFICATION TO BE PERMANENTLY IDENTIFIED PER THE FOLLOWING IDENTIFIER:



4 A REFERENCE DIMENSION (X.XX) IS WITHOUT TOLERANCE AND USED FOR INFORMATION ONLY.

3. FINISHES:  
RETENTION CLIPS: BRITE DIP PICKLED PER INDUSTRY STANDARDS.

2. MATERIALS:  
INSULATORS: THERMOPLASTIC, GLASS REINFORCED, UL94V-0 FLAMMABILITY RATED, COLOR-BLACK.

RETENTION CLIPS: COPPER OR STAINLESS STEEL.

1. PART NUMBER CHANGES AND OR DESIGN CHANGES AFFECTING ITEM INTERCHANGEABILITY REQUIRE PRIOR TE CONNECTIVITY APPROVAL AND AUTHORIZATION BY REVISION TO THIS DRAWING.

NOTES: UNLESS OTHERWISE SPECIFIED

PART NUMBER
1648578-1

<p>THIRD ANGLE PROJECTION</p> <p>UNLESS OTHERWISE SPECIFIED DIMENSIONS ARE IN INCHES (METRIC)</p> <p>TOLERANCES</p> <p>ANGLES ± .5°</p> <p>DECIMALS</p> <p>.XXX ± .010 (.25)</p> <p>.XX ± .02 (.3)</p>	<p>INCH OR INCH (MM)</p> <p>MM</p>	<p>DRAWN</p> <p>R. F. A.</p>	<p>DATE</p> <p>3/22/06</p>		
	CHECKED		<p>TITLE</p> <p>CONNECTOR, SOCKET WITH RETENTION CLIPS DOUBLE DRAWER</p>		
	APPROVED				
	APPROVED		<p>S. FLICKINGER</p>	<p>SIZE</p> <p>B</p>	<p>DWG NUMBER</p> <p>C= 1648578</p>
DCA APPROVED		<p>ACAD FILE NUMBER</p> <p>C1648578A.DWG</p>	<p>DWG SCALE</p> <p>1=1</p>	<p>SH 1 OF 3</p>	

4

3

2

1

4

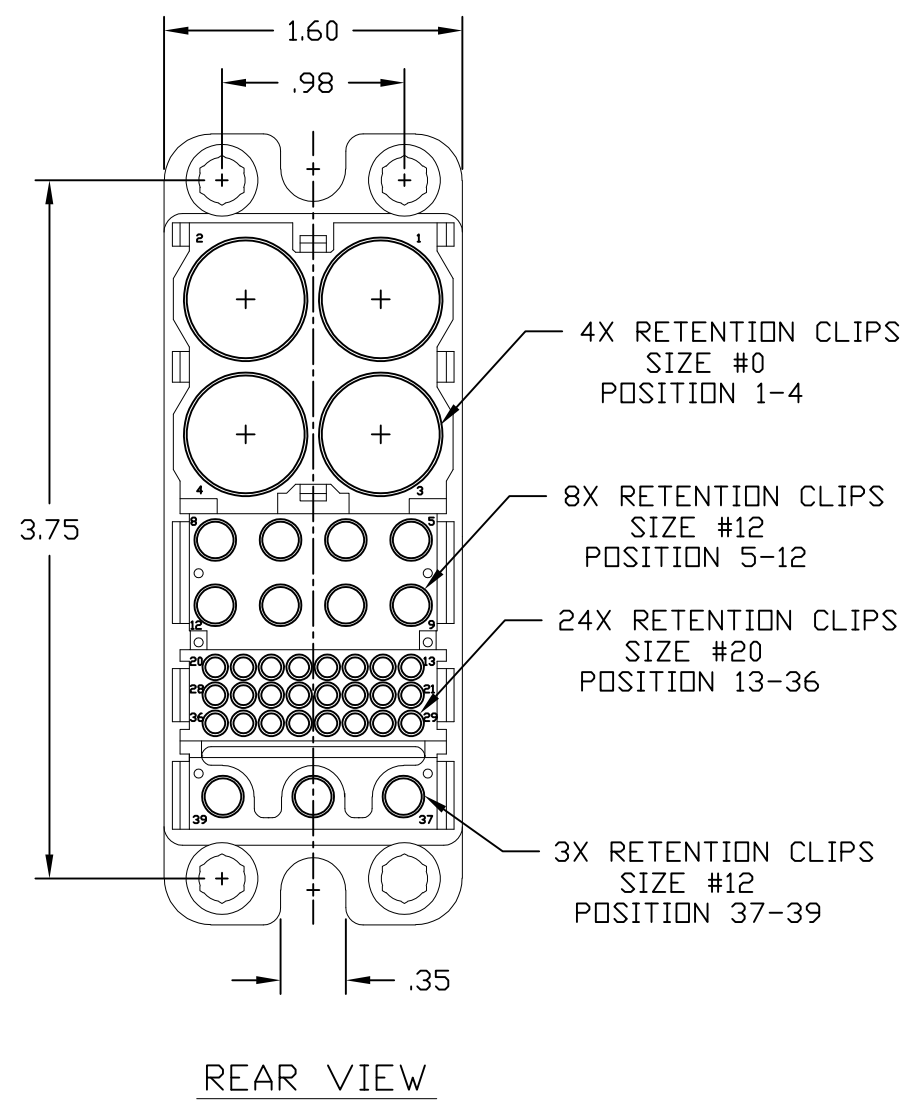
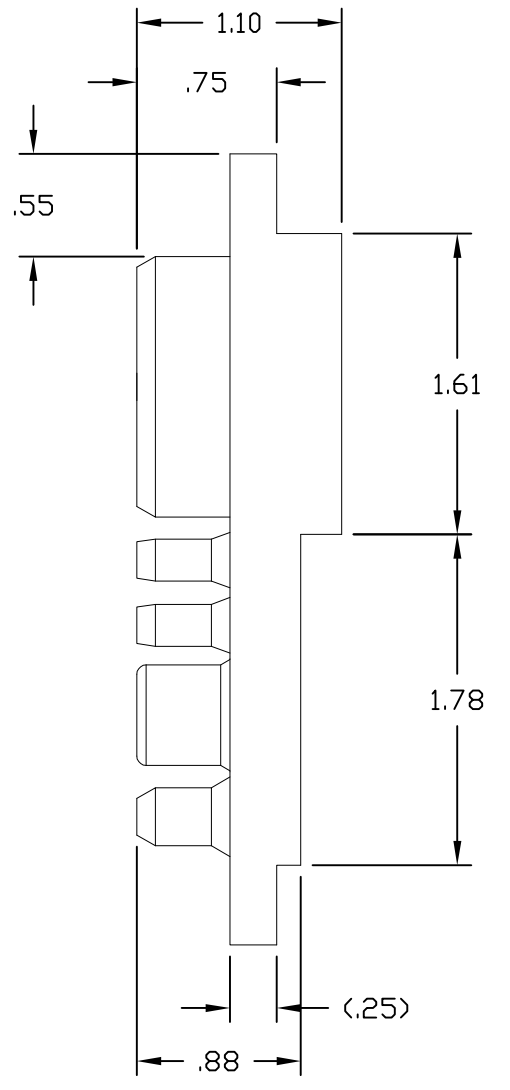
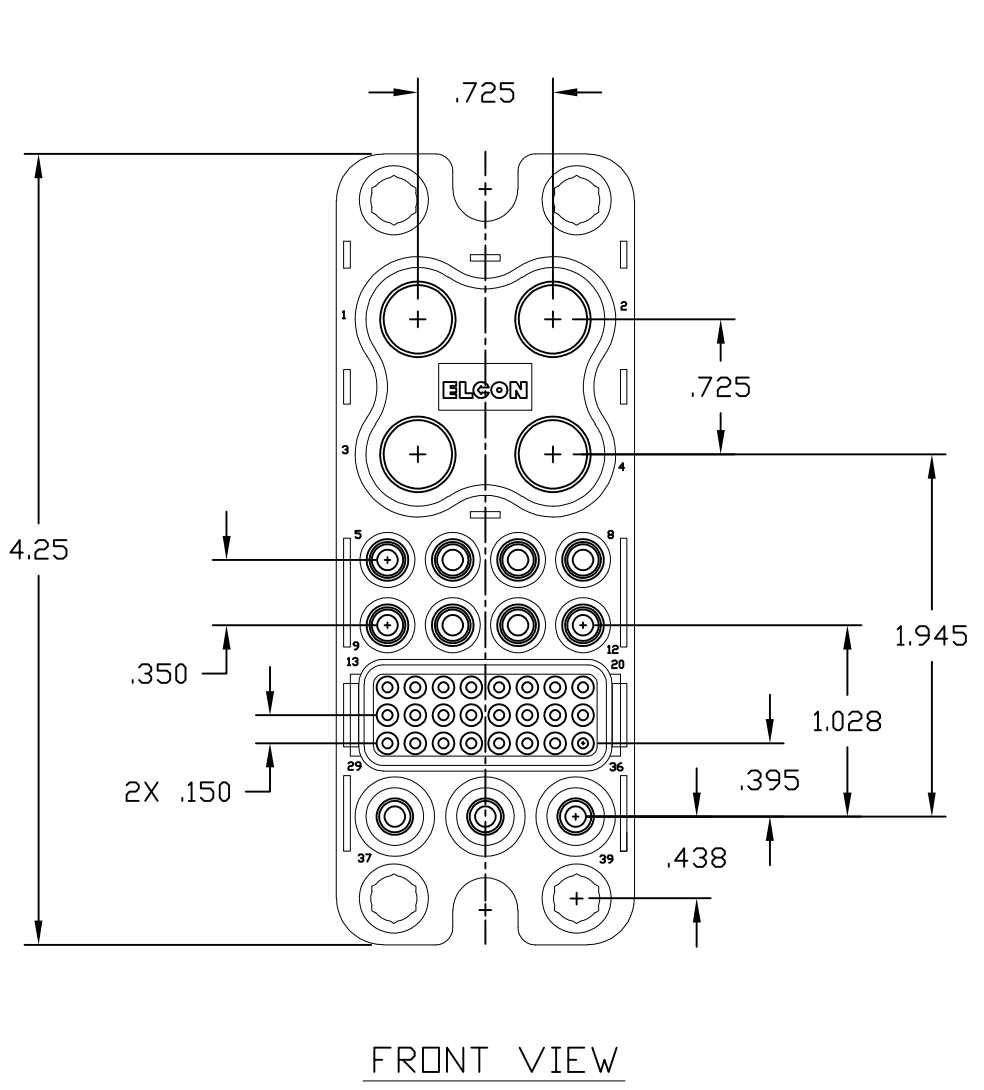
3

2

1

REVISIONS

EC	REV	DESCRIPTION	DATE
		SEE SHEET 1	



B

B

A

A

INCH OR INCH (MM)  THIRD ANGLE PROJECTION UNLESS OTHERWISE SPECIFIED DIMENSIONS ARE IN INCHES (METRIC) TOLERANCES ANGLES ± .5° DECIMALS .XXX ± .010 (.25) .XX ± .02 (.3)	DRAWN R. F. A.	DATE 3/22/06	TE Connectivity	
	CHECKED		TITLE CONNECTOR, SOCKET WITH RETENTION CLIPS DOUBLE DRAWER	
	APPROVED S. FLICKINGER		SIZE B	DWG NUMBER C= 1648578
	DCA APPROVED			REV. A1
	ACAD FILE NUMBER C1648578A.DWG		DWG SCALE 1=1	SH 2 OF 3

4

3

2

1

4

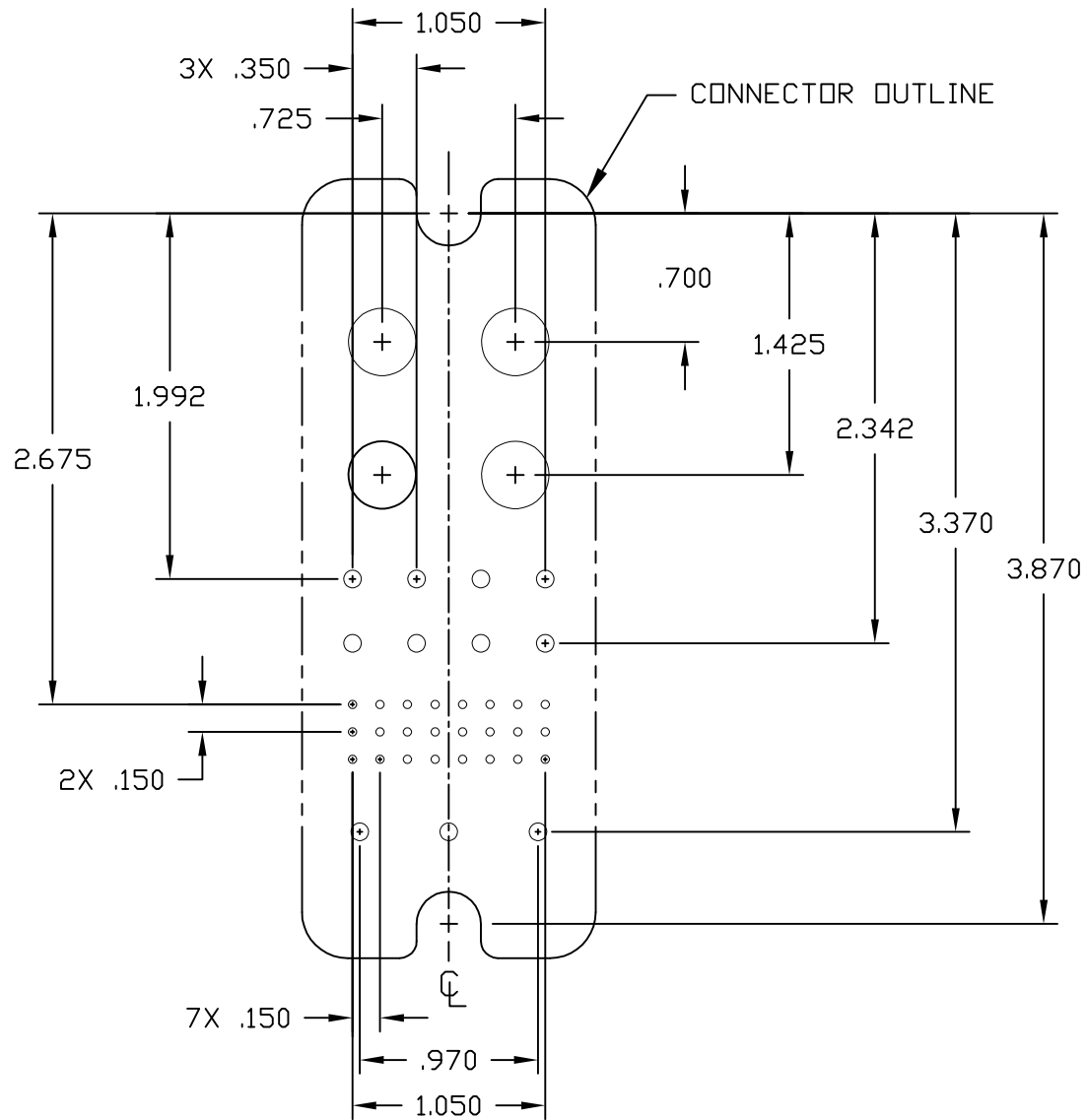
3

2

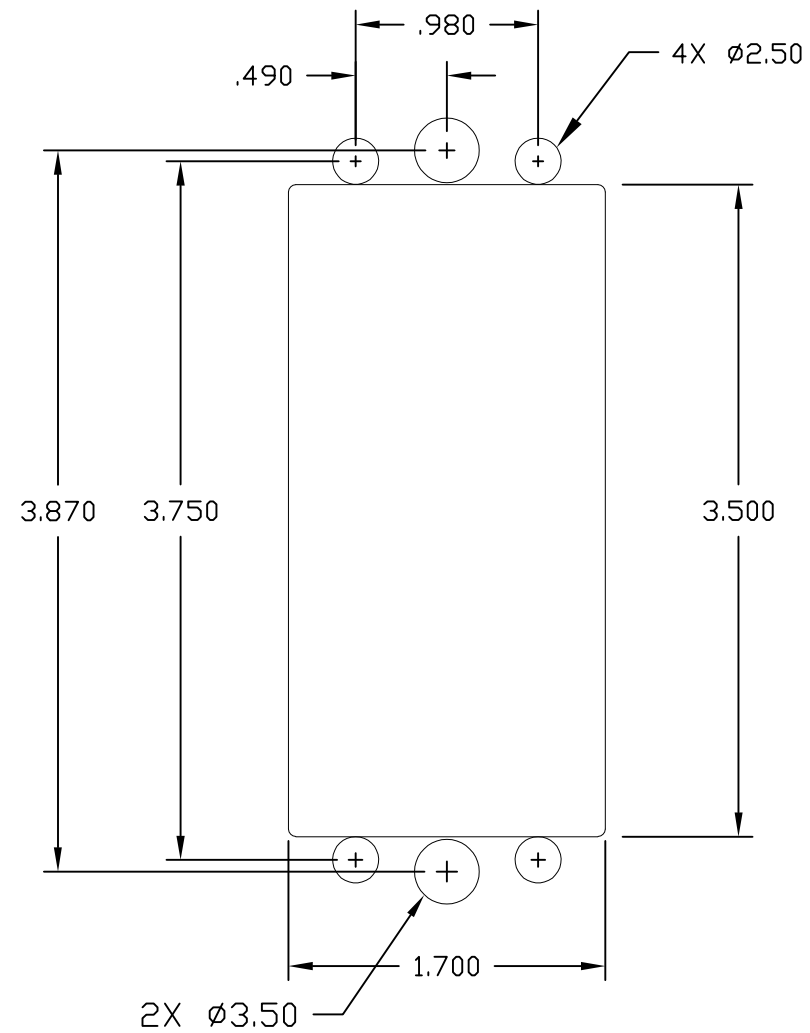
1

REVISIONS

EC	REV	DESCRIPTION	DATE
		SEE SHEET 1	



SUGGESTED PCB LAYOUT



SUGGESTED PANEL CUTOUT  
(VIEWED FROM CONNECTOR MOUNTING SIDE)

INCH OR INCH (MM) MM  THIRD ANGLE PROJECTION UNLESS OTHERWISE SPECIFIED DIMENSIONS ARE IN INCHES (METRIC) TOLERANCES ANGLES ± .5° DECIMALS .XXX ± .010 (.25) .XX ± .02 (.3)	DRAWN R. F. A. CHECKED APPROVED APPROVED S. FLICKINGER DCA APPROVED ACAD FILE NUMBER	DATE 3/22/06	TE Connectivity
	TITLE CONNECTOR, SOCKET WITH RETENTION CLIPS PANEL CUTOUT AND PCB LAYOUT		SIZE B
DWG NUMBER C= 1648578		REV. A1	DWG SCALE 1=1 SH 3 OF 3

4

3

2

1

B

B

A

A