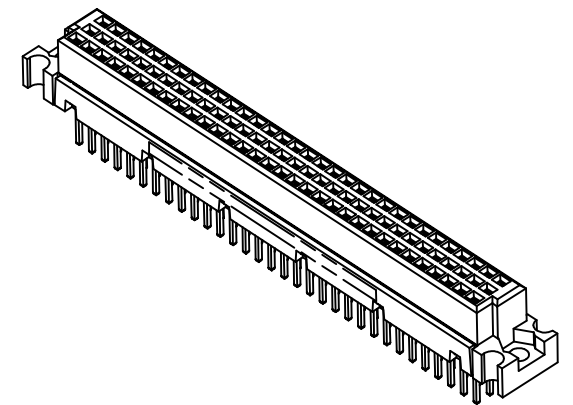


NOTES:

1. LEAD FREE OR RoHS DIRECTIVE LABELING TO BE PROVIDED AS PER GS-14-920 FOR LF PRODUCTS.
2. THE "LF" PRODUCT MEETS EUROPEAN UNION DIRECTIVES AND OTHER COUNTRY REGULATIONS AS DESCRIBED IN GS-22-008.



SCALE 1:1

NOTES:

1. BODY MATERIAL : PBTB PLASTIC
2. TERMINAL MATERIAL : PHOSPOR BRONZE

mat'l. code		surface		tolerance		projection		product family	
SEE NOTES		ISO 1302		ISO 406 ISO 1101				DIN	
ltr	ecn no	dr	date	tolerances unless otherwise specified		mm		title	
A	F10721	DLE	2001-12-04	angles	linear	scale 2:1		CONNECTOR DIN	
B	F040155	DLE	2004-03-18					3x32 POS.	
C	I05-0066	MINI	2005-04-28					dwg no	
D	I05-0123	MINI	2005-07-27	dr	D.LEGRAND	2004-12-01	sheet 1 of 5		size
E	I06-0082	MINI	2006-06-01	enr	D.LEGRAND	2004-03-18	72902		A3
F	I10-0066	KR	2010-03-08	chr	KESAVAN.R	2010-03-08	Product Customer Drawing		
sheet index		revision sheet	F	D	D	D	D		
			1	2	3	4	5		

FCI
FCIconnect.com

Copyright FCI

form: A3

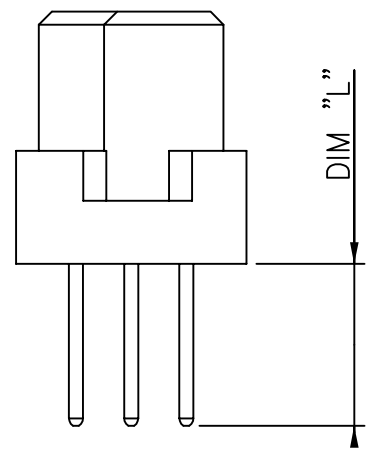


FIGURE 1

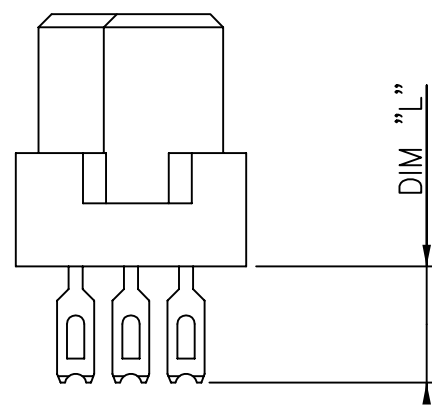


FIGURE 2

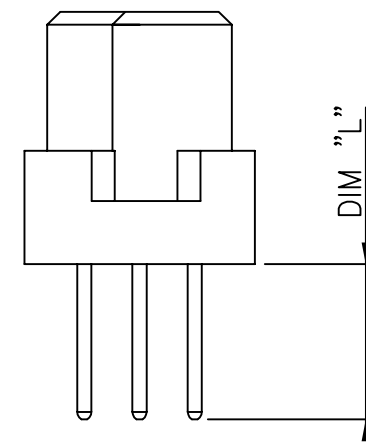


FIGURE 3

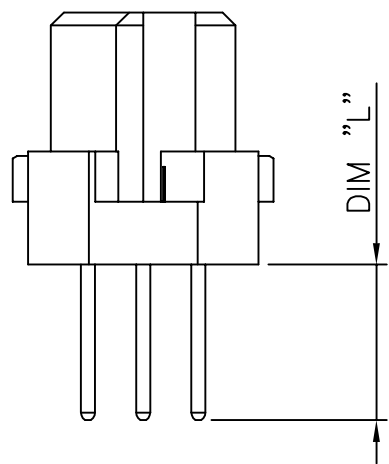


FIGURE 4

NOTES:
SLOT PROVIDED ON THE MATING SIDE IN FIGURE 4 IS OPTIONAL

NOTES:
1. LEAD FREE OR RoHS DIRECTIVE LABELING TO BE PROVIDED AS PER GS-14-920 FOR LF PRODUCTS.
2. THE "LF" PRODUCT MEETS EUROPEAN UNION DIRECTIVES AND OTHER COUNTRY REGULATIONS AS DESCRIBED IN GS-22-008.

mat'l. code				surface		tolerance		projection		product family					
-				ISO 1302		ISO 406 ISO 1101				DIN					
ltr ecn no dr date				tolerances unless otherwise specified						title					
A	F10721	DLE	2001-12-04	angles		linear		mm		CONNECTOR DIN 3x32 POS.					
B	I05-0066	MINI	2004-26-05					scale 2:1							
C	I05-0123	MINI	2005-07-27												
D	I06-0082	MINI	2006-06-01	dr		D.LEGRAND		2001-12-04		dwg no		sheet 2 of 5		size	
				enr		J.F.NOTTEAU		2001-12-04		72902				A3	
				chr		RAKHEE GEORGE		2006-06-01		type		Product Customer Drawing			
				appd		RAKHEE GEORGE		2006-06-01							
sheet index		revision sheet													



Copyright FCI

PRODUCT NUMBER	CUSTOMER P/N	PIN LOADED IN POSITION																																DIM "L" ±0.5 If no spec	REMARKS	PLATING	COMMENT		
		ROW	1	2	3	4	5	6	7	8	9	10	11	12	13	14	15	16	17	18	19	20	21	22	23	24	25	26	27	28	29	30	31					32	
72902-252	RNV 301 204	A	X	X	X	X	X	X	X	X	X	X	X	X	X	X	X	X	X	X	X	X	X	X	X	X	X	X	X	X	X	X	X	X	X	13.5	FIG 1	CONTACT AREA: 2µm Au TERMINATION: GOLD FLASH Ni ALL OVER	
72902-252LF		B	X	X	X	X	X	X	X	X	X	X	X	X	X	X	X	X	X	X	X	X	X	X	X	X	X	X	X	X	X	X	X	X	X	X			
72902-253	RNV 301 403	A	X	X	X	X	X	X	X	X	X	X	X	X	X	X	X	X	X	X	X	X	X	X	X	X	X	X	X	X	X	X	X	X	X	13.5	FIG 1	CONTACT AREA: 2µm Au TERMINATION: GOLD FLASH Ni ALL OVER	
72902-253LF		B	X	X	X	X	X	X	X	X	X	X	X	X	X	X	X	X	X	X	X	X	X	X	X	X	X	X	X	X	X	X	X	X	X	X			
72902-254	RNV 301 305	A	X	X	X	X	X	X	X	X	X	X	X	X	X	X	X	X	X	X	X	X	X	X	X	X	X	X	X	X	X	X	X	X	X	13.5	FIG 1	CONTACT AREA: 2µm Au TERMINATION: GOLD FLASH Ni ALL OVER	
72902-254LF		B	X	X	X	X	X	X	X	X	X	X	X	X	X	X	X	X	X	X	X	X	X	X	X	X	X	X	X	X	X	X	X	X	X	X			
72902-255	RNV 301 503	A	X	X	X	X	X	X	X	X	X	X	X	X	X	X	X	X	X	X	X	X	X	X	X	X	X	X	X	X	X	X	X	X	X	13.5	FIG 1	CONTACT AREA: 2µm Au TERMINATION: GOLD FLASH Ni ALL OVER	
72902-255LF		B	X	X	X	X	X	X	X	X	X	X	X	X	X	X	X	X	X	X	X	X	X	X	X	X	X	X	X	X	X	X	X	X	X	X			
72902-262	RNV 301 202/2	A	X	X	X	X	X	X	X	X	X	X	X	X	X	X	X	X	X	X	X	X	X	X	X	X	X	X	X	X	X	X	X	X	X	7.5	FIG 1	CONTACT AREA: 2µm Au TERMINATION: GOLD FLASH Ni ALL OVER	
72902-262LF		B	X	X	X	X	X	X	X	X	X	X	X	X	X	X	X	X	X	X	X	X	X	X	X	X	X	X	X	X	X	X	X	X	X	X			
72902-263	RNV 301 401/2	A	X	X	X	X	X	X	X	X	X	X	X	X	X	X	X	X	X	X	X	X	X	X	X	X	X	X	X	X	X	X	X	X	X	7.5	FIG 1	CONTACT AREA: 2µm Au TERMINATION: GOLD FLASH Ni ALL OVER	
72902-263LF		B	X	X	X	X	X	X	X	X	X	X	X	X	X	X	X	X	X	X	X	X	X	X	X	X	X	X	X	X	X	X	X	X	X	X			
72902-264	RNV 301 302/2	A	X	X	X	X	X	X	X	X	X	X	X	X	X	X	X	X	X	X	X	X	X	X	X	X	X	X	X	X	X	X	X	X	X	7.5	FIG 1	CONTACT AREA: 2µm Au TERMINATION: GOLD FLASH Ni ALL OVER	
72902-264LF		B	X	X	X	X	X	X	X	X	X	X	X	X	X	X	X	X	X	X	X	X	X	X	X	X	X	X	X	X	X	X	X	X	X	X			
72902-265	RNV 301 501/2	A	X	X	X	X	X	X	X	X	X	X	X	X	X	X	X	X	X	X	X	X	X	X	X	X	X	X	X	X	X	X	X	X	X	7.5	FIG 1	CONTACT AREA: 2µm Au TERMINATION: GOLD FLASH Ni ALL OVER	
72902-265LF		B	X	X	X	X	X	X	X	X	X	X	X	X	X	X	X	X	X	X	X	X	X	X	X	X	X	X	X	X	X	X	X	X	X	X			
72902-272	RNV 301 202/3	A	X	X	X	X	X	X	X	X	X	X	X	X	X	X	X	X	X	X	X	X	X	X	X	X	X	X	X	X	X	X	X	X	X	3.3 ⁰ _{-0.6}	FIG 1	CONTACT AREA: 2µm Au TERMINATION: GOLD FLASH Ni ALL OVER	
72902-272LF		B	X	X	X	X	X	X	X	X	X	X	X	X	X	X	X	X	X	X	X	X	X	X	X	X	X	X	X	X	X	X	X	X	X	X			
72902-274	RNV 301 302/3	A	X	X	X	X	X	X	X	X	X	X	X	X	X	X	X	X	X	X	X	X	X	X	X	X	X	X	X	X	X	X	X	X	X	3.3 ⁰ _{-0.6}	FIG 1	CONTACT AREA: 2µm Au TERMINATION: GOLD FLASH Ni ALL OVER	OBSOLETE
72902-274LF		B	X	X	X	X	X	X	X	X	X	X	X	X	X	X	X	X	X	X	X	X	X	X	X	X	X	X	X	X	X	X	X	X	X	X			
72902-275	RNV 301 501/3	A	X	X	X	X	X	X	X	X	X	X	X	X	X	X	X	X	X	X	X	X	X	X	X	X	X	X	X	X	X	X	X	X	X	3.3 ⁰ _{-0.6}	FIG 3	CONTACT AREA: 2µm Au TERMINATION: GOLD FLASH Ni ALL OVER	
72902-275LF		B	X	X	X	X	X	X	X	X	X	X	X	X	X	X	X	X	X	X	X	X	X	X	X	X	X	X	X	X	X	X	X	X	X	X			
72902-279	RNV 301 501/4	A	X	X	X	X	X	X	X	X	X	X	X	X	X	X	X	X	X	X	X	X	X	X	X	X	X	X	X	X	X	X	X	X	X	3.3 ⁰ _{-0.6}	FIG 3	CONTACT AREA: 2µm Au TERMINATION: GOLD FLASH Ni ALL OVER	OBSOLETE
72902-279LF		B	X	X	X	X	X	X	X	X	X	X	X	X	X	X	X	X	X	X	X	X	X	X	X	X	X	X	X	X	X	X	X	X	X	X			



NOTES:
 1. LEAD FREE OR RoHS DIRECTIVE LABELING TO BE PROVIDED AS PER GS-14-920 FOR LF PRODUCTS.
 2. THE "LF" PRODUCT MEETS EUROPEAN UNION DIRECTIVES AND OTHER COUNTRY REGULATIONS AS DESCRIBED IN GS-22-008.

mat'l. code		surface		tolerance		projection		product family	
-		ISO 1302		ISO 406 ISO 1101		mm		DIN	
litr		ecn no		dr		date		title	
A		F10721		DLE		2001-12-04		CONNECTOR DIN	
B		F040155		DLE		2004-03-18		3x32 POS.	
C		I05-0123		MINI		2005-07-27		scale 2:1	
D		I06-0082		MINI		2006-06-01		FCI	
sheet index		revision sheet		D.LEGRAND		2001-12-04		dwg no	
				enr		J.F.NOTTEAU		sheet 4 of 5	
				chr		RAKHEE GEORGE		72902	
				appd		RAKHEE GEORGE		A3	
								type Product Customer Drawing	

Copyright FCI

