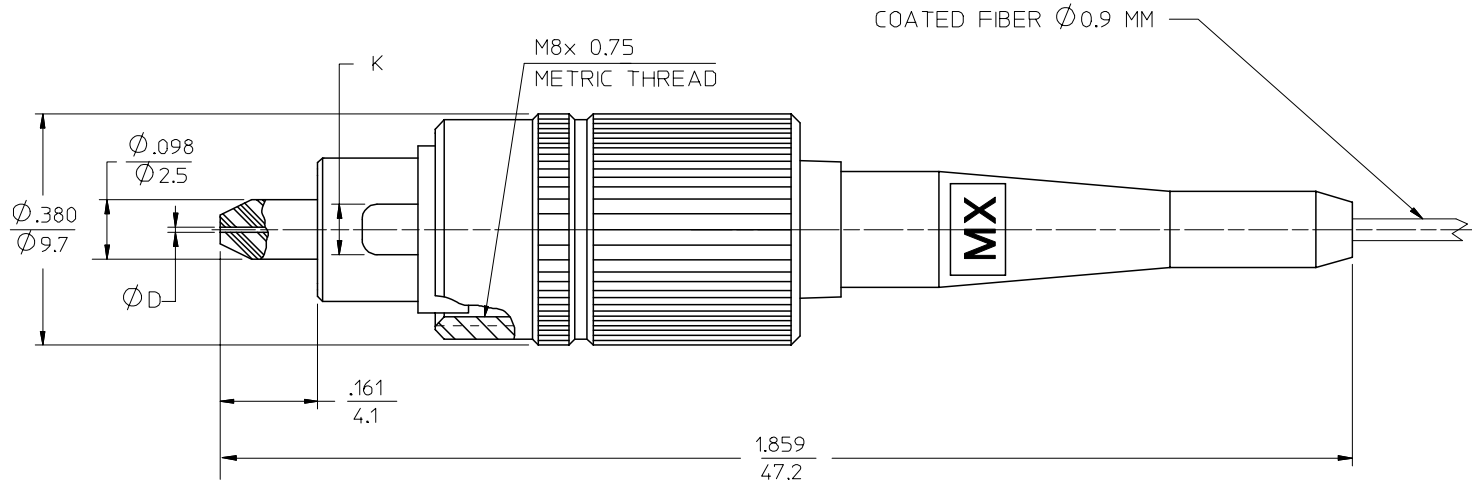


CONNECTOR P/N	Ø D (4m)	K (KEY)
106055-6550	125.5	.0785
106056-6550		.083
106055-4550	125	.0785
106056-4550		.083



NOTE:

1. DUST CAP IS NOT SHOWN.
2. ANGLE POLISHING IS ACCOMPLISHED AFTER CONNECTOR IS TERMINATED WITH FIBER AND ASSEMBLED. CONNECTOR KIT IS SUPPLIED WITHOUT ANGLE PRE-POLISHING.

ENTER DESCRIPTION EC NO: MF2008-0166 DRWNGKPEVZNER CHKD: 2007/10/17 APPR: IGUMIN 2007/10/18	QUALITY SYMBOLS ▽=0 ▽=0	GENERAL TOLERANCES (UNLESS SPECIFIED)		DIMENSION STYLE	SCALE	DESIGN UNITS	THIRD ANGLE PROJECTION	
				IN/MM	4:1	INCH		
				DRAWN BY	DATE	TITLE		
				PGIBL IN	2005/10/24	FCII APC BARE FIB. CONN. HIGH PRECISION W/O ANGLE PREPOLISHING		
		APPROVED BY		DATE	MOLEX INCORPORATED			
		MATERIAL NO.		DOCUMENT NO.	SHEET NO.			
		SEE TABLE		SD-10605A-A5X0	1 OF 1			
		DRAFT WHERE APPLICABLE MUST REMAIN WITHIN DIMENSIONS						
		THIS DRAWING CONTAINS INFORMATION THAT IS PROPRIETARY TO MOLEX INCORPORATED AND SHOULD NOT BE USED WITHOUT WRITTEN PERMISSION						