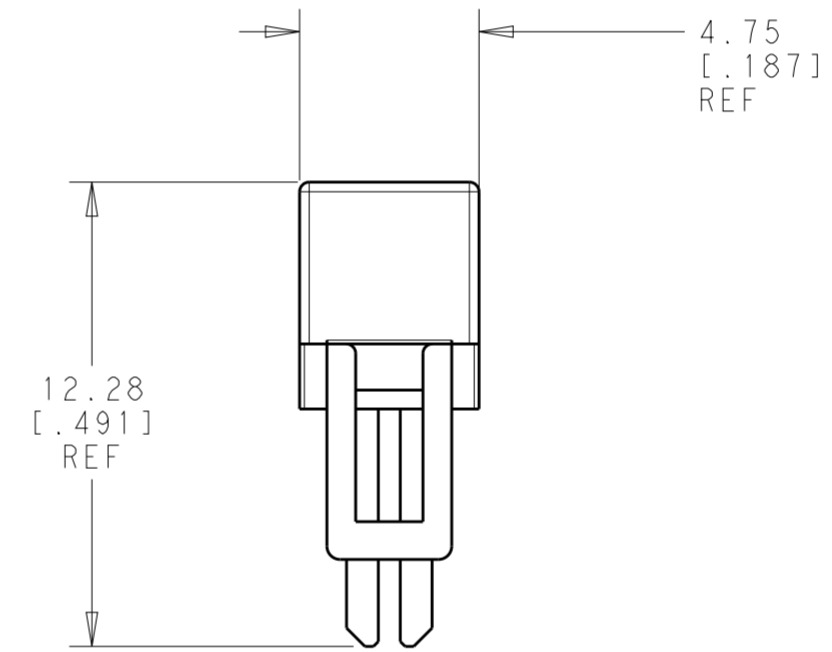
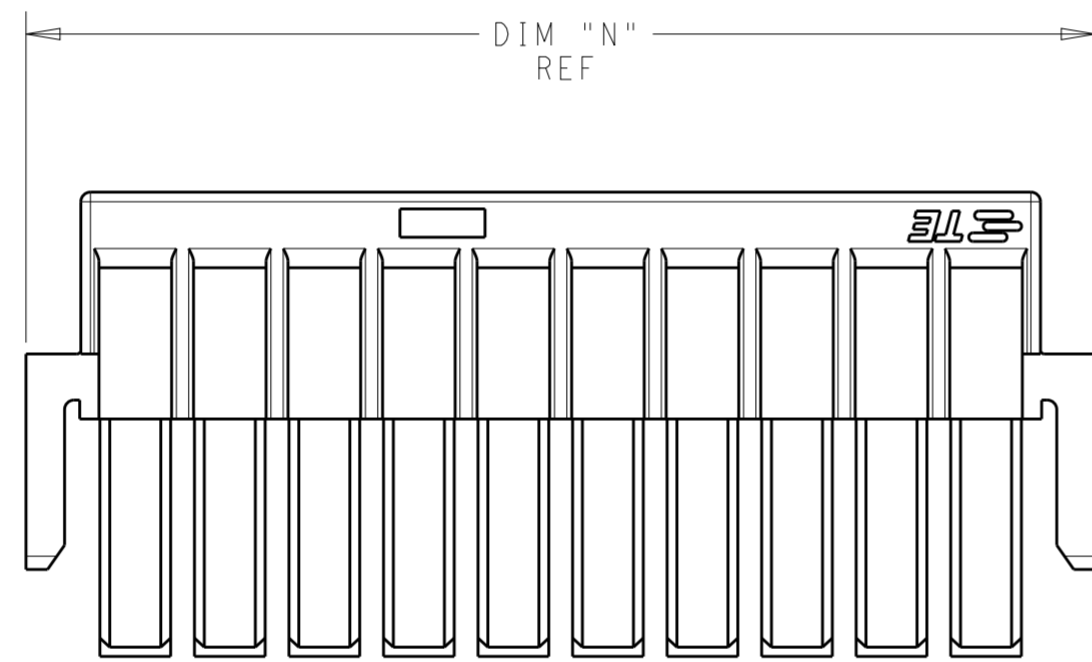
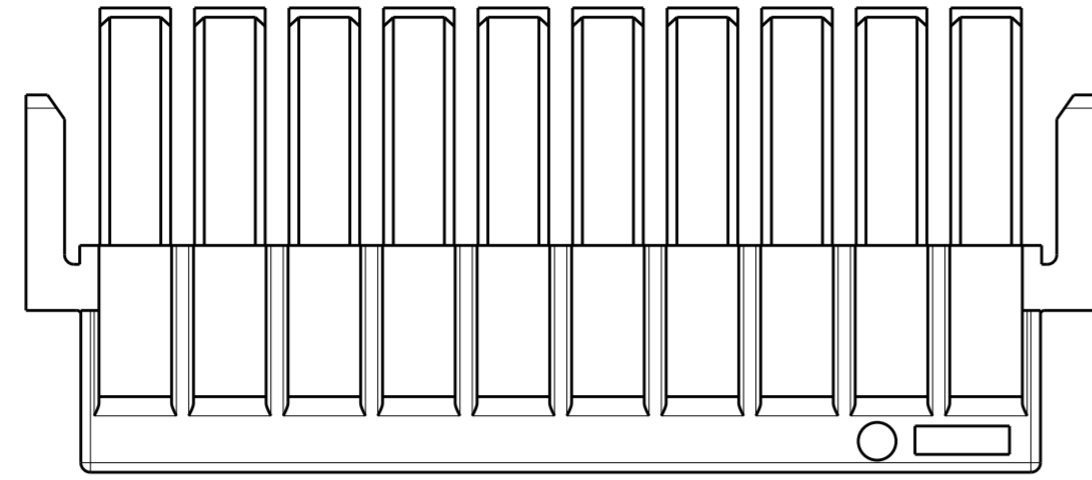


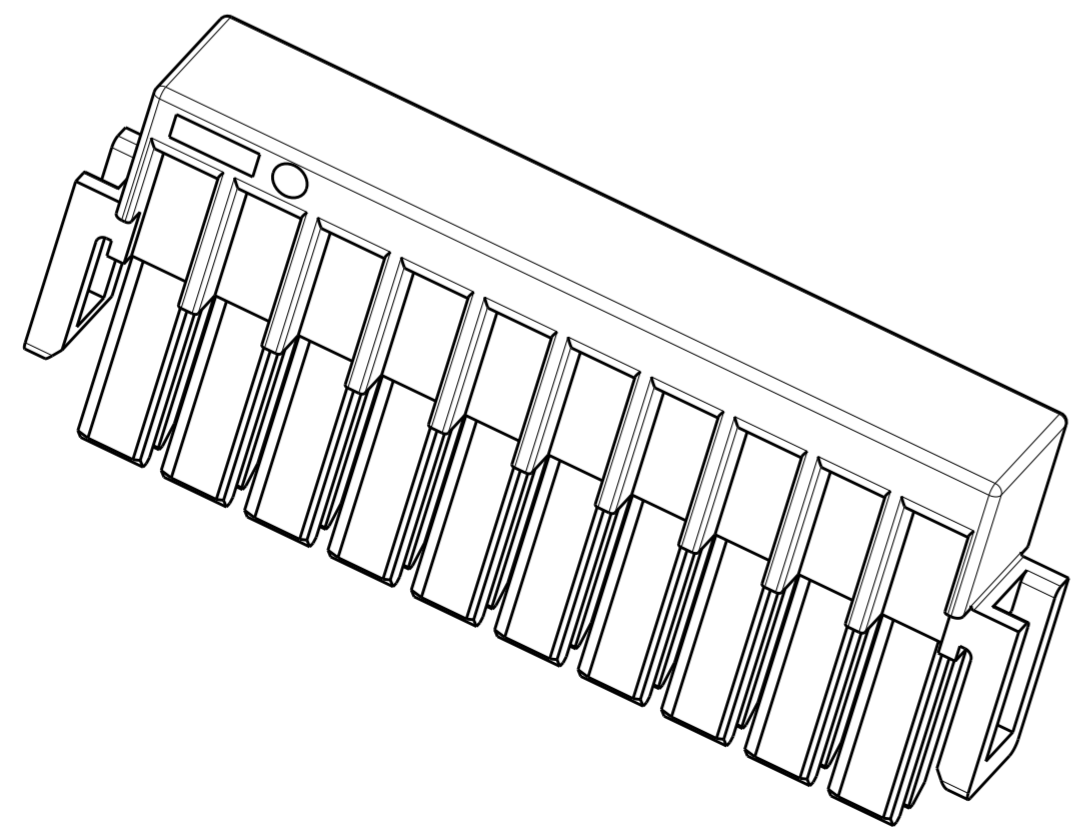
THIS DRAWING IS UNPUBLISHED. RELEASED FOR PUBLICATION 20
 © COPYRIGHT 20 BY - ALL RIGHTS RESERVED.

REVISIONS				
P	LTR	DESCRIPTION	DATE	APVD
	A1	RELEASED PER ECR-18-015005	13NOV2018	WH DZ




NOTES:

- 1.MATERIAL: HIGH PERFORMANCE RESIN, UL94-V0, BLACK
- 2.MATES WITH CORRESPONDING
 PLUG HOUSING: X-1969540-X & X-1969567-X
 CAP HOUSING: X-1969592-X , X-1969593-X,
 X-1969594-X & 1969595-X



53.28 [2.098]	4-2315219-0
50.78 [1.999]	3-2315219-8
48.28 [1.901]	3-2315219-6
45.78 [1.802]	3-2315219-4
43.28 [1.704]	3-2315219-2
40.78 [1.605]	3-2315219-0
38.28 [1.507]	2-2315219-8
35.78 [1.409]	2-2315219-6
33.28 [1.310]	2-2315219-4
30.78 [1.212]	2-2315219-2
28.28 [1.113]	2-2315219-0
25.78 [1.015]	1-2315219-8
23.28 [.916]	1-2315219-6
20.78 [.818]	1-2315219-4
18.28 [.720]	1-2315219-2
15.78 [.621]	1-2315219-0
13.28 [.523]	2315219-8
DIM "N"	PART NO

THIS DRAWING IS A CONTROLLED DOCUMENT.		DWN R SMITH 10JAN2017	 TE Connectivity	
DIMENSIONS: mm		CHK CHONG YI 10JAN2017		
TOLERANCES UNLESS OTHERWISE SPECIFIED:		APVD CHONG YI 10JAN2017	NAME TPA, HOUSING, SOCKET, EP 2.5, DUAL ROW	
0 PLC ±		PRODUCT SPEC 108-2418	SIZE A2	
1 PLC ±0.5		APPLICATION SPEC 114-13315	CAGE CODE -	DRAWING NO G-2315219
2 PLC ±0.13		WEIGHT -	RESTRICTED TO -	SCALE N/A
3 PLC ±0.05		MATERIAL -	CUSTOMER DRAWING	SHEET 1 OF 1
4 PLC ±0.05		COLOR -BLACK	REV A1	
ANGLES ±				
FINISH -				