

# SPECIFICATIONS

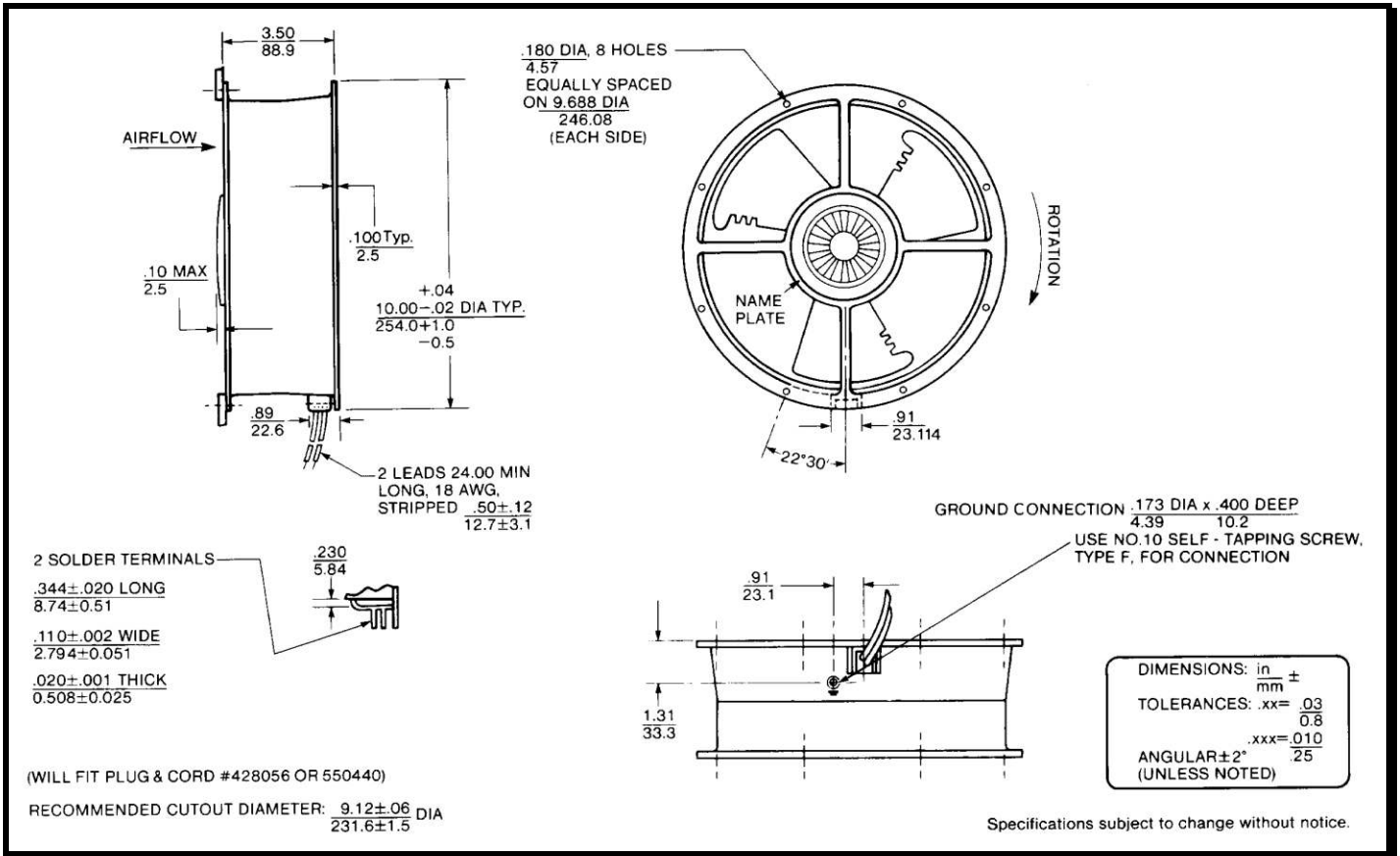
(RoHS Compliant)



**Model Number:** CLE3T2  
**Part Number:** 19020191A

**Version:** 02  
**Aug 07, 2018**

## Mechanical Drawing:



### Motor:

Nominal Voltage = 230 VAC  
 Frequency = 50 / 60 Hz  
 Nominal Running Current = 0.24 / 0.25 Amps  
 Max. Locked Rotor Current = 0.355 amps  
 Running Power = 60/60 Watts  
 Average Speed = 1400 / 1650 RPM  
 Bearings = Ball  
 Air Flow = 455 / 550 CFM  
 Acoustic = 45.4 / 49.2 dBA

### Construction:

Venturi: Single Piece Die Cast Aluminum, Black  
 Propeller: Plastic, Black, UL 94V-0

### Life Expectancy:

This fan is designed for continuous duty life of 46,000 hours at 70°C.

### Additional Features:

Permanent Split Capacitor Motor  
 Automatic Reset Thermal Protector  
 Feathered Edge Propeller  
 Operating Temperature: -10°C to 70°C  
 Storage Temperature: -40°C to 85°C

### Termination:

2 x 0.110" Terminals

### Agency Approvals:

UL, CUL, CE

**PQ Curve:**

